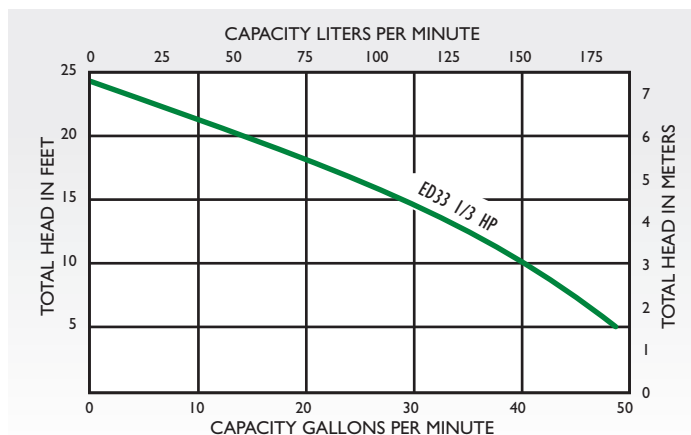


# ED33 SERIES

## 1/3 HP Sink Pump System

### SPECIFICATIONS

Applications	Laundry Trays, Wet Bars, Beautician or Utility Sinks, Dehumidifier/Air-Conditioning Units	
Capacities	48 GPM	182 LPM
Shut-off Head	24'	7.3 m
Operation: On	6 1/2"	165 mm
Off	2"	50 mm
Solids Handling	1/2"	12.7 mm
Liquids Handling	drainage effluent	
Intermittent Liquid Temp.	130°F	54°C
Motor Electrical Data	1/3 HP, 115V, 9.8 FLA, 1Ø, 60Hz	
Acceptable pH Range	5-9	
Shaft Seal	carbon & ceramic	
Housing	heavy cast iron	
Power Cord	10' (3 m), grounded SJTW, SJTW, SJTW-A	
Discharge, NPT	1-1/2"	



### FEATURES

- 1/3 HP
- Pre-packaged sink/pump system is ready for quick application
- Basin Features: High-impact engineered resin, exterior hardware and stainless steel construction
- 1-1/2" (38 mm) NPT discharge
- Carbon/ceramic shaft seal
- Piggyback-style float for automatic or manual operation
- Oil-filled motor with automatic reset overload provides safe operation
- Octagonal shape, compact size, 6-gallon useable capacity
- Easily replaceable power cord with optional lengths available
- Molded reusable PNC gasket lid seal
- Basin dimensions are 15-1/16" W x 13 3/8" H (11-9/16" from floor to center of inlet)

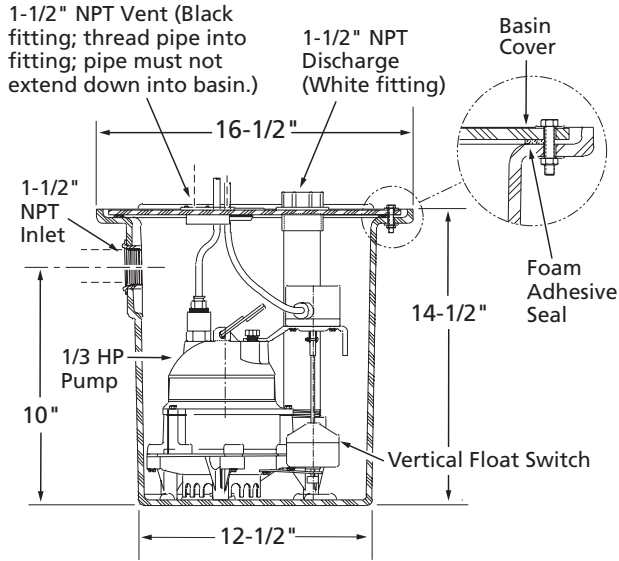


# SUMP PUMPS

## ED33 SERIES

### 1/3 HP Sink Pump System

#### OUTLINE DIMENSIONS



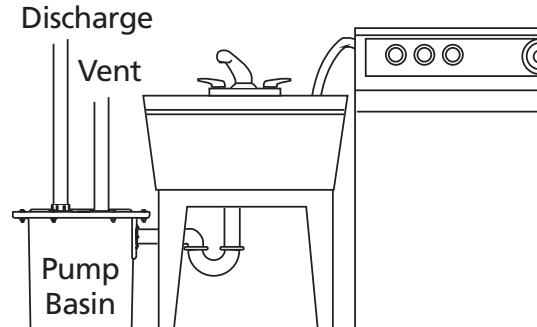
Dimensions (in inches) are for estimating purposes only.

#### PUMP PERFORMANCE

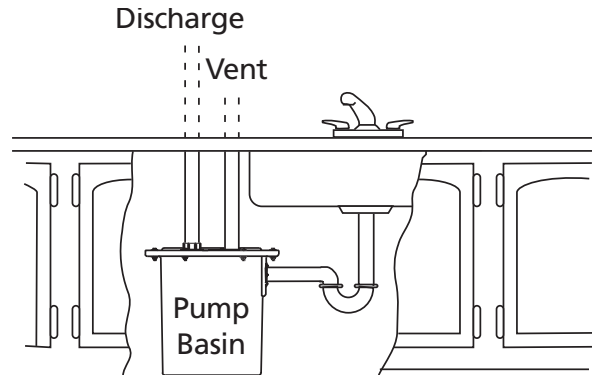
Vertical Lift Feet/Meters	5/1.5	10/3	15/4.6	20/6.1	Shut Off 24/7.3
Gallons/Liters per Minute	48/182	40/151	29/110	15/57	No Flow

#### TYPICAL INSTALLATIONS

##### LAUNDRY TRAY/ UTILITY SINK INSTALLATION



##### WET BAR INSTALLATION



##### DEHUMIDIFIER/AIR CONDITIONING INSTALLATION

