

PRODUCT BULLETIN MODEL NOVO AD-4

PUMP SPECIFICATIONS

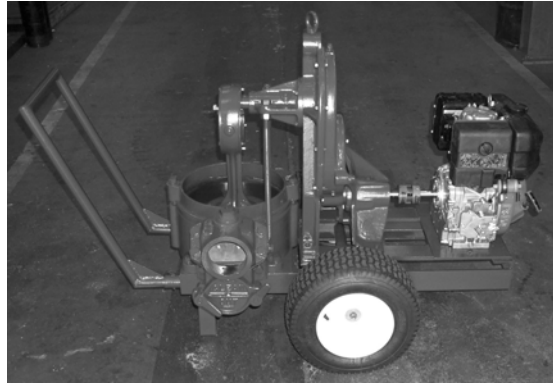
Size: 4" x 4" NPT
Maximum Diameter Spherical Solids: 3"
Discharge Flange: Class 30 Cast Iron
Suction Flange: Class 30 Cast Iron
Eccentric Cam: Class 30 Cast Iron
Eccentric Bearing: Sleeve
Gear Housing: Class 30 Cast Iron
Gear Housing Cover: Class 30 Cast Iron
Gears: Class 30 Cast Iron
Drive Pinion: Carbon Steel
Cross Head: Class 30 Cast Iron
Diaphragm: Neoprene with Nylon Cloth
Pump Bottom: Class 30 Cast Iron
Pump Top: Class 30 Cast Iron
Suction Valve: Neoprene with Nylon Cloth
Discharge Valve: Neoprene with Nylon Cloth
Small Valve Weight: Carbon Steel
Large Valve Weight: Carbon Steel

PUMP DATA

Maximum RPM: 60 Strokes/Minute
Horse Power Required: 3 HP
Gear Ratio: 30:1
Mounting: 2 Wheel Truck Assembly with
Pneumatic Tires, 12" x 3" Standard

PUMP WEIGHTS

Skid Mounted: 565 pounds
Hand Cart: 625 pounds
Fully Meets A-A-52315, Style B Specifications

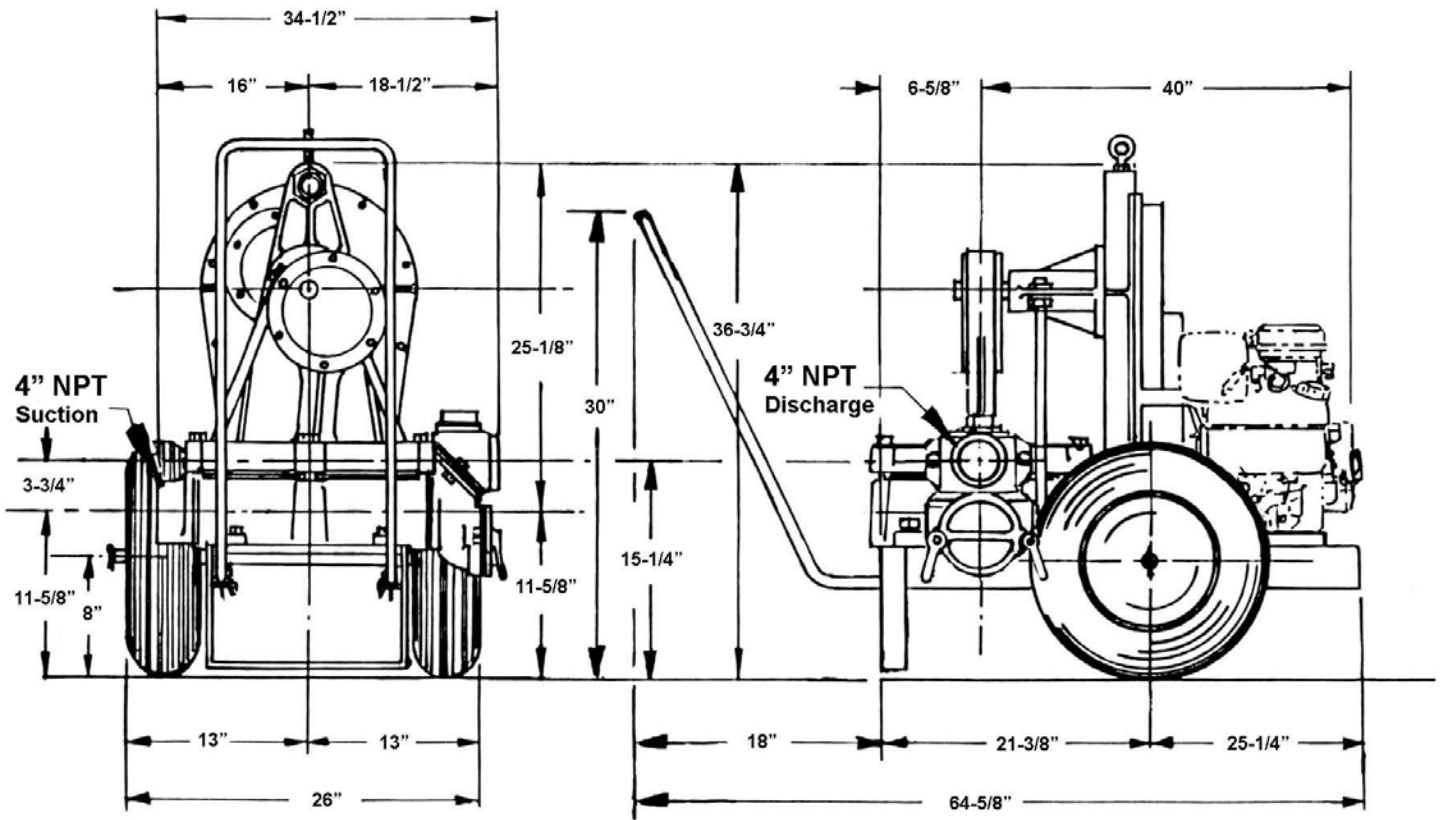


ENGINE SPECIFICATIONS

Model: Lombardini 15LD315
Type: Air Cooled, Diesel
Oil Filter: Internal
Air Filter: Dry, Replaceable
Fuel Filter: External
Fuel Shutoff: External
Fuel Tank: 1.06 Gallons
Starter: Rope, Recoil
Standard Features:
Muffler with Guard
Manual Throttle with Choke
Control

Maximum Continuous HP 5.2 @ 3600
RPM

TACOM 100 GPM WATER PUMP ASSEMBLY



NOVO AD-4 4" Simplex Diaphragm Pump

Suction Lift (Feet)	Flow (GPM)
5	120
10	115
15	105
20	85
25	80

Test Performance:

Above performance with pump operating at 60 strokes per minute with 68°F clear water at seal level using a 4 inch, non-collapsible suction hose and a 4 inch, non-collapsible