



Self-Priming Diaphragm Pumps

- **Aluminum Construction**
(Except 2D models which are Cast Iron)
- **Self-priming to 25 Ft.**
- **Neoprene or "DuraBlue 1000™" Diaphragm Material**
- **2", 3" and 4" NPT Port Sizes**
- **Solids Handling Capabilities to 2-1/4" Diameter**
- **Driver Options: ODP Electric Motor, Explosion-Proof Electric Motor, Gasoline Engine, or Basic Unit (less driver)**
- **Delivers up to 130 GPM**
- **Two (2) Wheel Truck Assembly Standard (Except 2D Models - Which are Furnished with a Stationary Base.)**

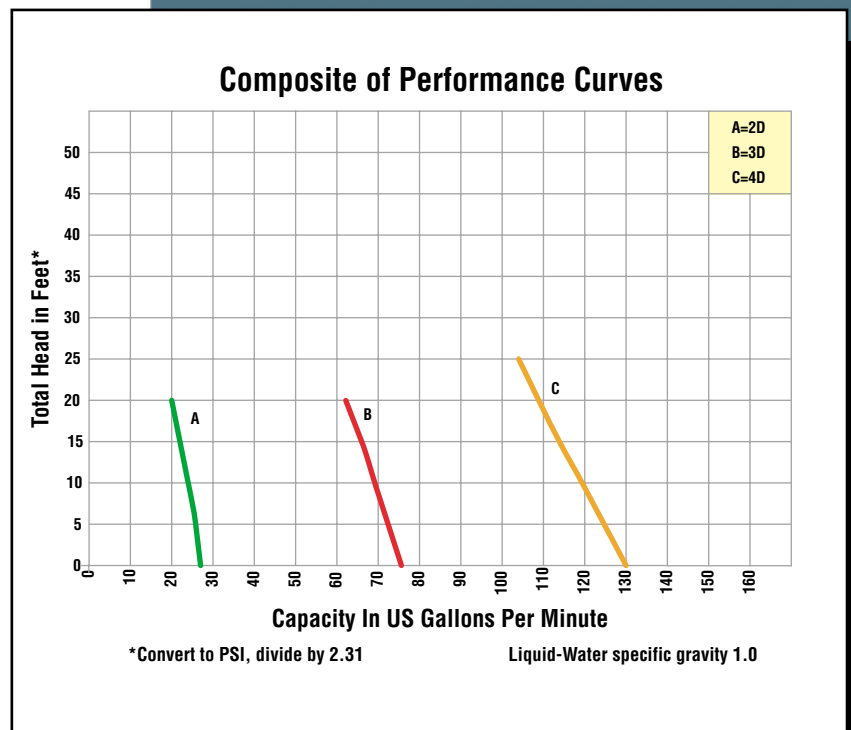


Model 3D-X1.5 1P

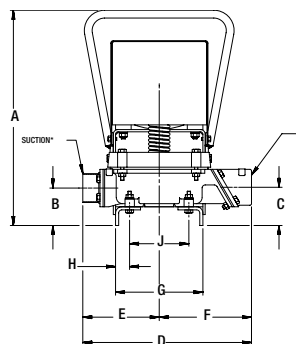


Model 2D

The Gorman-Rupp line of diaphragm pumps is designed to pump sludge, sewage, mud, and other heavy liquids that have the ability to flow. All models are self-priming, have built-in flap valves, and include a suction strainer. The 3" and 4" models are furnished with a two wheel truck assembly. Models are available with an explosion-proof motor, ODP electric motor, gasoline engine, or as a basic model, less driver (furnished with a flex coupling). Standard diaphragms are "DuraBlue 1000™" in 3" and Neoprene in 2" pump and 4" pumps.



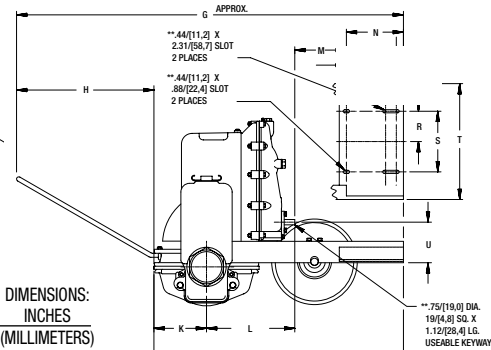
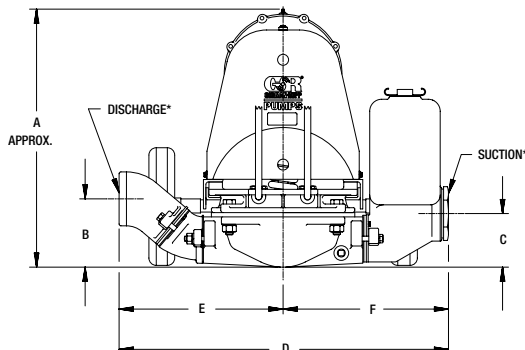
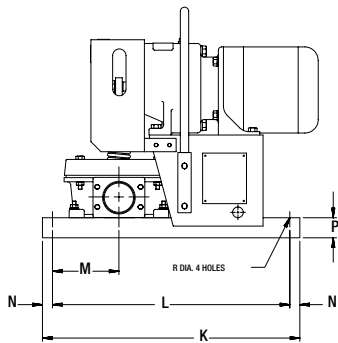
Diaphragm Pumps



MODEL	A	B	C	D	E	F	G	H	J	K	L	M	N	P	R	SUCT*	DISCH*
2D-E.50 1P	17.25 (438.2)	3.00 (76.2)	3.00 (76.2)	13.52 (343.4)	6.00 (152.4)	7.39 (187.7)	7.00 (177.8)	1.12 (28.4)	4.75 (120.6)	19.25 (489.0)	17.75 (450.9)	5.00 (127.0)	0.75 (19.0)	1.50 (38.1)	0.41 (10.4)	2.00	2.00
2D-E.50 3P	17.25 (438.2)	3.00 (76.2)	3.00 (76.2)	13.52 (343.4)	6.00 (152.4)	7.39 (187.7)	7.00 (177.8)	1.12 (28.4)	4.75 (120.6)	19.25 (489.0)	17.75 (450.9)	5.00 (127.0)	0.75 (19.0)	1.50 (38.1)	0.41 (10.4)	2.00	2.00
2D-X.75 1P	17.25 (438.2)	3.00 (76.2)	3.00 (76.2)	13.52 (343.4)	6.00 (152.4)	7.39 (187.7)	7.00 (177.8)	1.12 (28.4)	4.75 (120.6)	19.25 (489.0)	17.75 (450.9)	5.00 (127.0)	0.75 (19.0)	1.50 (38.1)	0.41 (10.4)	2.00	2.00
2D-E.75 3P	17.25 (438.2)	3.00 (76.2)	3.00 (76.2)	13.52 (343.4)	6.00 (152.4)	7.39 (187.7)	7.00 (177.8)	1.12 (28.4)	4.75 (120.6)	19.25 (489.0)	17.75 (450.9)	5.00 (127.0)	0.75 (19.0)	1.50 (38.1)	0.41 (10.4)	2.00	2.00

(*) STANDARD NPT PIPE THREADS

2" MOTOR DRIVEN & BASIC DIAPHRAGM PUMPS



DIMENSIONS:
INCHES
(MILLIMETERS)

MODEL	A	B	C	D	E	F	G	H	J	K	L	M	N	P	Q	R	S	T	U	SUCT*	DISCH*
3D-B	22.26 (565.4)	5.69 (144.5)	3.63 (92.1)	28.25 (717.6)	13.69 (347.7)	14.56 (369.9)	49.4 (1255.7)	19.50 (495.3)	29.94 (760.4)	6.50 (165.1)	12.31 (312.7)	N/A	N/A	N/A	N/A	N/A	N/A	N/A	N/A	2.00/ 3.00	3.00
3D-E1.5 1P	22.26 (565.4)	5.69 (144.5)	3.63 (92.1)	28.25 (717.6)	13.69 (347.7)	14.56 (369.9)	49.4 (1255.7)	19.50 (495.3)	29.94 (760.4)	6.50 (165.1)	12.31 (312.7)	N/A	N/A	N/A	N/A	N/A	N/A	N/A	N/A	2.00/ 3.00	3.00
3D-E1.5 3P	22.26 (565.4)	5.69 (144.5)	3.63 (92.1)	28.25 (717.6)	13.69 (347.7)	14.56 (369.9)	49.4 (1255.7)	19.50 (495.3)	29.94 (760.4)	6.50 (165.1)	12.31 (312.7)	N/A	N/A	N/A	N/A	N/A	N/A	N/A	N/A	2.00/ 3.00	3.00
3D-X1.5 1P	22.26 (565.4)	5.69 (144.5)	3.63 (92.1)	28.25 (717.6)	13.69 (347.7)	14.56 (369.9)	49.4 (1255.7)	19.50 (495.3)	29.94 (760.4)	6.50 (165.1)	12.31 (312.7)	N/A	N/A	N/A	N/A	N/A	N/A	N/A	N/A	2.00/ 3.00	3.00
3D-X1.5 3P	22.26 (565.4)	5.69 (144.5)	3.63 (92.1)	28.25 (717.6)	13.69 (347.7)	14.56 (369.9)	49.4 (1255.7)	19.50 (495.3)	29.94 (760.4)	6.50 (165.1)	12.31 (312.7)	N/A	N/A	N/A	N/A	N/A	N/A	N/A	N/A	2.00/ 3.00	3.00
3D-13	22.26 (565.4)	5.69 (144.5)	3.63 (92.1)	28.25 (717.6)	13.69 (347.7)	14.56 (369.9)	49.4 (1255.7)	19.50 (495.3)	29.94 (760.4)	6.50 (165.1)	12.31 (312.7)	N/A	N/A	N/A	N/A	N/A	N/A	N/A	N/A	2.00/ 3.00	3.00
4D-B	26.32 (668.5)	6.96 (176.8)	5.47 (138.9)	33.60 (853.4)	16.73 (424.9)	16.87 (428.5)	54.25 (1378.0)	19.25 (489.0)	35.00 (889.0)	7.38 (187.4)	12.38 (314.2)	7.25 (184.2)	8.00 (203.2)	7.00 (177.8)	5.50 (139.7)	5.50 (108.0)	5.50 (215.9)	5.50 (412.8)	5.50 (133.4)	3.00/ 4.00	4.00
4D-E3 3P	26.32 (668.5)	6.96 (176.8)	5.47 (138.9)	33.60 (853.4)	16.73 (424.9)	16.87 (428.5)	51.66 (1378.0)	19.25 (489.0)	32.38 (889.0)	7.38 (187.4)	12.38 (314.2)	N/A	N/A	N/A	N/A	N/A	N/A	N/A	N/A	3.00/ 4.00	4.00
4D-X3 1P	26.32 (668.5)	6.96 (176.8)	5.47 (138.9)	33.60 (853.4)	16.73 (424.9)	16.87 (428.5)	51.66 (1378.0)	19.25 (489.0)	32.38 (889.0)	7.38 (187.4)	12.38 (314.2)	N/A	N/A	N/A	N/A	N/A	N/A	N/A	N/A	3.00/ 4.00	4.00
4D-X3 3P	26.32 (668.5)	6.96 (176.8)	5.47 (138.9)	33.60 (853.4)	16.73 (424.9)	16.87 (428.5)	51.66 (1378.0)	19.25 (489.0)	32.38 (889.0)	7.38 (187.4)	12.38 (314.2)	N/A	N/A	N/A	N/A	N/A	N/A	N/A	N/A	3.00/ 4.00	4.00

(*) STANDARD NPT PIPE THREADS (**) MODELS 4D ONLY

3" & 4" MOTOR DRIVEN & BASIC DIAPHRAGM PUMPS

Model No.	Curve	Description/ Type of Pump	Ship Wt (Lbs)	Driver Type & HP	Port size Suc x dis (NPT)	Basic Construction	Seal Type & Elastomer/ Faces	VAC or Tank Size	FL Amps or Run time	Motor Enclosure
2D-E-50 1P	A	Diaphragm Pumps	120	Electric Motor	2" x 2"	C.I.	Neoprene	115/230 1P		ODP
2D-E-50 3P	A	Diaphragm Pumps	120	Electric Motor	2" x 2"	C.I.	Neoprene	230/460 3P		ODP
2D-X.75 1P	A	Diaphragm Pumps	120	Electric Motor	2" x 2"	C.I.	Neoprene	115/230 1P		Exp. Proof
2D-X.75 3P	A	Diaphragm Pumps	120	Electric Motor	2" x 2"	C.I.	Neoprene	230/460 3P		Exp. Proof
3D-B	B	Diaphragm Pumps	181	N/A	3" or 2" x 3"	Alum.	DuraBlue™ Elastomer	N/A		For 145T
3D-E1.5 1P	B	Diaphragm Pumps	260	Electric Motor	3" or 2" x 3"	Alum.	DuraBlue™ Elastomer	115/230 1P		ODP
3D-E1.5 3P	B	Diaphragm Pumps	260	Electric Motor	3" or 2" x 3"	Alum.	DuraBlue™ Elastomer	230/460 3P		ODP
3D-X1.5 1P	B	Diaphragm Pumps	300	Electric Motor	3" or 2" x 3"	Alum.	DuraBlue™ Elastomer	115/230 1P		Exp. Proof
3D-X1.5 3P	B	Diaphragm Pumps	300	Electric Motor	3" or 2" x 3"	Alum.	DuraBlue™ Elastomer	230/460 3P		Exp. Proof
3D-13	B	Diaphragm Pumps	204	B&S 5HP	2" x 3"	Alum.	DuraBlue™ Elastomer	3 Gal.	1.88	N/A
4D-B	C	Diaphragm Pumps	345	N/A	4" or 3"x4"	Alum.	Neoprene	N/A	N/A	For 182T & 184T
4D-E3 3P	C	Diaphragm Pumps	420	Electric Motor	4" or 3"x4"	Alum.	Neoprene	230/460 3P		ODP
4D-X3 1P	C	Diaphragm Pumps	440	Electric Motor	4" or 3"x4"	Alum.	Neoprene	115/230 1P		Exp. Proof
4D-X3 3P	C	Diaphragm Pumps	440	Electric Motor	4" or 3"x4"	Alum.	Neoprene	230/460 3P		Exp. Proof

Standard Features

➤ Built-in flapper valves

➤ Includes suction strainer

➤ Models 3D-B & 4D-B are basic pumps less motor (furnished with flexible coupling)

WARNING: Do not use in explosive atmosphere or for pumping volatile flammable liquids.

See price book page 14

The Gorman-Rupp Company reserves the right to discontinue any model or change specifications at any time without incurring any obligation.

CP37-38/1206

