

PART #	POWER		DISCHARGE INCH	PHASE	START METHOD	LIQUID MAX	HEAD FT	CAPACITY GPM	AMPS	WGT LBS	SOLID PASS	DIMENSION	
	HP	KW										DIA	HGT
RP0302S22	2	1.5	3	1	CAP	40 C	30	132	9.0	95	0.31	9.37"	24.25"
RP0403S22	3	2.2	4	1	CAP	40 C	33	212	13.4	103	0.43	9.37"	24.25"
RP0405T22	5	3.7	4	3	DIRECT	40 C	36	264	12.8/6.4	103	0.43	9.37"	22.09"
RP0875T22	7.5	5.5	8	3	DIRECT	40 C	13	1058	18.3/9.2	268	0.87	13.39"	36.34"
RP1010T22	10	7.5	10	3	DIRECT	40 C	13	1455	24.3/12.1	361	0.87	14.96"	39.96"
RP1215T22	15	11	12	3	DIRECT	40 C	15	1852	35.7/17.9	460	0.90	16.93"	42.40"
RP1220T44	20	15	12	3	DIRECT	40 C	20	2116	22.6	485	0.90	16.93"	42.52"

Based on our policy of improving and developing products, we reserve the right to alter specifications of our product at any time without giving prior notice.

RP SERIES PUMPS

BY MUNRO

ULTIMATE WATER FEATURE PUMP - HIGH VOLUME, LOW HEAD



SELF COOLING DESIGN FOR LONG LIFE



FOR MORE INFORMATION ABOUT OTHER INNOVATIVE PRODUCTS BY MUNRO, CALL FOR THE DISTRIBUTOR NEAREST YOU

PH: 800.942.4270 • FAX: 970.263.2277

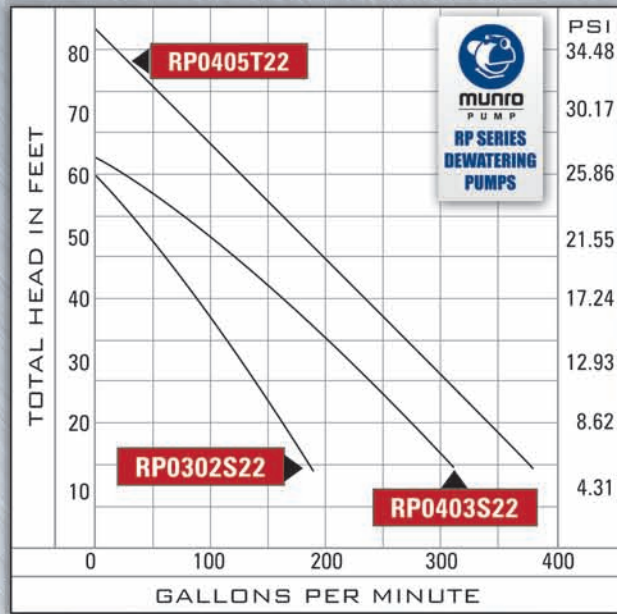
E-MAIL: MPI@munrocompanies.com • WEBSITE: www.munropump.com

MPI / RP SERIES / REV0808



MUNRO PUMP INC.
A MUNRO COMPANY

MODELS: RP0405T22/0403S22/0302S22



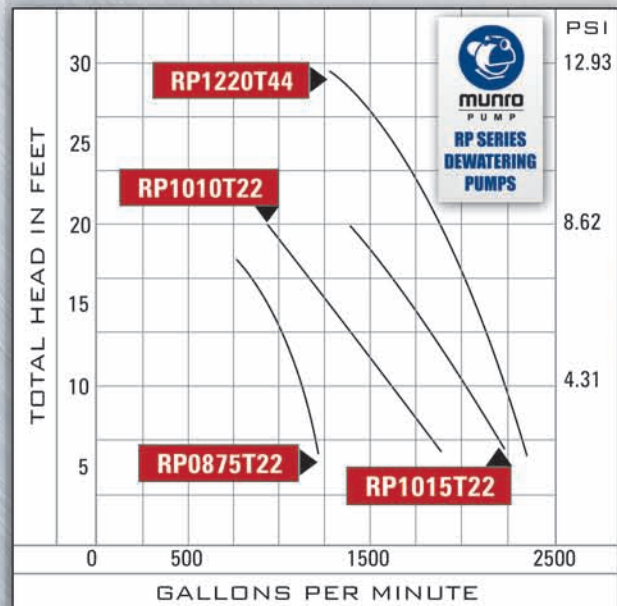
FEATURES

- Standard design provides automatic thermal cut-out protection to prevent motors from overheating.
- Abrasion resistant double mechanical shaft seal and additional oil reserve seal.
- Superior design of water-cooled motor ensures long operation life with high efficiency and energy savings.
- Adaptable for above and underground surface water - the strainer can be easily removed and replaced with a check valve for underground applications.

APPLICATIONS

- Water supply for agricultural irrigation systems and underground water pumping.
- Landscape, water feature and horticulture irrigation.
- Extraction of water from rivers, lakes and reservoirs.

MODELS: RP1215T22/0875T22/1220T44/1010T22



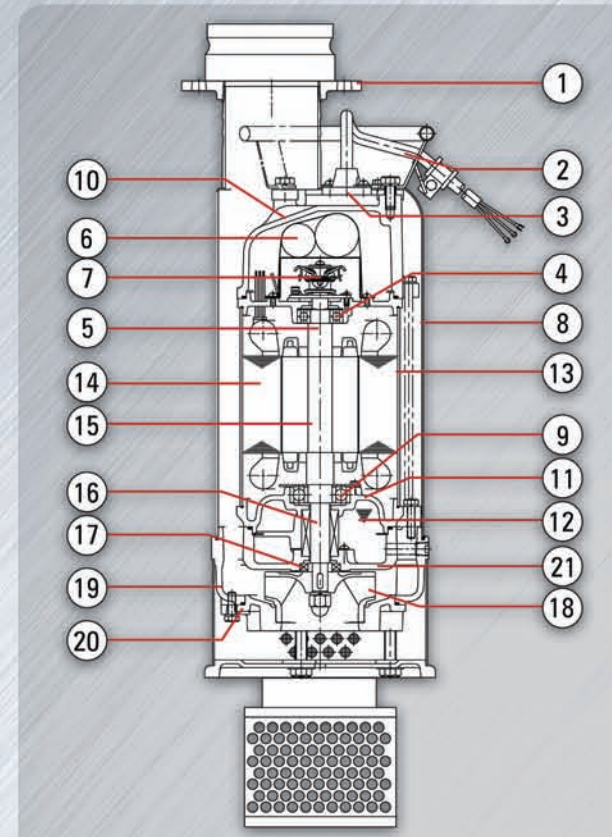
FEATURES

- Standard design provides large flow capacities achieved with almost no vibration or noise
- Quality parts are used to increase efficiency - double mechanical shaft seal to protect motor and impeller flow guide vane for increased efficiency.
- Simple to operate and maintain.

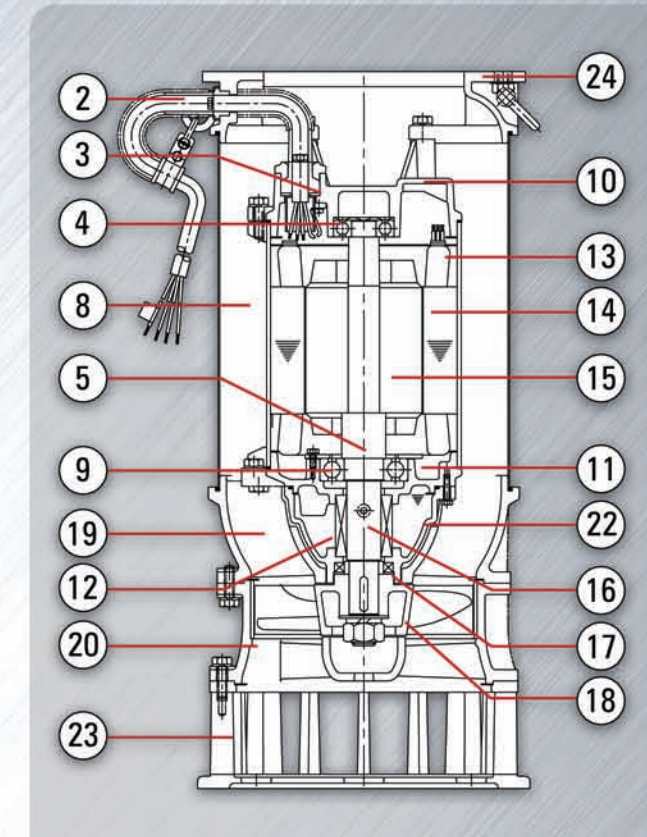
APPLICATIONS

- Aquaculture water pumping and drainage for large volume water applications.
- Water supply for landscape and water features.
- Water extracting from rivers, lakes and reservoirs.
- Flood control.

MODELS: RP0405T22/0403S22/0302S22



MODELS: RP1215T22/0875T22/1220T44/1010T22



REFERENCE NUMBER	PART DESCRIPTION	RP0302S22 RP0403S22 RP0405T22	RP0875T22 RP1010T22 RP1215T22 RP1220T44
1	FLANGE		
2	CABLE	VCT	VCT
3	CABLE BASE		
4	UPPER BEARING		
5	MAIN SHAFT	SUS403	SUS304 (15HP: SUS420J2)
6	CAPACITOR		
7	CENTRIFUGAL SWITCH		
8	OUTTER COVER	SUS304	
9	LOWER BEARING		
10	INTERNAL UPPER COVER	FC-200	BRONZE
11	BEARING BRACKET		
12	LUBRICANT		
13	MOTOR FRAME	SUS304	SUS304
14	STATOR		
15	ROTOR		
16	MECHANICAL SEAL	SIC/SIC	CA/CE
17	OIL SEAL		
18	IMPELLER	BRONZE	BRONZE
19	CASING	FC-200	FC-200
20	CASING COVER		
21	MECHANICAL SHAFT BRACKET		
22	MECHANICAL SHAFT CHAMBER		
23	BASE STAND		
24	OUTTER UPPER COVER		