

# 3WHV and V3WHV

3" Non-Clog Wastewater Pumps  
Horizontal and Vertical Discharge



**T**HE 3WHV AND V3WHV SERIES NON-CLOG PUMPS ARE DESIGNED PRIMARILY FOR COMMERCIAL APPLICATIONS SUCH AS: schools and churches, industrial plants, shopping centers, apartments and condominiums, marinas, interstate rest stops, sewage collection systems, campgrounds, motels, restaurants, office and commercial buildings, state and federal parks, hospitals and nursing homes, dewatering, trailer parks and treatment plants. This pump can be installed on legs (vertical discharge) or with a quick-disconnect slide rail system. Its ability to handle 2½-inch spherical solids makes it ideal for most light to medium commercial installations. For more information, contact your Myers distributor, or the Myers Ohio sales office at 419/289-1144.

## ADVANTAGES BY DESIGN

**HIGH EFFICIENCY HYDRAULIC DESIGN CUTS PUMPING COSTS AND EXTENDS LIFE OF FLUID END COMPONENTS.**

- Two-vane rounded port impellers handle solids with ease at high operating efficiencies.
- Modified constant velocity volute offers quiet operation, low radial loads over extended portion of performance curve.

**DURABLE MOTOR WILL PROVIDE MANY YEARS OF RELIABLE SERVICE.**

- Oil-filled for maximum heat dissipation and continuous bearing lubrication.
- On winding overload (single phase only) protects motor from over current and heat conditions.

Capacities To	400 gpm	25.24 lps
Heads To	48 ft.	14.6 m
Solids Handling Capacity (dia.)	2½ in.	63.5 mm
Liquids Handling	raw, unscreened sewage, rain water, effluent	
Intermittent Liquid Temp.	140°F	60°C
Winding Insulation Temp. (Class B)	266°F	130°C
Available Motors <small>(Single phase motors are capacitor start-type. Myers control panels or capacitor kits are required for proper operation and warranty)</small>	1750 rpm, 1-5 HP 230V, 1Ø, 60 Hz 1-5 HP 208/230/460/575V 3Ø, 60 Hz	
Third Party Approval	CSA	
Acceptable pH Range	6 - 9	
Specific Gravity	.9 - 1.1	
Viscosity	28-35 SSU	
Discharge, Flanged Centerline (Horizontal or Vertical)	3 in.	76.2 mm
Minimum Sump Dia. (Duplex)	60 in.	1.5 m
ETL Listing	Class 1, Div. 2 Group D Class 2, Div. 2 Group F, G Class 3, Div. 1, 2	

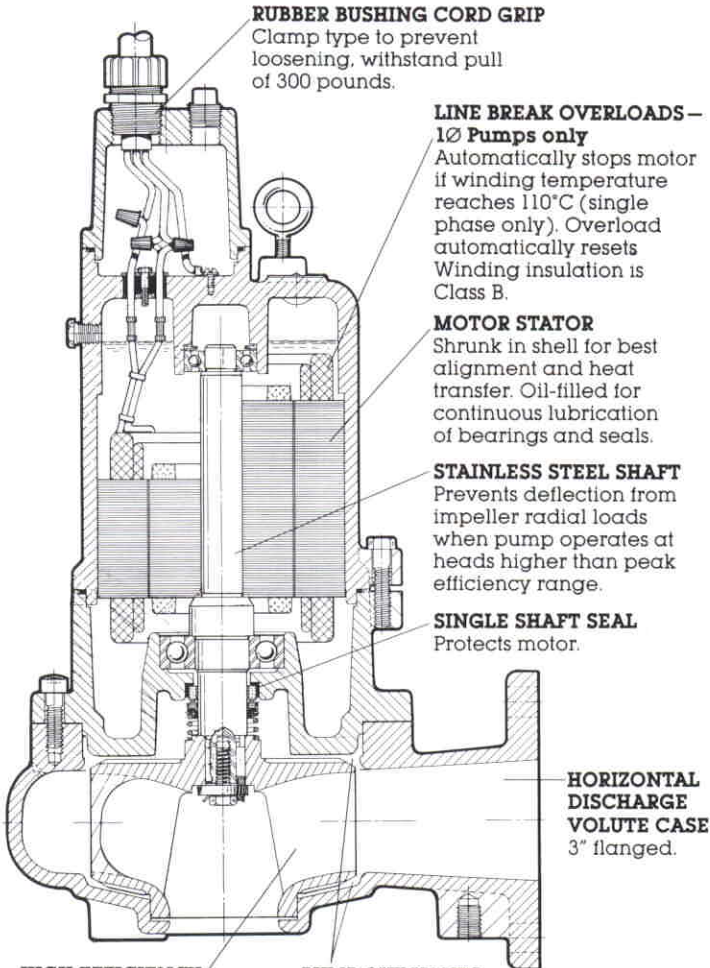
Construction Materials	
Motor Housing, Seal Housing, Cord Cap, Volute Case	cast iron, class 30 ASTM A48
Enclosed 2-Vane Impeller	ductile iron, class 65 ASTM A536
Power, Control Cords	SOW/SOWA, 20 ft.
Mechanical Seal	single, type 21 standard-carbon/ceramic optional-tungsten carbide
Pump, Motor Shaft	416 SST
Fasteners	300 series SST

WHERE INNOVATION MEETS TRADITION

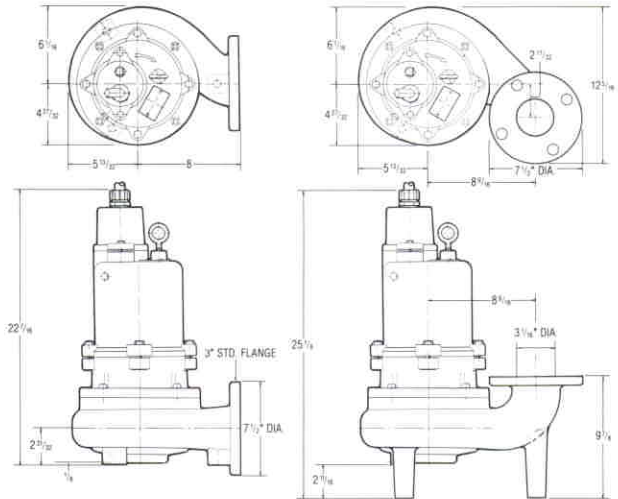
**Myers®**  
Pentair Pump Group

# 3WHV and V3WHV

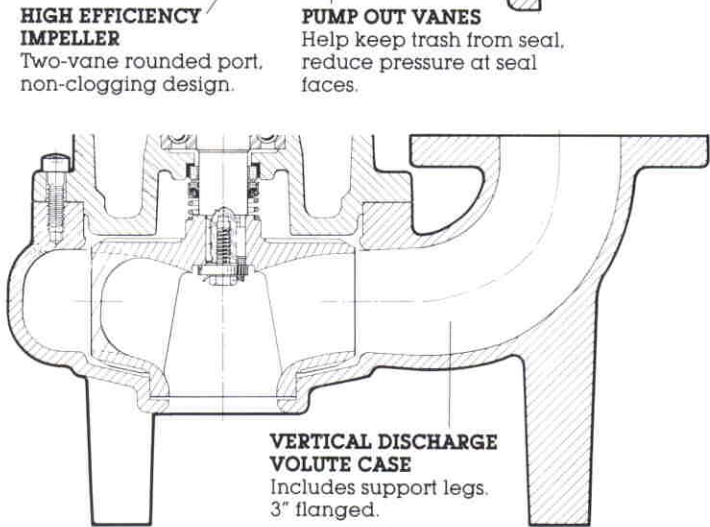
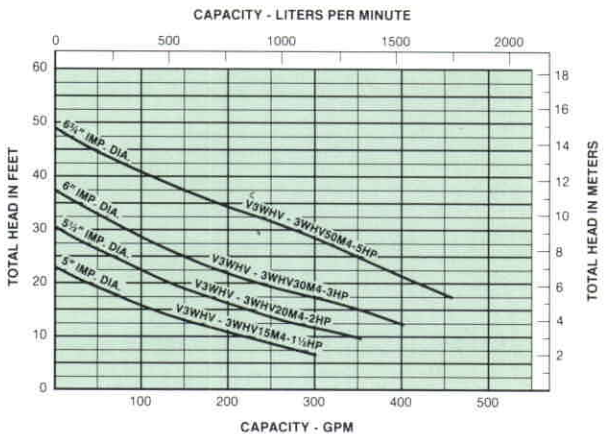
3" Non-Clog Wastewater Pumps  
Horizontal and Vertical Discharge



## DIMENSIONS



## PERFORMANCE CURVE



**Myers®**  
Pentair Pump Group

F. E. Myers, 1101 Myers Parkway, Ashland, Ohio 44805-1969  
419/289-1144, FAX: 419/289-6658, [www.femyers.com](http://www.femyers.com)

Myers (Canada), 269 Trillium Drive, Kitchener, Ontario N2G 4W5  
519/748-5470, FAX: 519/748-2553