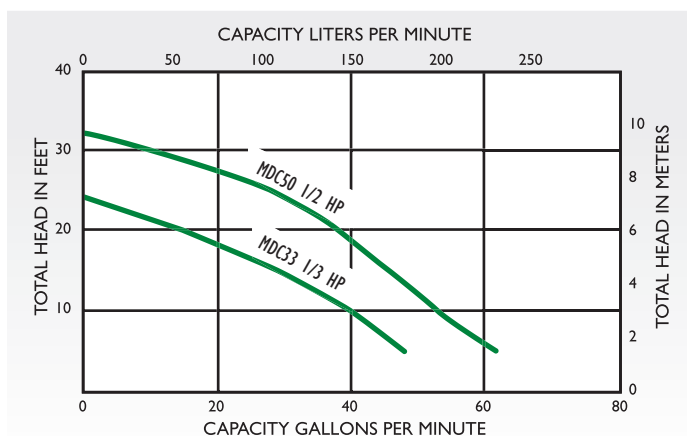


MDC33/MDC50 SERIES

1/3 and 1/2 HP Cast Iron Submersible Sump Pumps

SPECIFICATIONS

Applications	Basement Sumps, Dewatering, Light Effluent, Water Transfer	
Capacities	62 GPM	234 LPM
Shut-off Head	32'	9.75 m
Operation: Manual		
Tethered models: On	12-1/2"	318 mm
Off	3-1/2"	89 mm
Vertical models: On	6-1/2"	165 mm
Off	2"	51 mm
Solids Handling	1/2"	12.7 mm
Liquids Handling	drainage effluent	
Continuous Liquid Temp.	130°F	54°C
Motor Electrical Data	1/3 HP, 9.8A; 1/2 HP, 12A; shaded pole w/thermal overload protection, 115V, 1Ø, 60Hz, 1550 RPM	
Acceptable pH Range	6-9	
Shaft Seal	carbon & ceramic	
Housing	heavy cast iron	
Power Cord	10' (3 m) or 20' (6 m), 16/3, SJTW, SJTW-A	
Discharge, NPT	1-1/2"	
Min. Sump Diameter		
Float:	14"	356 mm
Vertical:	10"	254 mm



FEATURES

- 1/3 or 1/2 HP
- Rugged cast iron pump body and motor cover, exterior hardware stainless steel construction
- 1-1/2" (38 mm) NPT discharge
- Carbon/ceramic shaft seal
- Piggyback-style float for automatic or manual operation
- Oil-filled motor with automatic reset overload provides safe operation
- Ball-bearing construction for long life
- Easily replaceable power cord with optional lengths available



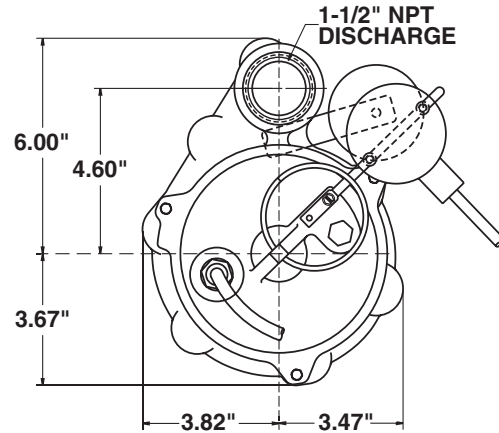
SUMP PUMPS

MDC33/MDC50 SERIES

1/3 and 1/2 HP Cast Iron Submersible Sump Pumps

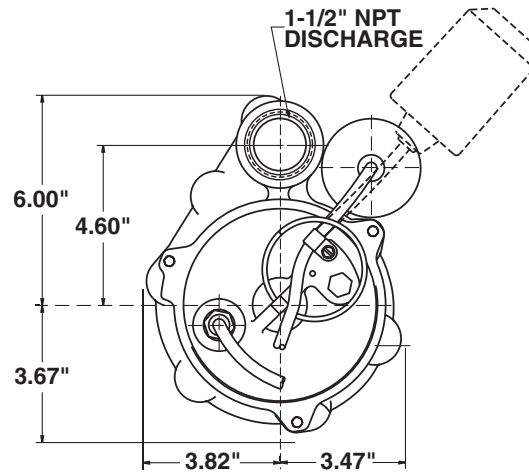
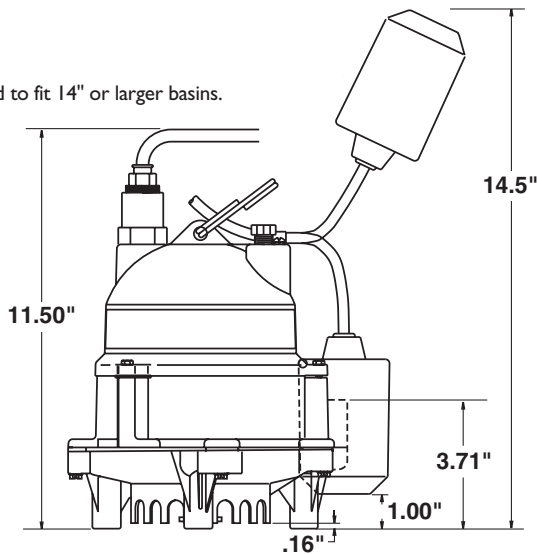
OUTLINE DIMENSIONS – VERTICAL FLOAT

Designed to fit 10" or larger basins.



OUTLINE DIMENSIONS – TETHERED FLOAT

Designed to fit 14" or larger basins.



Dimensions (in inches) are for estimating purposes only.

PUMP PERFORMANCE

1/3 HP						
Vertical Lift Feet/Meters	5/1.5	10/3	15/4.6	20/6.1	Shut-off	
					24/7.3	
Gallons/Liters Per Minute	48/182	40/151	29/110	15/57	No Flow	
1/2 HP						
Vertical Lift Feet/Meters	5/1.5	10/3	15/4.6	20/6.1	Shut-off	
					32/9.8	
Gallons/Liters Per Minute	62/235	53/201	46/174	38/144	29/110	No Flow

SECTIONAL VIEW

