

MPL SERIES

Durability and corrosion resistance are built into every MPL Series Pump, due to the rugged fiberglass reinforced thermoplastic pump construction. The engineered composite components are lightweight yet extremely resistant to sand and abrasive wear. The non-corrosive design and exceptional strength assure years of trouble-free operation.

APPLICATIONS

Water systems and sprinkling... for homes, farms and cottages

SPECIFICATIONS

- Pump Body and Seal Plate – Dura-Glas®
- Impeller – Noryl®
- Nozzle – Noryl
- Venturi – Noryl
- O-Ring – Buna-N
- Clamp – Stainless Steel
- Shaft – Stainless Steel
- Diffuser – Reinforced polypropylene with brass wear ring
- Shallow Well Jet – Sold separately
- Pressure Switch Pre-Set – 30-50 PSI
- Suction Ports – Suction-over-drive



FEATURES

Superior Rustproof Construction

Pump body is Dura-Glas fiberglass reinforced thermoplastic – lightweight, rustproof and exceptionally strong. All components in contact with water are resistant to the corrosive and abrasive forces found in the most aggressive water conditions.

Precision Diffuser

Multi-port, reinforced polypropylene design primes faster and handles more air

Precision Molded Impeller

Precision molded Noryl gives perfect balance and ultra-smoothness for highest performance and efficiency

Pressure Regulator and Gauge

Performance-proven, simple, built-in pressure regulator is adjustable for best performance on all deep well installations. Pressure gauge included.

Shaft Seal

Stainless steel heat sink provides maximum cooling of the mechanical shaft seal

Heavy-duty Motor

Dustproof canopy completely encloses electrical components and provides dust, dirt and insect protection. Ventilating air cannot contaminate vital switching components. Permanently lubricated, heavy-duty ball bearings ensure smooth, quiet operation and extended motor life.

Easy Serviceability

MPL pumps are disassembled by removing the stainless steel clamp. Piping does not have to be disturbed. Seal replacement takes only a few minutes. "Control room" motor design makes all components easily accessible.

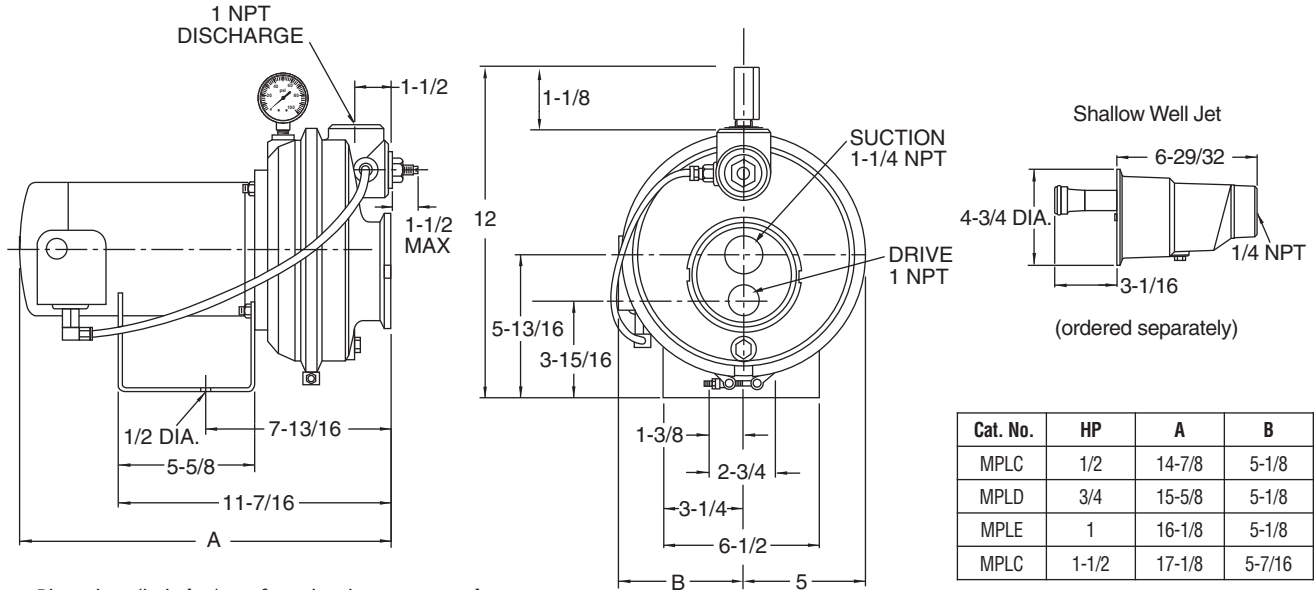
ORDERING INFORMATION

Catalog Number	HP	Pipe Tapping Sizes			Motor Voltage	Approx. Wt. Lbs.
		Suct.	Drive	Disch.		
MPLC	1/2	1-1/4"	1"	1"	115/230	27
MPLD	3/4	1-1/4"	1"	1"	115/230	28
MPL E	1	1-1/4"	1"	1"	115/230	30
MPL F	1-1/2	1-1/4"	1"	1"	115/230	36

A Jet Package should be ordered with every MPL Series pump.

Dura-Glas® is a registered trademark of Pentair Water. Noryl® is a registered trademark of General Electric Co. PRO-Source™ is a trademark of Pentair Water.

OUTLINE DIMENSIONS



Dimensions (in inches) are for estimating purposes only.

PUMP PERFORMANCE - Shallow Well

CAPACITY IN GALLONS PER MINUTE

Catalog Number	HP	Shallow Well Jet No.	Press Switch Setting	Dynamic Suct. Lift Ft.	Discharge Pressure - PSI					Shut-Off PSI
					20	30	40	50	60	
MPLC	1/2	PKG 1-21N	30-50	5'	9.5	9.2	9.0	5.8	3.0	72
				10'	8.2	8.0	7.8	5.2	2.3	70
				15'	7.2	6.8	6.8	4.5	1.8	68
				20'	5.7	5.7	5.7	3.8		66
				25'	4.3	4.3	4.3	3.2		62
MPLD	3/4	PKG 1-22N	30-50	5'	16.2	15.8	15.3	8.7	1.3	62
				10'	14.2	14.0	13.8	7.2		60
				15'	12.2	12.0	11.8	5.3		58
				20'	9.7	9.7	9.2	3.7		55
				25'	7.2	6.8	6.8			52
MPL E	1	PKG 1-23N	30-50	5'	21.3	21.0	20.7	13.2	4.2	62
				10'	18.8	18.7	18.3	11.1	1.7	60
				15'	16.0	15.8	15.7	8.9		58
				20'	12.8	12.7	12.3	5.7		55
				25'	8.5	8.5	8.5			52
MPLF	1-1/2	PKG 1-24N	30-50	5'	26.3	26.2	26.2	21.3	7.7	64
				10'	23.7	23.3	23.2	19.2	3.5	62
				15'	20.3	20.2	20.0	16.3		60
				20'	16.2	16.0	15.8	11.2		57
				25'	11.5	11.3	11.3			54

Tested and rated in accordance with Water Systems Council Standards.

NOTE: Pumps installed with a PRO-Source™ tank require a 100 PSI relief valve. Pumps installed with a conventional tank require a 75 PSI relief valve. Relief valve must be capable of relieving entire flow of pump at relief pressure.

PUMP PERFORMANCE - Deep Well

CAPACITY IN GALLONS PER MINUTE

Catalog Number	HP	Jet No.	Uses Venturi	Uses Nozzle	Pumping Depth in Feet										
					20'	30'	40'	50'	60'	70'	80'	90'	100'	110'	120'
4" DOUBLE PIPE - 40 PSI															
MPLC	1/2	4SD	J32P-24	J34P-41		4.5	3.5	2.3	1.3						
		10SD	N32P-6B	J34P-44		9.5	7.0	4.5	2.0						
MPLD	3/4	4SD	J32P-24	J34P-41		6.5	5.1	4.0	3.0	1.8	0.8				
MPLD	1	4SD	J32P-24	J34P-41		8.4	7.3	6.2	5.0	4.1	2.9	2.0	1.1		
MPLF	1-1/2	11SD	N32P68B	J34P-44		11.5	9.4	8.0	6.5	5.3	3.8	2.5	1.1		
2" SINGLE PIPE - 40 PSI															
MPLC	1/2	13AP	J32P-26	J34P-44	5.8	3.8	1.0								
		10AP	J32P-24	J34P-44	4.3	3.0	1.6								
		8AP	J32P-18	J34P-42	3.8	3.3	2.6	2.0	1.5						
MPLD	3/4	14AP	J32P-32	J34P-45	9.2	6.7	4.3								
		10AP	J32P-24	J34P-44	6.2	4.8	3.7	2.3	1.2						
		8AP	J32P-18	J34P-42	4.1	3.7	3.1	2.6	2.1	1.6	1.2	0.8			
MPLD	1	15AP	J32P-33	J34P-41	12.3	9.2	5.7								
		9AP	J32P-29	J34P-44	10.6	7.4	4.7	2.2							
		8AP	J32P-18	J34P-42	5.0	4.7	4.2	3.8	3.3	2.7	2.3	1.8	1.3		
MPLF	1-1/2	16AP	J32P-38	J34P-45	15.3	11.8	8.5	5.2							
		9AP	J32P-29	J34P-44		12.3	9.3	6.4	4.0						
		8AP	J32P-18	J34P-42		5.7	5.0	4.6	4.2	3.7	3.3	2.8	2.4	1.8	1.3
4" SINGLE PIPE - 40 PSI															
MPLC	1/2	25CP	J32P-26	J34P-44	5.8	4.0	2.1								
		19CP	J32P-24	J34P-41		4.5	3.5	2.3	1.3						
MPLD	3/4	11CP	J32P-32	J34P-45	9.5	7.0	4.5	2.0							
		19CP	J32P-24	J34P-41		6.5	5.1	4.0	3.0	1.8	0.8				
MPLD	1	26CP	J32P-33	J34P-41	13.0	9.8	6.0								
		17Cp	J32P-29	J34P-44		11.5	8.0	5.2	2.6						
		19CP	J32P-24	J34P-41		8.4	7.3	6.2	5.0	4.1	2.9	2.0	1.1		
MPLF	1-1/2	10CP	J32P-38	J34P-45	16.6	13.3	9.5	6.0							
		15CP	J32P-22	J34P-43		8.6	7.9	6.9	6.2	5.4	4.4	3.2	2.2	1.5	0.9

Tested and rated in accordance with Water Systems Council Standards.

NOTE: Pumps installed with a PRO-Source™ tank require a 100 PSI relief valve. Pumps installed with a conventional tank require a 75 PSI relief valve. Relief valve must be capable of relieving entire flow of pump at relief pressure.

