

MPN SERIES

MPN Series Shallow Well Jet Pumps are corrosion- and abrasion-resistant and are ideal for wells with pumping levels of 25' or less.

Self-priming after the pump housing is initially filled with water.

Capacities to 18 GPM at 30 PSI. Available in 1/2, 3/4 and 1 HP models.

Supplied with the industry standard 30-50 pressure switch setting.

APPLICATIONS

Water systems... booster pump, marine, mist sprayers – poultry, fountains and water features

SPECIFICATIONS

- Body and Seal Plate – Fiberglass-reinforced thermoplastic
- Impeller – Engineered polymer
- Base – 10-gauge steel
- Nozzle, Venturi, Diffuser – Polypropylene



FEATURES

Quality Construction

Fiberglass-reinforced thermoplastic body provides total corrosion resistance and high resistance to abrasion

Built-in Jet

Shallow-well jet has corrosion-resistant polypropylene nozzle and venturi

Impeller

Precision-molded for perfect balance... ultra-smooth for highest performance and efficiency

Precision Molded Diffuser

Polypropylene diffuser allows pump to prime faster, handle more air

Heavy-duty Motor

Stainless steel shaft and dual heavy-duty ball bearings

Heavy-duty Ball Bearings

Shielded, permanently lubricated bearings, extensively tested to ensure extended life and smooth, quiet operation

Dual Voltage Capability

1/2, 3/4 and 1 HP models have dual voltage motors and are shipped at the 230 Volt setting

Professional Quality, Pre-set 30-50 PSI

Allows for cut-in pressure adjustments

New Nozzle Clean-out

Easy plug removal and access for ease of service

New Drain Plug

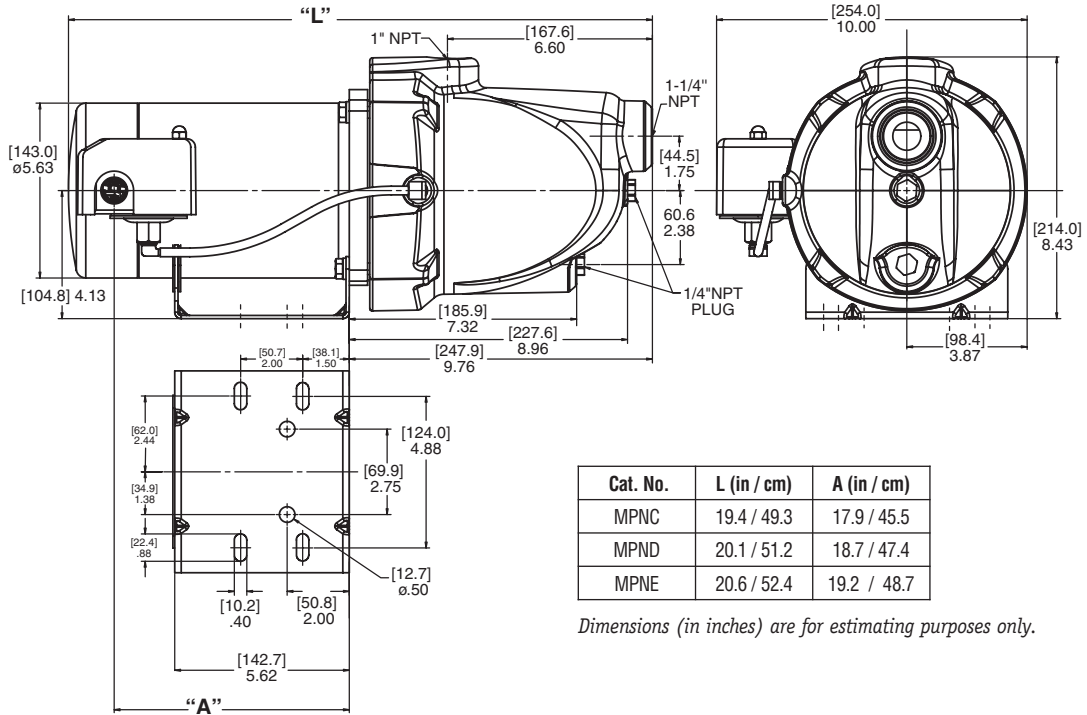
Bottom-mounted for easy draining and winterization

ORDERING INFORMATION

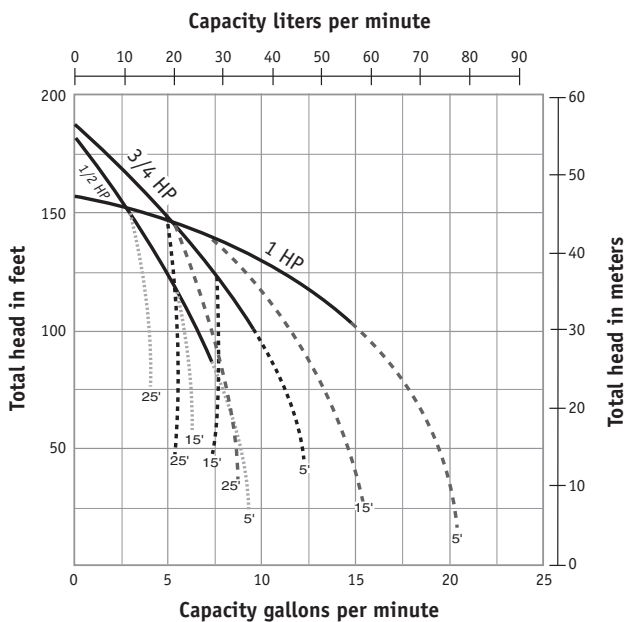
Catalog Number	HP	Description	Pipe Tapping Sizes		Motor Voltage	Approx. Wt. Lbs. / Kg.
			Suct.	Disch.		
MPNC	1/2	Base Mounted Pump	1-1/4"	1"	115/230	21 / 9.5
MPND	3/4	Base Mounted Pump	1-1/4"	1"	115/230	24 / 11
NEW! MPNE	1	Base Mounted Pump	1-1/4"	1"	115/230	26 / 12

PRO-Source™ is a trademark of Pentair Water.

OUTLINE DIMENSIONS



PUMP PERFORMANCE



CAPACITY IN GALLONS / LITERS PER MINUTE

Catalog Number	HP	Total Suction Lift Ft / M	Discharge Pressure PSI / Bar			Shut-Off PSI / Bar
			30 / 2.1	40 / 2.8	50 / 3.5	
MPNC	1/2	5 / 1.5	8.5 / 32.2	7.4 / 28.0	5.2 / 19.7	77 / 5.30
		10 / 3.0	7.1 / 26.9	6.4 / 24.2	5.1 / 19.3	
		15 / 4.6	6.5 / 24.6	6.1 / 23.1	4.5 / 17.0	
		20 / 6.1	5.4 / 20.4	5.1 / 19.3	4.1 / 15.5	
MPND	3/4	5 / 1.5	12.1 / 45.8	10.7 / 40.5	8.5 / 32.2	78 / 5.37
		10 / 3.0	10.7 / 40.5	10.2 / 38.6	8.4 / 31.8	
		15 / 4.6	9.0 / 34.1	8.5 / 32.2	8.1 / 30.7	
		20 / 6.1	7.6 / 28.8	7.3 / 27.6	7.1 / 26.9	
MPNE	1	5 / 1.5	18.0 / 68.1	16.8 / 63.6	13.5 / 51.1	67 / 4.62
		10 / 3.0	17.1 / 64.7	16.1 / 60.9	13.4 / 50.7	
		15 / 4.6	14.9 / 56.4	14.4 / 54.5	13.0 / 49.2	
		20 / 6.1	12.6 / 47.7	12.2 / 46.2	12.0 / 45.4	
		25 / 7.6	8.8 / 33.3	8.5 / 32.2	8.1 / 30.7	

Pumps will operate at all depths shown, with pressure switch set at 30-50 PSI. Tested and rated in accordance with Water Systems Council Standards.

NOTE: Pumps installed with a PRO-Source™ tank require a 100 PSI relief valve. Pumps installed with a conventional tank require a 75 PSI relief valve. Relief valve must be capable of relieving entire flow of pump at relief pressure.