

MW50 SERIES

1/2 Horsepower
2" Solids Handling Sewage Pumps



THE MYERS MW50 SERIES SEWAGE PUMPS PROVIDE BIG PERFORMANCE IN A SMALL PACKAGE.

The enclosed two-vane impeller provides the flow and head required for residential and light commercial sewage applications, and passes a full 2" diameter solid. The MW50 is constructed of only the highest quality corrosion resistant materials - cast iron, stainless steel and engineered thermoplastics - for many years of service in harsh sewage environment. The MW50 is available in manual models for use with external controls or automatic models with piggy-back mechanical float. For more information, call your Myers distributor or the Myers, Ashland, Ohio, sales office at 419-289-1144.

ADVANTAGES BY DESIGN

TWO VANE IMPELLER DESIGN PROVIDES MAXIMUM EFFICIENCY

- Enclosed design for high efficiency pumping.
- Eliminates possibility of jamming between impeller and volute.
- Passes a full 2 inch solid.
- Original performance can be restored if wear occurs by replacing volute seal ring.

DURABLE MOTOR WILL DELIVER MANY YEARS OF RELIABLE SERVICE

- Oil-filled motor for maximum heat dissipation and continuous bearing lubrication.
- Permanent split capacitor motor eliminates starting switches and relays which are prone to fail.

THE MW50 IS DESIGNED FOR MANY YEARS OF MAINTENANCE FREE OPERATION

- Positive sealing, quick connect power cord and piggyback float switch make replacement simple if service is ever necessary.
- Field tested, wide angle, mercury-free mechanical float switch provides maximum draw down. (Automatic models only.)

PRODUCT CAPABILITIES

| | | |
|-------------------------------|--|-----------------|
| Capacities To | 135 GPM | 510 LPM |
| Heads To | 27 ft. | 8.23 m |
| Max. Spherical Solids | 2 in. | 50.6 mm |
| Liquids Handling | domestic sewage & drain water | |
| Intermittent Liquid Temp. | up to 140° F | up to 60° C |
| Motor Electrical Data | 1/2 hp, 1625 rpm PSC (1 Ph), oil-filled 115 volts, 9.0 amps, 1 ph, 60 Hz 230 volts, 4.5 amps, 1 ph, 60 Hz | |
| Third Party Approvals | UL, CSA | |
| Acceptable pH Range | 5-9 | |
| Specific Gravity | .9-1.1 | |
| Viscosity | 28-35 SSU | |
| Discharge, NPT | 2 in. | 50.8 mm |
| Min. Sump Dia. Simplex Duplex | 24 in. 36 in. | 61cm 91.4 cm |

Construction Materials

| | |
|-----------------------|------------------------------------|
| Motor Housing | cast iron, Class 30, ASTM A48 |
| Impeller | enclosed, engineered thermoplastic |
| Impeller Wear Ring | 304 SST |
| Volute | cast iron, Class 30, ASTM A48 |
| Volute Sealing Ring | Buna-N |
| Power Cord | 20 ft. 16/3 SJTW/SJTW-A |
| Mechanical Shaft Seal | carbon & ceramic |
| Fasteners | 300 Series SST |

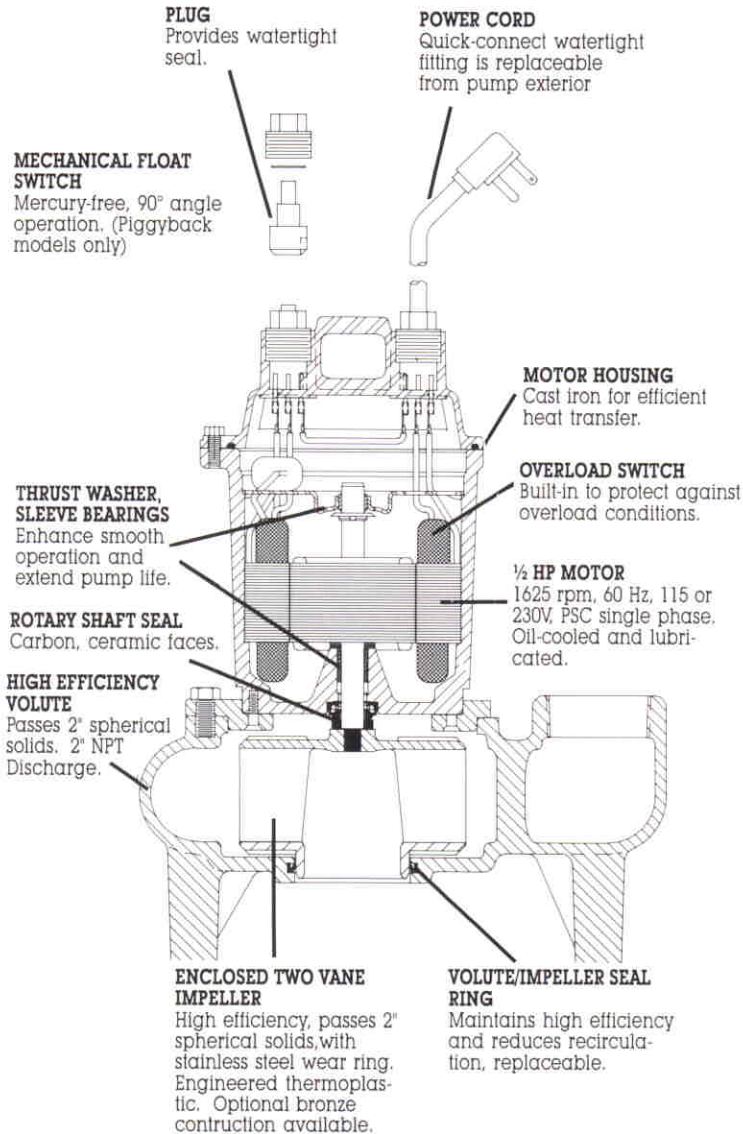
WHERE INNOVATION MEETS TRADITION

Myers[®]

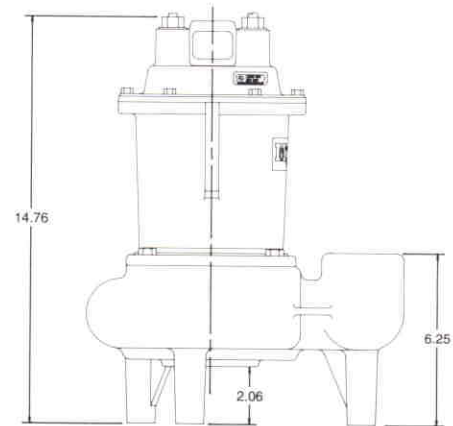
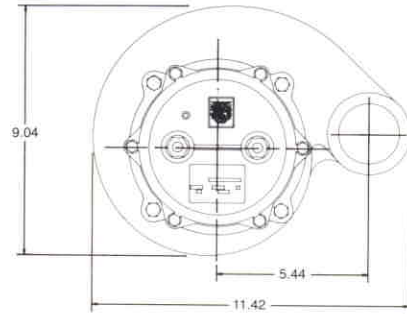
Pentair Pump Group

MW50 SERIES

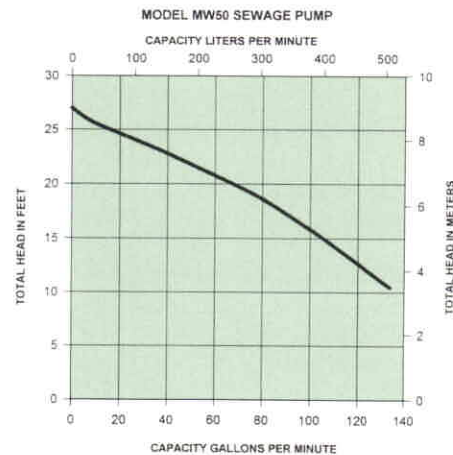
½ Horsepower
2" Solids Handling Sewage Pumps



DIMENSIONS



PERFORMANCE CURVE



K3470 3/01
Printed in U.S.A.



Myers[®]
Pentair Pump Group

F. E. Myers, 1101 Myers Parkway, Ashland, Ohio 44805-1969
419/289-1144, FAX: 419/289-6658, www.femyers.com

Myers (Canada), 269 Trillium Drive, Kitchener, Ontario N2G 4W5
519/748-5470, FAX: 519/748-2553