

The NPC Series offers:

- **Pulse-Free Flow**
- **Metering Precision**
- **Fast and Complete Break Down, Cleaning and Reassembly**
- **Total Rebuildability**
- **Extensive Chemical Compatibility**
- **Available in 0.5, 1, 3, 10 and 15 cc per revolution models**

Two body sizes with three capacities each allows total system flexibility



NPC 5, 10 or 15
with NPT Adapters

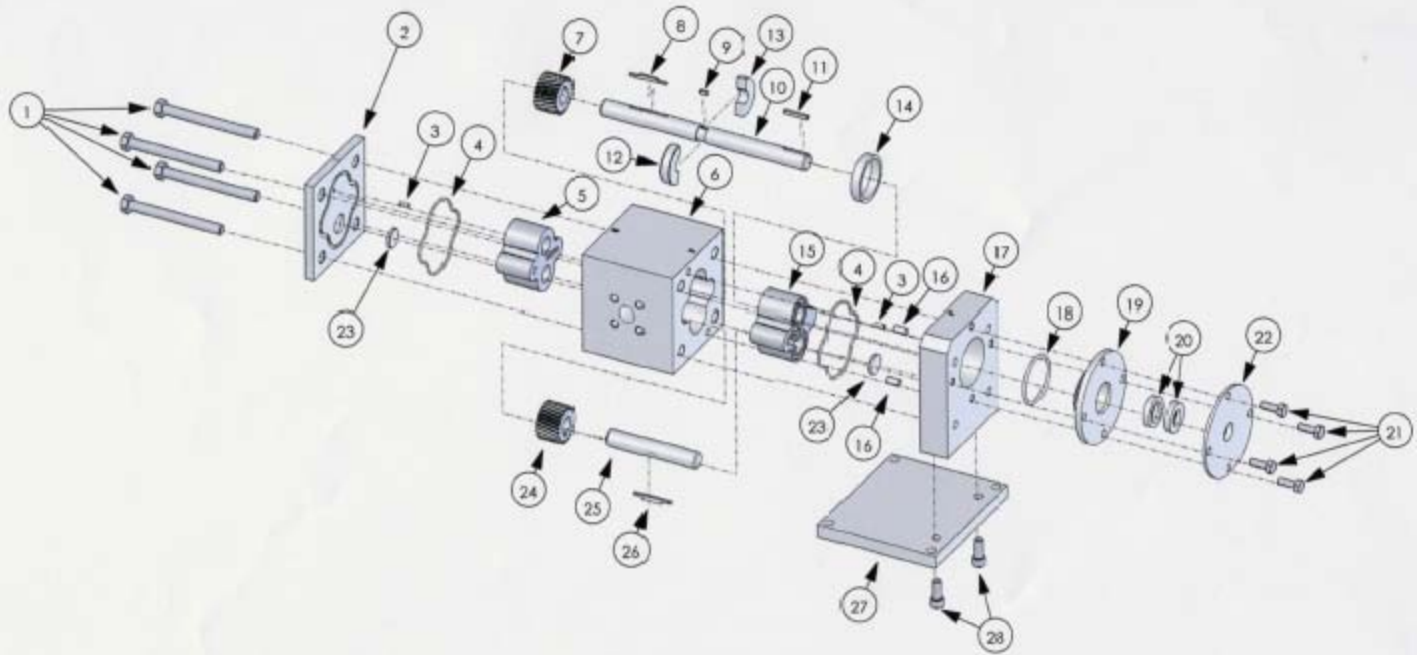


NPC 0.5, 1 or 3 with
Sanitary Adapters

Patents applied for and pending as of publication

For over 80 years, Northern[®] Pump has been providing the most reliable gear pumps in industry. We pride ourselves on regularly accomplishing for our customers what no other pump company can achieve. And now we have expanded our own performance envelope with our new design, the NPC Series pulse-free gear pump.

The NPC Series is truly an advance for the state of the art in gear pump technology.....take advantage of it by installing an NPC Series pump in your precision equipment today.



Item	Description	Qty.
1	Cap Screw	4
2	End Plate	1
3	Bearing Insert Dowel Pin	2
4	O-Ring	2
5	Rear Bearing Insert	1
6	Cylinder	1
7	Drive Gear, LH	1
8	Drive Gear Key	1
9	Thrust Washer Key	1
10	Drive Shaft	1
11	Drive Shaft End Key	1
12/13	Thrust Washer Set	1
14	Thrust Washer Retaining Ring	1
15	Front Bearing Insert	1
16	Dowel Pin	2
17	Seal Adapter Plate	1
18	O-Ring	1
19	Seal Housing	1
20	Lip Seal	2
21	Cap Screw	4
22	Seal Retainer	1
23	Thrust Disk	2
24	Driven Gear, RH	1
25	Driven Shaft	1
26	Driven Shaft Gear Key	1
27	Mounting Plate	1
28	Cap Screw	2

Specifications:

Flow: 0.5, 1, 3, 5, 10, 15 cc/rev
 Pressure: 100 psi
 Temperature: 150 °F
 RPM (max): 250
 Inlet/Outlet: 3/8 " and 5/8"
 Gear Type: Helical
 Flows (lpm @ max rpm):
 0.13, 0.25, 0.75, 1.25, 2.5, 3.75

Materials of Construction:

Pump Body: 316 Stainless Steel
 Gears: 17-4 Stainless Steel
 Bearing Insert: Glass-filled PTFE

Options:

Seal: Lip, Packing
 Inlet/Outlet, Bolt-on adapters:
 NPT, Sanitary, Custom available