

BRONZE BASE MOUNTED SELF-PRIMING CENTRIFUGAL PUMP

PIPE SIZE 1 1/2 NPT



Close Coupled to Electric Motor

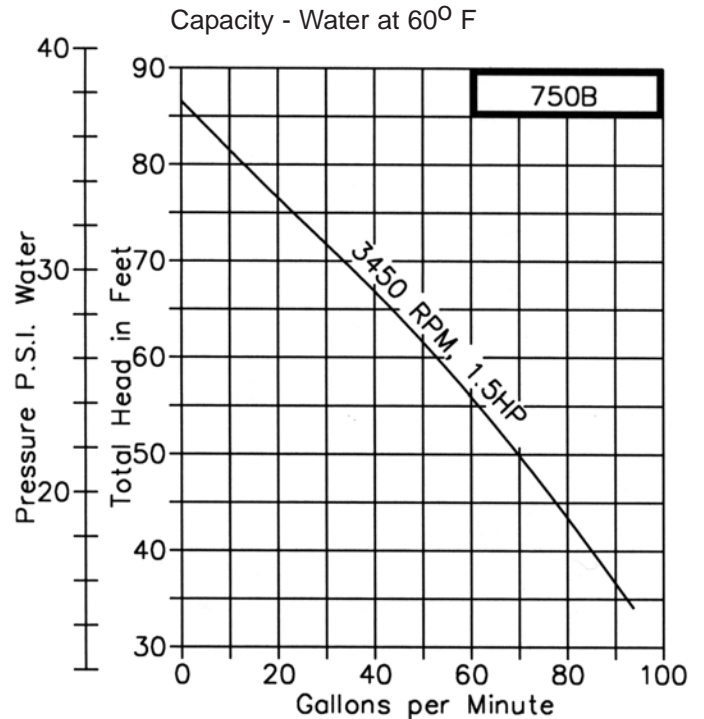
Pump No.	Electric Motor
750B	Pump Only - for Single Phase Motor
750B-T19	1 1/2 H.P., 3450 R.P.M. 115/230 V. Single Phase
750BP	Pump Only - for Polyphase Motor
750BP-T57	1 1/2 H.P., 3450 R.P.M. 220/440 V. Polyphase

FEATURES

- All Bronze Construction
- Self-Priming to 20 Ft. Suction Lift
- Seal Options Available for Solvents and Mild Chemicals
- Pump Heads can be Field Mounted to Standard Nema C Jet Pump Motor with Threaded Shaft
- Base May be Mounted to Motors with Weld-On Feet
- Available with K-Monel Shaft for Marine Applications

GENERAL DESCRIPTION

This pump must be operated with the shaft in a horizontal position as shown in the position as shown in the picture. Before initial start-up, the pump must be filled with liquid through the priming plug opening on top



Capacity Gallons Per Minute (Water)
at Various Suction Lifts (3450 RPM)

Discharge Pressure	Suction Lift					
	0 Ft.	5 Ft.	10 Ft.	15 Ft.	20 Ft.	
30	13.0	9.4	9.2	8.0	8.0	7.2
40	17.3	9.6	7.9	7.2	6.3	5.3
50	21.7	7.1	6.3	5.6	4.6	3.6
60	26.0	5.4	4.5	3.6	2.6	1.6
70	30.3	3.5	2.5	1.5	0	---
80	34.6	1.6	0.5	---	---	---

of the pump body. It will be self-priming thereafter, even without a foot valve in the suction line. However, a foot valve is always recommended to insure immediate liquid flow at start-up.

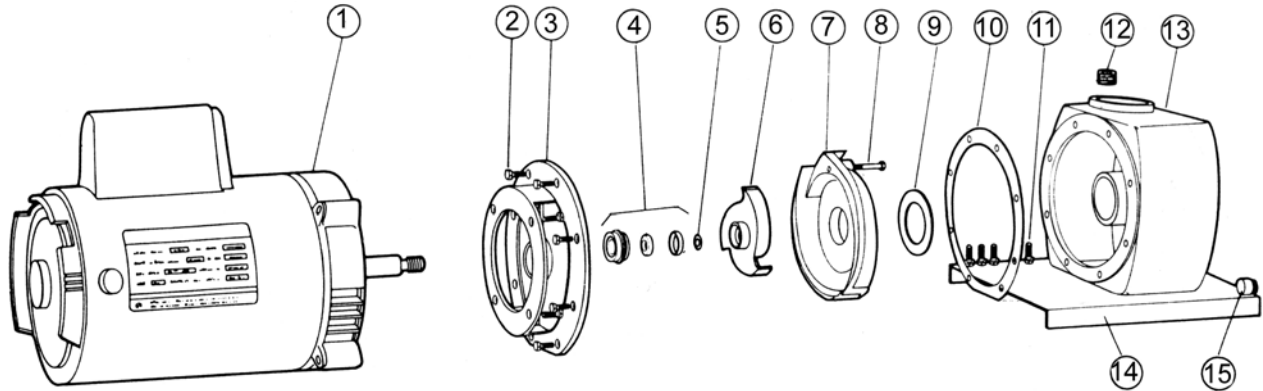
Pumps with polyphase motors must be checked for proper shaft rotation at the time of installation. Rotation must correspond with directional arrow on pump body.

The standard mechanical shaft seal has a Buna rubber element. Viton(R)* and Chemlon (Teflon(R)*) seals are available to handle strong solvents and chemicals.

*Viton(R) is a registered trademark of DuPont Dow Elastomers. Viton(R) or equivalent FKM will be used.
Teflon(R)* is a registered trademark of DuPont. Teflon(R) or equivalent PTFE will be used.

BRONZE BASE MOUNTED SELF-PRIMING CENTRIFUGAL PUMP

PARTS LIST AND EXPLODED VIEW



Pump No.	1	2	3	4A ²	4B ²	4C ²	5	6	7	8	9	10	11	12	13	14	15	16 ¹	17 ¹	18 ¹	*
	Motor	Screw	Adapter	Seal Head	Wear Face	Seal Seat	Shim	Impeller	Diffuser	Screw	Gasket Diffuser	Gasket Flange	Screw	Plug	Body	Base	Plug	Set Screw	Hex Nut	Washer	Repair Kit
	1 Reqd	12 Reqd	1 Reqd	1 Reqd	1 Reqd	1 Reqd	1 Reqd	1 Reqd	1 Reqd	2 Reqd	1 Reqd	1 Reqd	4 Reqd	1 Reqd	1 Reqd	1 Reqd	1 Reqd	1 Reqd	4 Reqd	4 Reqd	
750B	---	5411	7926	5377	6018	6020	6025	7927	7928	7796	7798	7797	7637	7934	7929	6742	7321	---	---	---	11145
750B-T19	5862	5411	7926	5377	6018	6020	6025	7927	7928	7796	7798	7797	7637	7934	7929	6742	7321	---	5597	5915	11145
750BP	---	5411	7926	5377	6018	6020	6025	7932	7928	7796	7798	7797	7637	7934	7929	6742	7321	9849	---	---	11147
750BP-T57	7167	5411	7926	5377	6018	6020	6025	7932	7928	7796	7798	7797	7637	7934	7929	6742	7321	9849	5597	5915	11147

* Repair Kits include items 4A, 4B, 4C, 6, 9 & 10.

² Items 4A, 4B, & 4C available as assembly p/n 32155.

¹ Items 16, 17 & 18 not shown.

DIMENSIONS

