



OBERDORFER PUMPS

A Subsidiary of Thomas Industries Inc.

CHEMSTEEL® OVERVIEW



MAG-DRIVE CLOSE COUPLED
SM200 SERIES



MAG-DRIVE
CLOSE COUPLED
SM400 SERIES



MAG-DRIVE CLOSE COUPLED
SM900 SERIES



MAG-DRIVE CLOSE COUPLED
RM100 SERIES



METALLIC
R100 SERIES



METALLIC
S200 SERIES
CUTAWAY

METALLIC
S900
SERIES



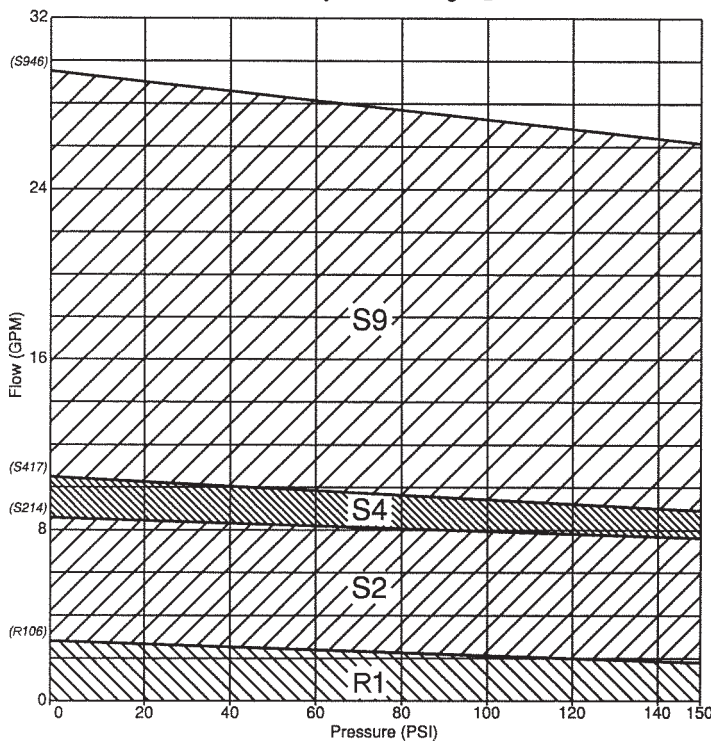
NON-METALLIC
RYTON S900



NON-METALLIC
RYTON S200



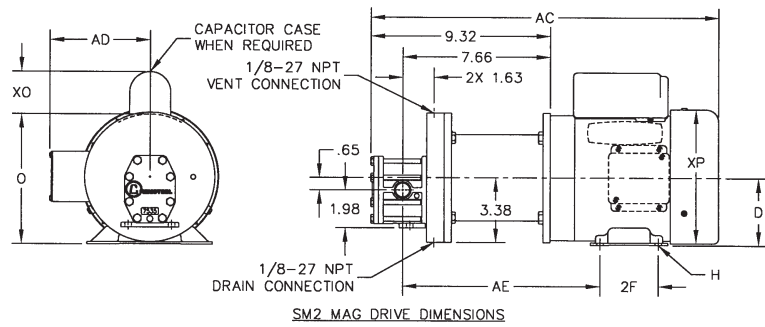
Chemsteel Hydraulic Range @ 1750 RPM



CHEMSTEEL FEATURES

- Flows from 0.5 to 30 GPM at 1750 RPM
- Pressure from 0 to 150 PSI
- Gear & bearing combinations of metallic and nonmetallic wear surfaces.
- Slotted bearings to lubricate shaft and gear surfaces.
- Hydraulic porting to balance axial thrust and to reduce wear.
- Ample port sizing to reduce the likelihood of cavitation when inlet pressure is marginal.
- Effective housing seals with elastic memory prevent leakage of corrosives.
- Recirculation heat port versatility.
- Containment can flush and drain connections.
- 316 Stainless Steel
- Alloy C
- Non-Metallic - Ryton
- Packing - Lip - Mechanical - Seal-less
- NEMA Close Coupled Adapters
- Accessories

EXAMPLE OF SEAL-LESS MAGNETIC DRIVE SM207 PUMP DIMENSIONS

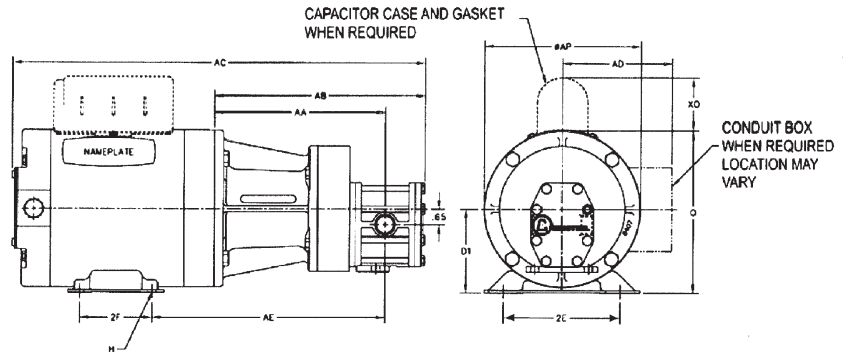


SM2 MAG DRIVE DIMENSIONS

Mag Chemsteel Option Suffix	Power Kit Part No.	Motor Frame		AC*	D	2F	H	AE	AD	*O	*XO	*XP
M1	MC2H56	56C	INCHES	18.07	3.50	3	.34 SLOT	10.22	5.31	6.81	2.25	7.16
			MILLIMETERS	459	88.9	76.2	8.6 SLOT	259.6	134.9	173	57.2	181.9
M2	MC2J45T	143TC/145TC	INCHES	21.45	3.5	4.00/5.00	0.34	10.54	5.31	6.81	2.25	7.16
			MILLIMETERS	544.8	88.9	101.6/127	8.6	267.7	134.9	173	57.2	181.9
M3	MC2F71E	IEC 71C, B14 FACE	INCHES	17.59	2.8	3.54	.28 SLOT	8.84	4.00	5.14	N/A	4.13
			MILLIMETERS	446.8	71	89.9	7.1 SLOT	224.5	101.6	130.6	N/A	104.9
M4	MC2T80E	IEC 80C, B14 FACE	INCHES	19.24	3.15	3.94	.39 SLOT	10.02	4.51	6	N/A	4.72
			MILLIMETERS	488.7	80	100.1	9.9 SLOT	254.5	114.6	152.4	N/A	119.9
M5	MC2U90E	IEC 90SC/90LC, B14 FACE	INCHES	20.34	3.54	3.94/4.92	.39 SLOT	10.26	5.12/4.25	6.81/6.53	N/A	5.51
			MILLIMETERS	516.6	90	100.1/125	9.9 SLOT	260.6	130/108	173/165.9	N/A	140

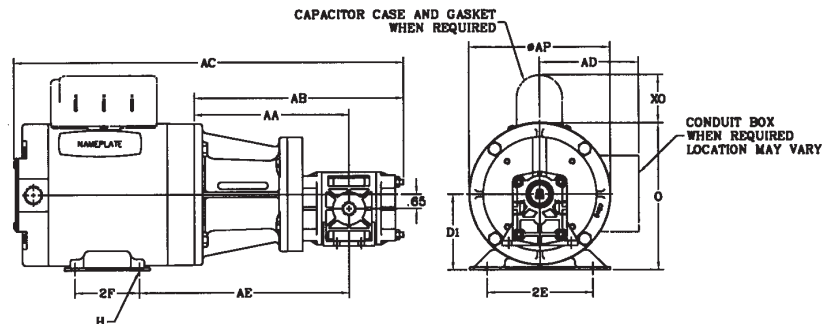
* Dimensions AC, O, XO and XP may vary depending on HP, Enclosure, Speed and Manufacturer

EXAMPLE OF S207 METALLIC CLOSE-COUPLED PUMP DIMENSIONS



mounted adapter code	kit part no.	motor frame		D1	2E	2F	H	O ^[1]	AP ^[1]	XO ^[1]	AA	AB	AC ^[1]	AD	AE	
C1	M2AD56	56C	INCHES	3.50	4.88	3.00	ø.34 SLOT	6.88	6.63	2.25	7.15	8.80	17.18	-	9.71	
			MILLIMETERS	88.9	124	76.2	ø8.6 SLOT	174.8	168.4	57.2	181.6	223.5	436.4	-	246.6	
C2	M2AD45T	143TC	145TC	INCHES	3.50	5.50	4.00	ø.34 SLOT	6.88	6.63	2.25	7.15	8.80	19.98	-	9.53
			182C	184C	MILLIMETERS	88.9	139.7	102	ø8.6	174.8	168.4	57.2	181.6	223.5	507.5	-
		182C	184C	INCHES	4.50	7.50	4.50	ø.41 SLOT	8.69	7.88	2.38	181.6	223.5	507.5	-	10.03
				MILLIMETERS	114.3	190.5	114.3	ø10.41 SLOT	220.7	200	60.3	181.6	223.5	507.5	-	254.8
C3	M2AD71E	IEC 71, B14 FACE	INCHES	2.80	4.41	3.54	ø.28 SLOT	5.14	4.69	-	6.65	8.30	17.61	4.00	8.42	
			MILLIMETERS	71	112	89.9	ø7 SLOT	130.6	119.1	-	168.9	210.8	447.3	102	213.9	
C4	M2AD80E	IEC 80, B14 FACE	INCHES	3.15	4.92	3.94	ø.39 SLOT	6.00	5.69	-	6.65	8.30	17.84	4.51	8.62	
			MILLIMETERS	80	125	100.1	ø10 SLOT	152.4	144.5	-	168.9	210.8	453.1	116	218.9	

EXAMPLE OF S207 NON-METALLIC CLOSE-COUPLED PUMP DIMENSIONS



mounted adapter code	kit part no.	motor frame		D1	2E	2F	H	O ^[1]	AP ^[1]	XO ^[1]	AA	AB	AC ^[1]	AD	AE	
C1	M2AD56R	56C	INCHES	3.50	4.88	3.00	ø.34 SLOT	6.88	6.63	2.25	7.14	9.66	18.04	-	9.7	
			MILLIMETERS	88.9	124	76.2	ø8.6 SLOT	174.8	168.4	57.2	181.4	245.4	458.1	-	246.6	
C2	M2AD45TR	143TC	145TC	INCHES	3.50	5.50	4.00/5.00	ø.34 SLOT	6.88	6.63	2.25	7.14	9.66	19.23/20.73	-	9.53
			182C	184C	MILLIMETERS	88.9	139.7	102/127	ø8.6	174.8	168.4	57.2	181.4	245.4	498.4/526.5	-
		182C	184C	INCHES	4.50	7.50	4.50/5.50	ø.41 SLOT	8.69	7.88	2.38	181.4	245.4	517.1/537.7	-	10.03
				MILLIMETERS	114.3	190.5	114.3/139.7	ø10.41 SLOT	220.7	200	60.3	181.4	245.4	527.5/537.7	-	254.8
C3	M2AD71RE	IEC 71, B14 FACE	INCHES	2.80	4.41	3.54	ø.28 SLOT	5.14	4.69	-	6.64	9.16	18.47	4.00	8.47	
			MILLIMETERS	71	112	89.9	ø7 SLOT	130.6	119.1	-	168.7	232.7	469	102	213.9	
C4	M2AD80RE	IEC 80, B14 FACE	INCHES	3.15	4.92	3.94	ø.39 SLOT	6.00	5.69	-	6.64	9.16	18.70	4.51	8.62	
			MILLIMETERS	80	125	100.1	ø10 SLOT	152.4	144.5	-	168.7	232.7	474.9	116	218.9	