

Stroke: 13 mm
 Max Flow Rate: 2000 l/h
 Motors : 1,5 kW
 Pump: Single-Multiple
 Cast Iron Casing

Mechanical Diaphragm Metering Pumps Positive Return

MLN is the largest of the "ML" series and the third of the three sizes.

IEC motors: size 90, frame B5 flange mounting.



TECHNICAL DATA							
TIPO	STROKES/m	* FLOW RATE L/h	MAX PRESSURE BAR	CONNECTIONS			
				UNI		ANSI	
				AISI	PVC	AISI	PVC
MLN 1350	47	1340					
MLN 1600	56	1600	4	40	40	1 1/2"	2"
MLN 2000	68	1950					

* Flow rates given at 1,5 BAR pressure. Flow rate decreases by approximately 1% for each bar increased pressure.

MATERIALS OF CONSTRUCTION				
PARTS	A	P	P11	A22
LIQUID END	AISI 316L	PVC	PVC	AISI 316L
DIAPHRAGM	TEFLON/PTFE	TEFLON/PTFE	TEFLON/PTFE	TEFLON/PTFE
VALVE GUIDE	AISI 316L	POLITENE/PVC	POLITENE /PVC	AISI 316L
VALVE SEAT	AISI 316L	PVC	AISI 316L	INCOLOY 825
VALVE	AISI 316L	PIREX	AISI 316L	PIREX
VALVE SEAL	VITON/FPM	VITON/FPM	VITON/FPM	VITON/FPM

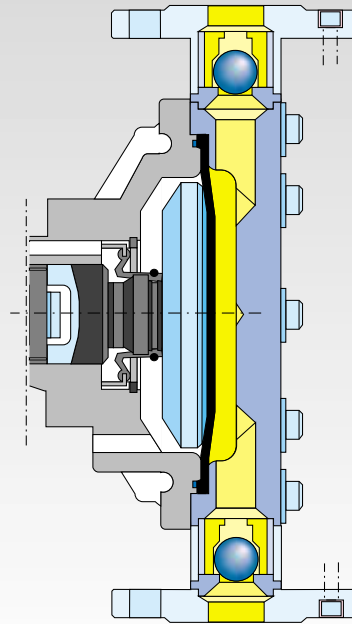
CONSTRUCTION CHARACTERISTICS

- Unique OBL-designed positive displacement mechanism.
- Smooth, linear adjustment either while stationary or running, by means of gravitational dial handwheel.
- ±3 % repeatability over 20 to 100% of flow range.
- Max. temperature of the pumped liquid: 45° C
- Up to 3 m. w. c. suction lift.

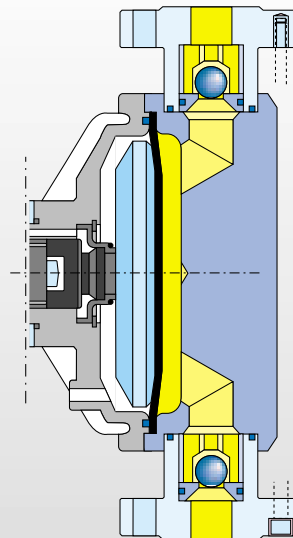
Technical data are subject to modifications without prior notice.

PUMP HEADS

- The one-up diaphragm is used both on **AISI 316L** and **PVC** pump heads.
- **AISI 316L** pump heads are die-cast, and **PVC** pump heads are machined from solid barstock.
- Valves are single ball type only.
- Suction and discharge connection are flanged.

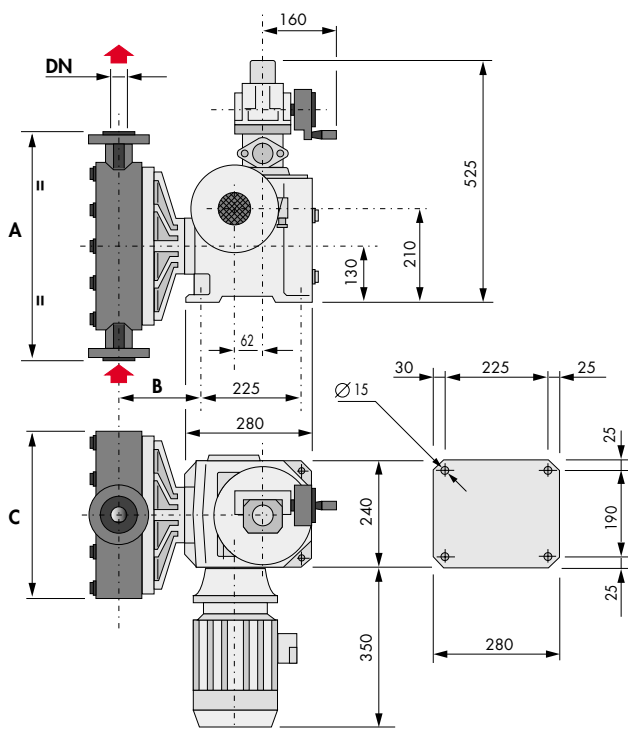


AISI 316L head, "A" construction, flanged connections.



PVC head, "P" construction, flanged connections.

OVERALL DIMENSIONS



TYPE	AISI 316			PVC			DN UNI 2223/29		ANSI B16.5	
	A	B	C	A	B	C	AISI-316 PN 40	PVC PN 10	AISI-316 150 RF	PVC 150 RF
MLN 1350										
MLN 1600	502	137	340	525	150	370	40	40	1 1/2"	2"
MLN 2000										

MODEL NUMBER

KEY TO SYMBOLS

PUMP TYPE	
FLOW RATE l/h	
P	PVC VERSION
A	AISI-316L VERSION
P11	VALVE&SEATS AISI-316L
A22	SEAT: INCOLOY 825-VALVE CARPENTER 20
VS	WITH SAFETY VALVE
VSC	WITH SAFETY AND BACKPRESSURE VALVE
Z	SERIE "ML" 4+20 mA ELECTRIC ACTUATOR
F	UNI FLANGED CONNECTIONS
DV	DUPLEX VALVE BALLS

MLN 1350 A DV F Z