



**Plunger  
Metering Pump  
Spring Return**

**RC pump is (together with RCA) a medium-size pump and is the fourth of the five sizes of the "R" series:**

**RBE, RB, RCA, RC, RH. Equipped with standard motor size 71, Frame B14.**

Stroke : 15mm  
 Motor:  
 Threephase 0,37 kW - 230/400 V - 50 Hz - 4 Poles - IP55 - CL F - IEC38  
 Max flow rate : 300 L/h  
 Pump: single-multiple  
 Cast iron casing

## CONSTRUCTION CHARACTERISTICS

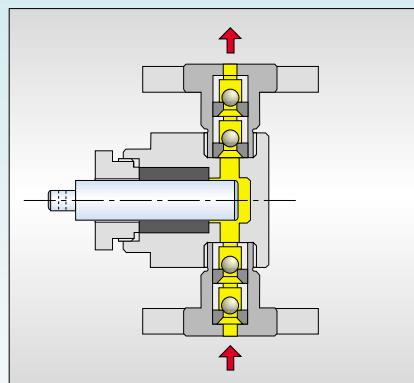
- **Mechanism:**  
 The mechanism and the reduction gear are enclosed in an cast iron casing, with oil-bath lubrication.  
 The mechanism is of the cam/disc type, with spring return stroke, and of simple, sturdy, compact construction.  
 The head holder is made of cast iron .
- The cam is keyed on the pump shaft. Cam and disc are made of hardened steel.
- Smooth flow rate adjustment by control knob, either with pump in motion or stationary.
- 1,5 metres max suction lift.

### TECHNICAL DATA

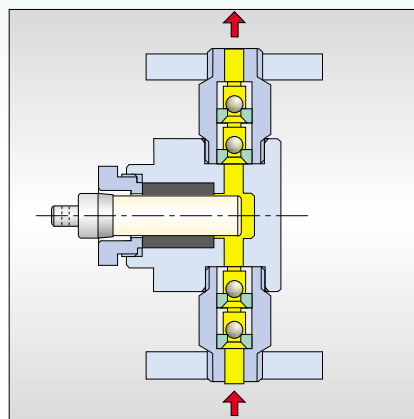
TYPE	STROKES/m	FLOW RATE L/h	MAX PRESS. bar			CONNECTIONS			
			A	A TL	P	THREADED		FLANGED	
						AISI	PVC	UNI	ANSI
RC 6	50	0,8							
	70	1,2							
	95	1,8	40	10	1/4"	1/4"	15	15	
	115	2,2			g.f./BSPF	g.f./BSPF			
	36	2	10	40	10				
50	3								
RC 10	70	4							
	95	5,5	10	40	10	3/8"	1/4"	15	15
	115	7				g.f./BSPF	g.f./BSPF		
	36	5							
	50	7							
RC 16	70	11	10	40	10	3/8"	3/8"	15	15
	95	15				g.f./BSPF	g.f./BSPF		
	115	18							
	36	15		40					
	50	20		40					
RC 25	70	30	10	40	10	3/8"	3/8"	15	15
	95	38				g.f./BSPF	g.f./BSPF		
	115	45							
	36	20		40					
	50	30		40					
RC 30	70	40	10	35	10	3/8"	3/8"	15	15
	95	55		26		g.f./BSPF	g.f./BSPF		
	115	65		22					
	36	40		12					
	50	55		12					
RC 43	70	90	10	12	10	1/2"	1/2"	15	15
	95	115		12		g.f./BSPF	g.f./BSPF		
	115	150		12					
	36	40		12					
	50	55		12					
RC 50	70	120		10		1/2"	1/2"	15	15
	95	160		9		g.f./BSPF	g.f./BSPF		
	115	200		8					
	36	58	10	10					
	50	80	10	10					
RC 62	70	175	10	8		3/4"	1/2"	20	15
	95	250		6		g.f./BSPF	g.f./BSPF		
	115	300		5					
	36	90	10	10					
	50	125	10	10					

## PUMP HEADS

- Execution with single ball and double ball valves.
- Plunger seal rings are of the automatic type, with "V" section, and made of reinforced teflon. The compression of the seal rings is obtained by means of the packing gland.
- Suction and discharge connections normally threaded; on request, flanged.
- The standard materials are listed in the table. Executions in special materials can be supplied on request.
- Minimum NPSH required: 8,5 m in optimum installation conditions.
- Max. temperature of metered liquid:
  - with stainless steel heads: 90°C.
  - with stainless steel heads and ceramic piston: 90°C.
  - with PVC heads: 40°C
  - with PVDF heads: 70°C.

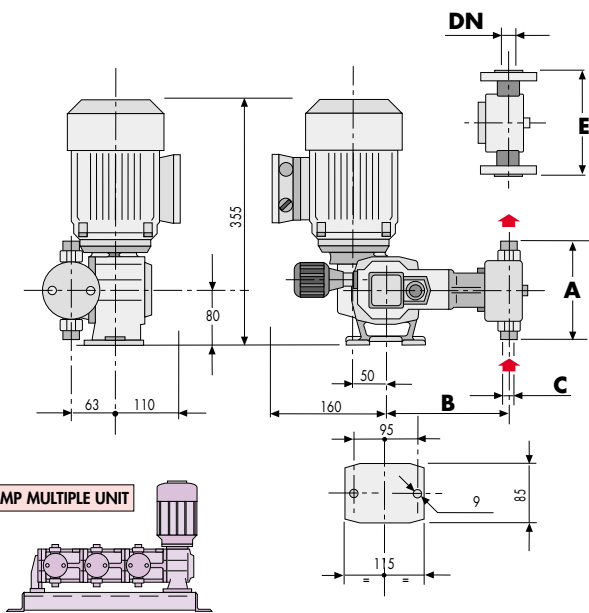


Inox steel head.  
"A" execution.  
Flanged connections.



PVC head.  
"P" execution.  
Flanged connections.

## OVERALL DIMENSIONS

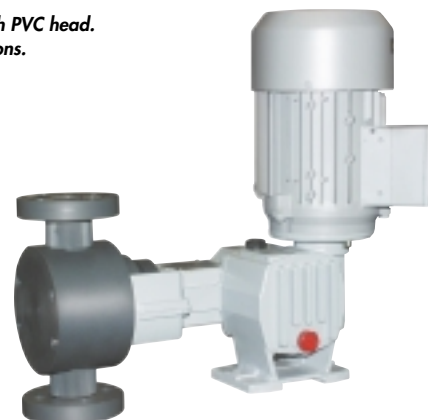


TYPE	AISI 316L					PVC					PVDF				DN				
	A	Adv	B	Btl	C	E	Edv	A	Adv	B	C	E	Edv	A	B	C	E	UNI	ANSI
RC 6	-	159	173	173	1/4" g./BSPP	125	135	-	213	174	-	160	180	190	-	-	-	15	15
RC 10	-	159	173	195	1/2" g./BSPP	125	135	-	213	174	-	160	180	190	-	-	-	15	15
RC 16	121	159	173	195	3/8" g.t./BSPP	125	135	184	213	174	160	160	186	190	186	186	186	15	15
RC 25	121	159	173	195	3/8" g.t./BSPP	125	135	184	213	174	160	160	186	190	186	186	186	15	15
RC 30	121	159	176	195	1/2" g./BSPP	125	135	184	213	174	160	160	186	190	186	186	186	15	15
RC 43	146	162	176	195	1/2" g./BSPP	150	188	230	230	177	192	192	196	190	196	196	196	15	15
RC 50	156	210	180	-	1/2" g./BSPP	160	198	245	-	190	205	-	196	190	196	204	204	15	15
RC 62	195	-	202	-	3/4" g./BSPP	195	-	270	-	205	230	-	210	210	210	230	230	20	15

## MODEL NUMBER

MODEL NUMBER		KEY TO SYMBOLS
RC 25 A 70 TL FA Z		PUMP TYPE
		Ø PLUNGER
RC 25 A 70 TL FA Z		A AISI-316L VERSION
		P PVC VERSION
RC 25 A 70 TL FA Z		STROKES PER MINUTE
		Z9 ELECTRIC ACTUATOR 4÷20 mA
RC 25 A 70 TL FA Z		W 3÷1.5 PSI PNEUMATIC ACTUATOR
		F UNI-DIN FLANGED CONNECTIONS
RC 25 A 70 TL FA Z		FA ANSI FLANGED CONNECTIONS
		... = 0 ÷ 10 BAR VERSION (NO NEED OF MODEL NO.)
RC 25 A 70 TL FA Z		TL = 10 ÷ 40 BAR

Pump type RC with PVC head.  
Flanged connections.



## MATERIALS OF CONSTRUCTION

PARTS	A-ATL	P	AC	ACV	H
HEAD BODY	AISI-316L	PVC	AISI-316L	AISI-316L	AISI-316L
PLUNGER	AISI-316L	CERAMIC	CERAMIC	CERAMIC	CERAMIC
PACKING	PTFE	PTFE	PTFE	VULKOLLAN	PTFE
VALVE SEAT	AISI-316L	PVC	AISI-316L	AISI-316L	INCOLOY825
VALVE	AISI-316L	PIREX/PYREX	AISI-316L	AISI-316L	CARPENTER 20
VALVE SEAL	FPM	FPM	FPM	FPM	FPM