

TECHNICAL DATA

Plunger Metering Pump Spring Return



- **RCC** series plunger metering pump with **PVC** pump head.
- Chevron **PTFE** rings plunger packing with gland nut. 300V/h max flow rate.

- Flow rates:** ● Max flow rate **300 L/h.**
- Motors:** ● Threephase standard - 0,37 kW - 6R 71 B14-4 Poles- IP55 - I.CL.F - IEC34-1 (S1)
 Δ - 230 V - **50 Hz**
 λ - 400 V - **50 Hz**
 Δ - 220±290 V - **60 Hz**
 λ - 380±500 V - **60 Hz**
- Singlephase standard - 0,37 kW - 6R 71 B14 - 4 Poli - IP55 - I.CL.F - IEC34-1 (S1)
 230 V - **50 Hz**
 230 V - **60 Hz**
 115 V - **60 Hz**

- Pump:** ● Single unit
- Adjustment:** ● Micrometer knob.

- Materials:** ● Aluminium casing
 ● PTFE coated cast iron lantern ring

Stroke: ● **15 mm.**

Weight: ● **15±20 Kgs**

50 Hz

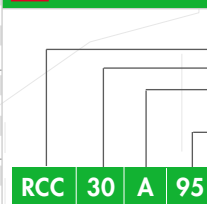
TYPE	STROKES /	MAX FLOW RATE l/h	MAX PRESSURE BAR			CONNECTIONS			
			A	ATL	P	THREADED		FLANGED	
						A-ATL	P	A-ATL	P
RCC6	50	0,8	-	40	10	1/4" g.f. BSPP	1/4" g.f. BSPP	DN 15	DN 15
RCC6	70	1,2	-	40	10	1/4" g.f. BSPP	1/4" g.f. BSPP	DN 15	DN 15
RCC6	95	1,8	-	40	10	1/4" g.f. BSPP	1/4" g.f. BSPP	DN 15	DN 15
RCC6	115	2,2	-	40	10	1/4" g.f. BSPP	1/4" g.f. BSPP	DN 15	DN 15
RCC10	36	2	10	40	10	1/4" g.f. BSPP	1/4" g.f. BSPP	DN 15	DN 15
RCC10	50	3	10	40	10	1/4" g.f. BSPP	1/4" g.f. BSPP	DN 15	DN 15
RCC10	70	4	10	40	10	3/8" g.f. BSPP	1/4" g.f. BSPP	DN 15	DN 15
RCC10	95	5,5	10	40	10	3/8" g.f. BSPP	1/4" g.f. BSPP	DN 15	DN 15
RCC10	115	7	10	40	10	3/8" g.f. BSPP	1/4" g.f. BSPP	DN 15	DN 15
RCC16	36	5	10	40	10	3/8" g.f. BSPP	3/8" g.f. BSPP	DN 15	DN 15
RCC16	50	7	10	40	10	3/8" g.f. BSPP	3/8" g.f. BSPP	DN 15	DN 15
RCC16	70	11	10	40	10	3/8" g.f. BSPP	3/8" g.f. BSPP	DN 15	DN 15
RCC16	95	15	10	40	10	3/8" g.f. BSPP	3/8" g.f. BSPP	DN 15	DN 15
RCC16	115	18	10	40	10	3/8" g.f. BSPP	3/8" g.f. BSPP	DN 15	DN 15
RCC25	36	15	10	40	10	3/8" g.f. BSPP	3/8" g.f. BSPP	DN 15	DN 15
RCC25	50	20	10	40	10	3/8" g.f. BSPP	3/8" g.f. BSPP	DN 15	DN 15
RCC25	70	30	10	40	10	3/8" g.f. BSPP	3/8" g.f. BSPP	DN 15	DN 15
RCC25	95	38	10	35	10	3/8" g.f. BSPP	3/8" g.f. BSPP	DN 15	DN 15
RCC25	115	45	10	20	10	3/8" g.f. BSPP	3/8" g.f. BSPP	DN 15	DN 15
RCC30	36	20	10	40	10	3/8" g.f. BSPP	3/8" g.f. BSPP	DN 15	DN 15
RCC30	50	30	10	40	10	3/8" g.f. BSPP	3/8" g.f. BSPP	DN 15	DN 15
RCC30	70	40	10	35	10	3/8" g.f. BSPP	3/8" g.f. BSPP	DN 15	DN 15
RCC30	95	55	10	26	10	3/8" g.f. BSPP	3/8" g.f. BSPP	DN 15	DN 15
RCC30	115	65	10	22	10	3/8" g.f. BSPP	3/8" g.f. BSPP	DN 15	DN 15
RCC43	36	40	10	12	10	1/2" g.f. BSPP	1/2" g.f. BSPP	DN 15	DN 15
RCC43	50	55	10	12	10	1/2" g.f. BSPP	1/2" g.f. BSPP	DN 15	DN 15
RCC43	70	90	10	12	10	1/2" g.f. BSPP	1/2" g.f. BSPP	DN 15	DN 15
RCC43	95	115	10	12	10	1/2" g.f. BSPP	1/2" g.f. BSPP	DN 15	DN 15
RCC43	115	150	10	-	10	1/2" g.f. BSPP	1/2" g.f. BSPP	DN 15	DN 15
RCC50	36	58	10	-	10	1/2" g.f. BSPP	1/2" g.f. BSPP	DN 15	DN 15
RCC50	50	80	10	-	10	1/2" g.f. BSPP	1/2" g.f. BSPP	DN 15	DN 15
RCC50	70	120	10	-	10	1/2" g.f. BSPP	1/2" g.f. BSPP	DN 15	DN 15
RCC50	95	160	9	-	9	1/2" g.f. BSPP	1/2" g.f. BSPP	DN 15	DN 15
RCC50	115	200	8	-	8	1/2" g.f. BSPP	1/2" g.f. BSPP	DN 15	DN 15
RCC62	36	90	10	-	10	3/4" g.f. BSPP	1/2" g.f. BSPP	DN 20	DN 15
RCC62	50	125	10	-	10	3/4" g.f. BSPP	1/2" g.f. BSPP	DN 20	DN 15
RCC62	70	175	8	-	8	3/4" g.f. BSPP	1/2" g.f. BSPP	DN 20	DN 15
RCC62	95	250	6	-	6	3/4" g.f. BSPP	1/2" g.f. BSPP	DN 20	DN 15
RCC62	115	300	5	-	5	3/4" g.f. BSPP	1/2" g.f. BSPP	DN 20	DN 15

60 Hz

RCC6	43	0,7	-	40	10	1/4" g.f. BSPP	1/4" g.f. BSPP	DN 15	DN 15
RCC6	60	1	-	40	10	1/4" g.f. BSPP	1/4" g.f. BSPP	DN 15	DN 15
RCC6	84	1,5	-	40	10	1/4" g.f. BSPP	1/4" g.f. BSPP	DN 15	DN 15
RCC6	118	2,2	-	40	10	1/4" g.f. BSPP	1/4" g.f. BSPP	DN 15	DN 15
RCC10	30	1,6	10	40	10	1/4" g.f. BSPP	1/4" g.f. BSPP	DN 15	DN 15
RCC10	43	2,5	10	40	10	1/4" g.f. BSPP	1/4" g.f. BSPP	DN 15	DN 15
RCC10	60	3,4	10	40	10	3/8" g.f. BSPP	1/4" g.f. BSPP	DN 15	DN 15
RCC10	84	4,8	10	40	10	3/8" g.f. BSPP	1/4" g.f. BSPP	DN 15	DN 15
RCC10	118	7	10	40	10	3/8" g.f. BSPP	1/4" g.f. BSPP	DN 15	DN 15
RCC16	43	6	10	40	10	3/8" g.f. BSPP	3/8" g.f. BSPP	DN 15	DN 15
RCC16	60	9,5	10	40	10	3/8" g.f. BSPP	3/8" g.f. BSPP	DN 15	DN 15
RCC16	84	13	10	40	10	3/8" g.f. BSPP	3/8" g.f. BSPP	DN 15	DN 15
RCC16	118	18	10	40	10	3/8" g.f. BSPP	3/8" g.f. BSPP	DN 15	DN 15
RCC25	43	16	10	40	10	3/8" g.f. BSPP	3/8" g.f. BSPP	DN 15	DN 15
RCC25	60	24	10	40	10	3/8" g.f. BSPP	3/8" g.f. BSPP	DN 15	DN 15
RCC25	84	33	10	35	10	3/8" g.f. BSPP	3/8" g.f. BSPP	DN 15	DN 15
RCC25	118	45	10	20	10	3/8" g.f. BSPP	3/8" g.f. BSPP	DN 15	DN 15
RCC30	43	24	10	40	10	3/8" g.f. BSPP	3/8" g.f. BSPP	DN 15	DN 15
RCC30	60	34	10	35	10	3/8" g.f. BSPP	3/8" g.f. BSPP	DN 15	DN 15
RCC30	84	48	10	26	10	3/8" g.f. BSPP	3/8" g.f. BSPP	DN 15	DN 15
RCC30	118	65	10	22	10	3/8" g.f. BSPP	3/8" g.f. BSPP	DN 15	DN 15
RCC43	43	50	10	12	10	1/2" g.f. BSPP	1/2" g.f. BSPP	DN 15	DN 15
RCC43	60	78	10	12	10	1/2" g.f. BSPP	1/2" g.f. BSPP	DN 15	DN 15
RCC43	84	100	10	12	10	1/2" g.f. BSPP	1/2" g.f. BSPP	DN 15	DN 15
RCC43	118	150	10	-	10	1/2" g.f. BSPP	1/2" g.f. BSPP	DN 15	DN 15
RCC50	43	70	10	-	10	1/2" g.f. BSPP	1/2" g.f. BSPP	DN 15	DN 15
RCC50	60	102	10	-	10	1/2" g.f. BSPP	1/2" g.f. BSPP	DN 15	DN 15
RCC50	84	140	9	-	9	1/2" g.f. BSPP	1/2" g.f. BSPP	DN 15	DN 15
RCC50	118	200	8	-	8	1/2" g.f. BSPP	1/2" g.f. BSPP	DN 15	DN 15
RCC62	43	105	10	-	10	3/4" g.f. BSPP	1/2" g.f. BSPP	DN 20	DN 15
RCC62	60	152	8	-	8	3/4" g.f. BSPP	1/2" g.f. BSPP	DN 20	DN 15
RCC62	84	205	6	-	6	3/4" g.f. BSPP	1/2" g.f. BSPP	DN 20	DN 15
RCC62	118	300	5	-	5	3/4" g.f. BSPP	1/2" g.f. BSPP	DN 20	DN 15

*Pressure with singlephase motor decreases by 25% for sizes: **RCC50-62** and **ATL** versions.

MODEL NUMBER

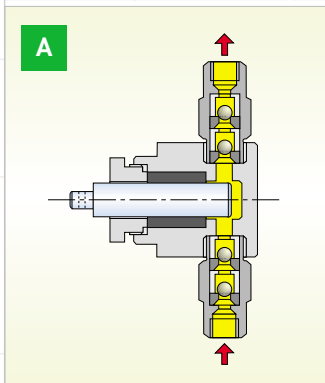


KEY TO SYMBOLS

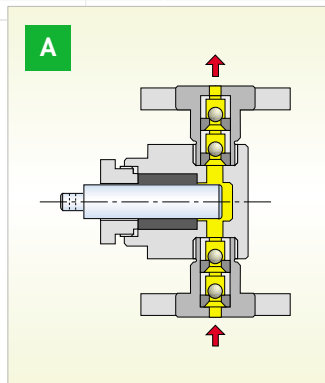
PUMP MODEL	
Ø PLUNGER	
A	AISI-316L VERSION
P	PVC VERSION
STROKES PER MINUTE	
Z	OBL 4±20 mA ELECTRIC ACTUATOR
W	3±15 PSI PNEUMATIC ACTUATOR
F UNI-DIN FLANGED CONNECTIONS	
...	0 ± 10 BAR VERSION (NO NEED OF MODEL NO.)
TL	= 10 ± 40 BAR

PUMP HEADS MATERIALS OF CONSTRUCTION

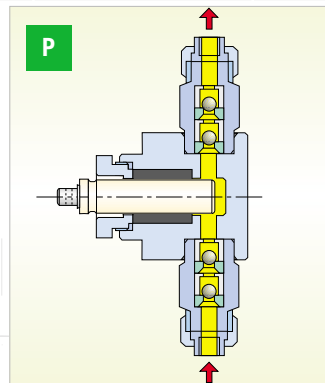
PARTS	A	P	P11	ATL	AC
LIQUID END	AISI-316L	PVC	PVC	AISI-316L	AISI-316L
PLUNGER	AISI-316L	CERAMIC	CERAMIC	AISI-316L	CERAMIC
PLUNGER PACK.	PTFE	PTFE	PTFE	PTFE	PTFE
VALVE SEAT	AISI-316L	PVC	AISI-316L	AISI-316L	AISI-316L
VALVE	AISI-316L	PIREX	AISI-316L	AISI-316L	AISI-316L
VALVE SEAL	FPM	FPM	FPM	FPM	FPM



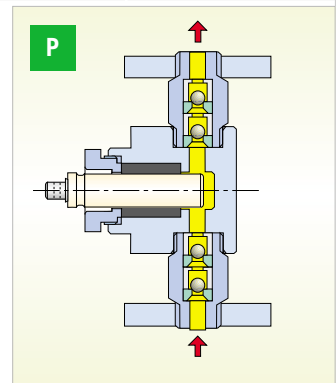
Stainless steel head. "A" execution. Threaded connections.



Stainless steel head. "A" execution. Flanged connections.



PVC head. "P" execution. Threaded connections.



PVC head. "P" execution. Flanged connections.

OVERALL DIMENSIONS

CONSTRUCTION CHARACTERISTICS

● **Mechanism:**

Mechanism and reduction gear are enclosed in an oil-bath lubricated aluminium casing. PTFE coated cast iron lantern ring. The mechanism is of the cam/disc type, with spring return stroke, and of simple, sturdy, compact construction.

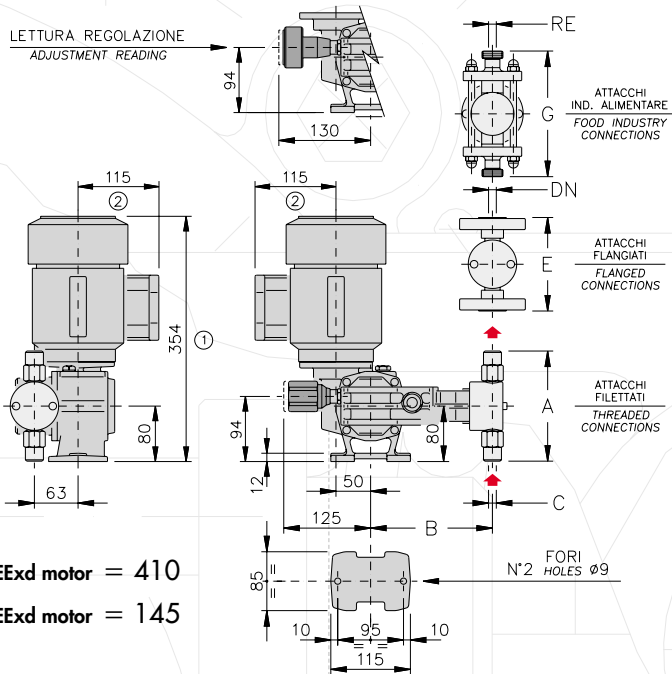
● Smooth flowrate adjustment by control knob, both with pump running and at rest.

● Max suction lift 1.5 m.w.c. (see operating manual).

● Simple and robust spring return plunger pump.

● The cam is keyed on the pump shaft. Cam and disc are made of hardened steel.

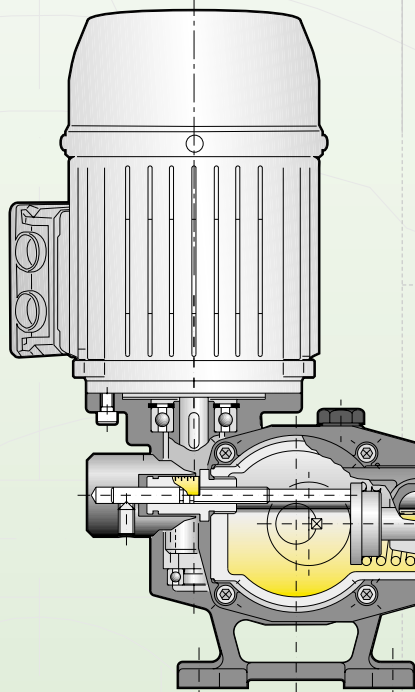
REGOLAZIONE TRAMITE OROLOGIO GRAVITAZIONALE
ADJUSTMENT BY MEANS OF GRAVITATIONAL WATCH
G-GS



- ① With EExd motor = 410
- ② With EExd motor = 145

TYPE	AISI 316 L										PVC					PVDF					DN ^{UNI}		DN ^{ANSI}					
	A	A ^{OV}	A ^{OVTL}	B	B ^L	C g.f.	E	E ^{OV}	E ^{OVTL}	G	G ^{OV}	RE ^{DN}	A	A ^{OV}	B	C g.f.	E	E ^{OV}	A	A ^{OV}	B	C g.f.	E	E ^{OV}	AISI	PVC PVDF	AISI	PVC PVDF
RCC 6	-	-	124	-	198	1/4" g.f. BSPF	-	-	100	200	246	10	-	140	197	1/4" g.f. BSPF	-	140	-	140	197	1/4" g.f. BSPF	-	140	15	15	1/2"	1/2"
RCC 10	-	159	133	174	197	(0)	-	135	109	-	-	-	-	140	199	1/4" g.f. BSPF	-	140	-	140	199	1/4" g.f. BSPF	-	140	15	15	1/2"	1/2"
RCC 16	-	159	150	173	195	3/8" g.f. BSPF	-	135	126	200	246	10	-	214	174	3/8" g.f. BSPF	-	160	-	181	191	3/8" g.f. BSPF	-	181	15	15	1/2"	1/2"
RCC 25	121	159	150	173	195	3/8" g.f. BSPF	135	135	126	210	266	15	186	214	174	3/8" g.f. BSPF	160	160	-	186	191	3/8" g.f. BSPF	-	186	15	15	1/2"	1/2"
RCC 30	121	159	150	176	195	3/8" g.f. BSPF	135	135	126	-	-	-	186	214	174	3/8" g.f. BSPF	160	160	-	186	191	3/8" g.f. BSPF	-	186	15	15	1/2"	1/2"
RCC 43	156	208	198	176	198	1/2" g.f. BSPF	156	176	166	252	308	20	232	232	184	1/2" g.f. BSPF	192	192	-	196	191	3/8" g.f. BSPF	-	196	15	15	1/2"	1/2"
RCC 50	156	208	-	180	-	1/2" g.f. BSPF	160	198	-	-	-	-	244	-	190	1/2" g.f. BSPF	204	-	194	-	190	1/2" g.f. BSPF	204	-	15	15	1/2"	1/2"
RCC 62	202	-	-	195	-	3/4" g.f. BSPF	187	-	-	280	-	20	250	-	205	1/2" g.f. BSPF	210	-	200	-	205	1/2" g.f. BSPF	210	-	20	15	3/4"	1/2"

SECTIONAL VIEW



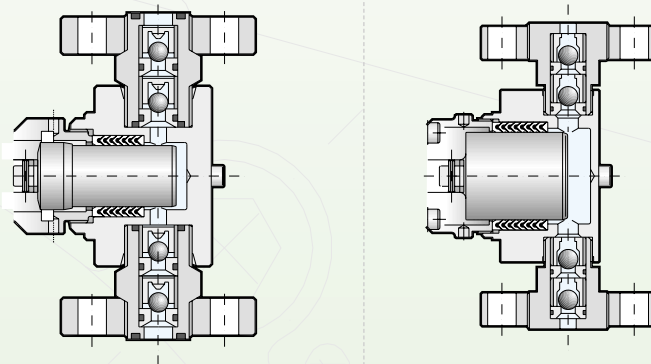
PUMP HEADS

- Execution with single ball and double check valves.
- Chevron reinforced PTFE plunger packing, adjustable via packing gland tightening.
- Suction and discharge connections normally threaded; on demand, flanged.
- The standard materials are listed at pag. 4.
Executions in special materials can be supplied on demand.
- Max. temperature of metered liquid:
 - with stainless steel heads: 90°C.
 - with stainless steel heads and ceramic piston: 90°C.
 - with PVC heads: 40°C.

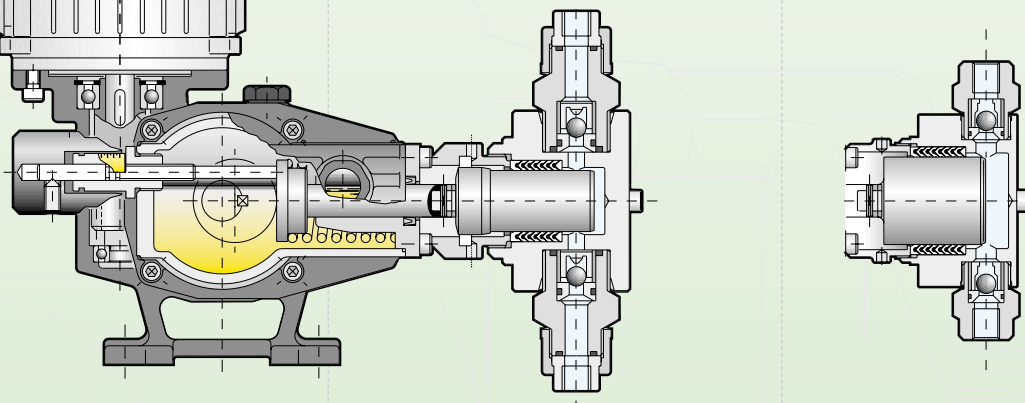
PVC

AISI 316L

FLANGED EXECUTIONS



THREADED EXECUTIONS



ADJUSTMENT SYSTEMS

- **Manual:**
Micrometer knob.
- **Electric:** Via **OBL** designed **Z** type 4÷20 mA electrical actuator.
- **Pneumatic:** Via of a 3÷15 PSI. type **W**. pneumatic actuator.

STANDARD MANUAL ADJUSTMENT

- Adjustment via 0-10 scale micrometer knob.

