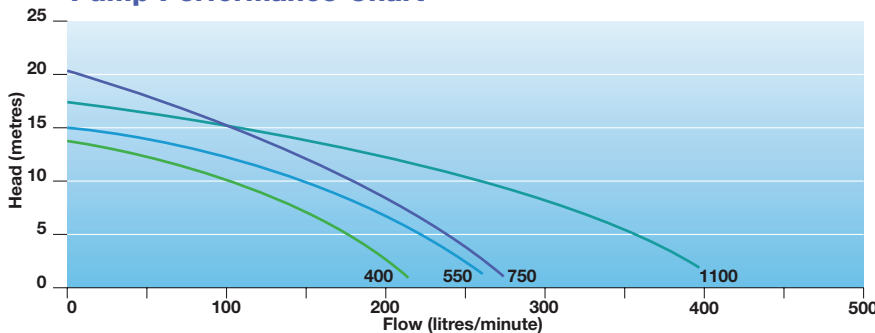


Pump Performance Chart



Disclaimers Every endeavour has been made to publish the correct details in this leaflet. No responsibility will be taken for errors, omissions or changes in product specifications. All performance data taken at sea level.

Operating Conditions

Suitable for pumping clean non-aggressive liquids without solids or fibres in suspension.

Fluid:	Water
Maximum working pressure:	270 kPa
Water (Swimming Pool) temp range:	5°C-35°C
Ambient temperature:	50°C maximum

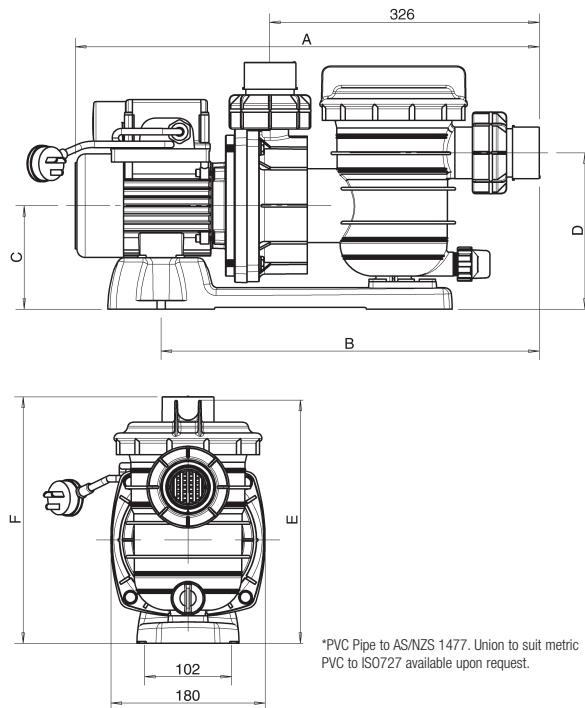
Motor

Type:	TEFC 2 pole
Nominal speed:	2800 rpm
IP rating:	IP55
Insulation class:	Class F
Thermal overload:	Internal
Temperature rise:	Class B
Frequency:	50Hz*
Voltage:	230-240*
Bearing type:	Deep groove ball bearing with double contact lip seal
Bearing temperature rating:	150°C

Materials

Component	Materials
Pump casing:	Glass filled ABS
Clacker:	Polypropylene
Impeller:	Glass filled ABS
Baffle:	Glass filled ABS
Drain plug:	Polypropylene
Diffuser:	Glass filled ABS
Basket:	HD polyethylene
Shaft sleeve:	Nylon
Motor shaft:	K-1137 steel
End shield:	Double zinc coated cast iron
Hair and lint pot O-ring:	Nitrile
O-rings:	Low friction nitrile
Barrel unions:	ABS
Hair and lint pot lid:	Polycarbonate
Cord/Plug:	Approved to AS/NZS 3112
Mechanical seal, 1/2" type 6 (LTP1100 = type 6 3/4")	
Flexible bellows:	Nitrile
Stationary face:	Ceramic
Rotating face:	Carbon
Spring:	304 stainless steel

Line Drawings



*PVC Pipe to AS/NZS 1477. Union to suit metric PVC to ISO727 available upon request.

Dimension Table

Pump Model	A (mm)	B (mm)	C (mm)	D (mm)	E (mm)	F (mm)
LTP400	556	454	91	152	254	260
LTP550	578	454	91	152	254	260
LTP750	578	454	91	152	254	260
LTP1100	587	448	91	152	254	260

Note: Dimension 'E' an additional 160mm clearance height required above the pump to remove strainer basket for maintenance and cleaning purposes.

Unless otherwise specified, all dimensions in mm.

Fixing holes accept 8mm fasteners.

Model Data

Pump Model	Motor Kw	Supply Voltage	Phase	Full Load Current	Full Rotor Current	Capacitor mfd	Sound Power Level	Supply Cord Length	Net Weight	Packed Weight	Carton Dimensions L x W x H
Unit of measure	(hp)	V		(A)	(A)		dB(A)*	(m)	(kg)	(kg)	(mm)
LTP400	0.4 (1/2)	230	1	2.7	10	12	60	2	8	10	580 x 185 x 315
LTP550	0.5 (3/4)	230	1	3.5	17	20	59	2	8	10	580 x 185 x 315
LTP750	0.75 (1)	230	1	4.3	17	20	64	2	10	12	580 x 185 x 315
LTP1100	1.1 (1 1/2)	230	1	5.4	23	22	65	2	10	12	615 x 210 x 305

* dB(A) @ 1 metre

Distributor Catalogue. Commercial in confidence. Pentair Water Pty Ltd account customers only.

© information contained here-in remains the property of Pentair Water Pty Ltd. Any reproduction, display, publication, modification or distribution is strictly prohibited without the prior written permission of Pentair Water Pty Ltd.

Disclaimer Every endeavour has been made to publish the correct details in this data sheet. No responsibility will be taken for errors, omissions or changes in product specifications. Pentair Water reserves the right to change specifications