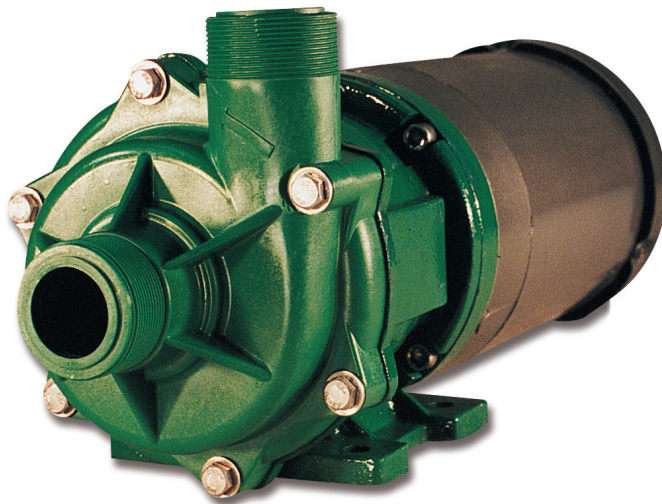


MAGNETIC COUPLED SEAL-LESS CENTRIFUGAL PUMPS

MOLDED NON-METALLIC CORROSION RESISTANT MATERIALS



- **CASING & IMPELLER**
Polypropylene(glass fiber filled)
ETFE (carbon fiber filled)
- **INTERNALS**
SiC/Rulon[®] or
Ceramic/HD Carbon/Rulon[®]
Viton[®] or EPDM O-ring
- **Max Flow 145GPM, 548LPM**
Max TDH 118FT, 35.8 M
- **Seal-less Pump** provides zero leakage & low friction for energy efficiency
- **High Efficiency Closed Impellers** providing vibration free operation
- **TEFC Motors** with powerful permanent magnets for highly efficient transmission

Pumps can be constructed to accommodate a wide variety of applications such as, photo-processing, water & waste treatment, semiconductor, industrial chemical processing, high purity DI & RO water, paper & pulp chemical processing, fume scrubbing and plating to name a few.

SPECIFICATION TABLE

SERIES	CONNECTIONS*	PERFORMANCE 3450RPM @ 60Hz				
	MNPT inches	CURVE	MAX GPM	MAX TDH	Best Efficiency Pt. gpm @ TDH (ft)	HP
Z40	1½ X 1½	Z40 (A)	52	45	30 gpm @ 30'	1/2
Z41	1½ X 1½	Z41 (A)	64	63	40 gpm @ 44'	1
Z42	2 X 1½	Z42 (A)	110	59	80 gpm @ 44'	2
Z43	2 X 1½	Z43 (A)	125	83	85 gpm @ 60'	3
Z45	2 X 1½	Z45 (A)	145	118	100 gpm @ 86'	5

*Available with optional ANSI Flange

Impellers can be trimmed for higher S.G. solutions
See reverse side for dimensions & flow curve

Specifications subject to change without notice

F.O.B. Lancaster, Pennsylvania

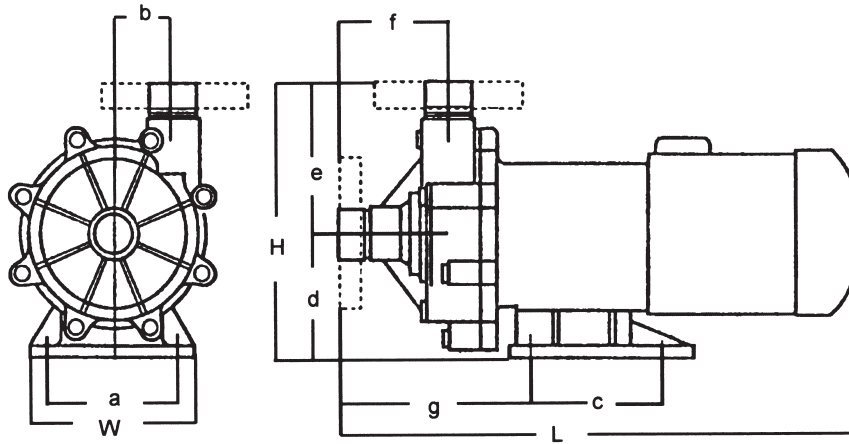
PACER[®] PUMPS

Division of ASM Industries, Inc.

41 Industrial Circle 717-656-2161
Lancaster, PA 17601-5927 U.S.A. 800-233-3861
Email: sales@pacerpumps.com FAX: 717-656-0477
www.pacerpumps.com

DISTRIBUTED BY

DIMENSIONS IN INCHES SERIES Z

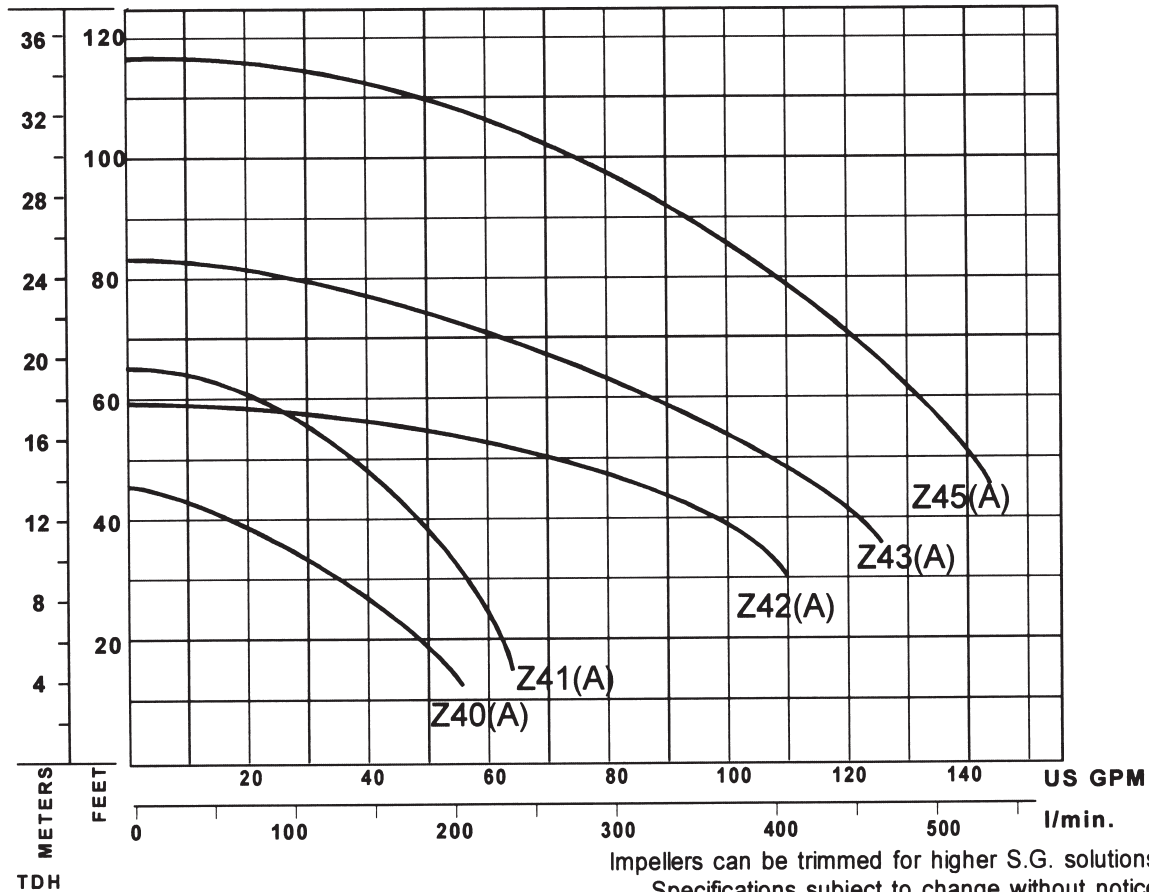


SERIES	PORT MNPT		W	H	L*	a	b	c	d	e	f	g
	IN	OUT										
Z40	1½	1½	5.62	8.52	19.35	4.33	2.01	3.89	3.78	4.74	3.42	5.83
Z41	1½	1½	6.30	10.00	20.83	5.12	2.27	5.12	4.53	5.47	4.03	7.25
Z42	2	1½	10.23	10.03	22.37	8.19	2.56	7.87	4.53	5.50	3.50	6.22
Z43	2	1½	10.23	10.03	22.37	8.19	2.56	7.87	4.53	5.50	3.50	6.22
Z45	2	1½	10.23	10.62	25.56	8.19	2.56	7.87	5.12	5.50	3.50	6.22

*Varies with motor manufacturer

PERFORMANCE SERIES Z

3450 RPM



Impellers can be trimmed for higher S.G. solutions.
 Specifications subject to change without notice.
 Performance based on a water-like liquid at 1.0 S.G.