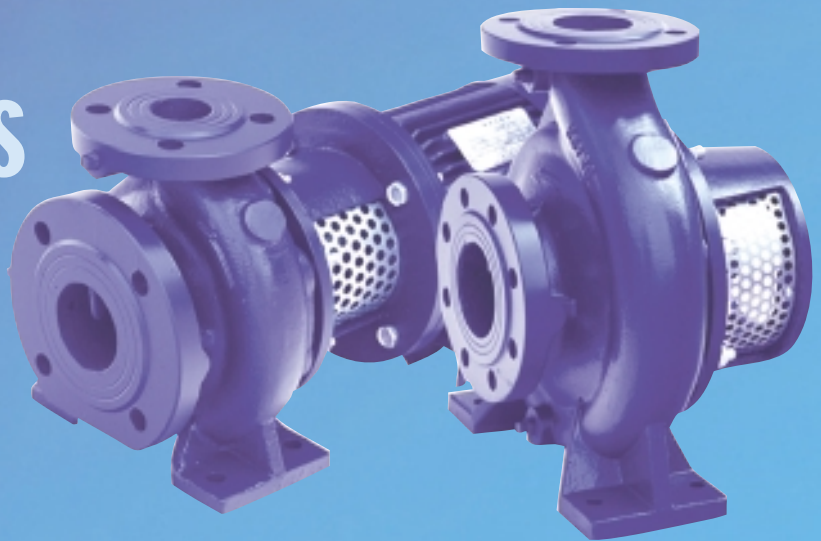




ARAGON  
UMPS

**PAZ SERIES**



Close Coupled Centrifugal Pump



## **Design**

PAZ single stage close coupled centrifugal pump with performance and dimensions in accordance with DIN24255 standard, horizontal installation. The back-pull-out construction allows the pump to be disassembled without disturbing the suction and discharge pipework.

## **Operating Data**

Discharge Flanges	: 32mm to 150mm
Flange Standard	: BS 4504 PN 16
Optional Flanges	: ANSI 150 RF
Flowrate	: Up to 550 M3/Hr
Total Head	: Up to 150 meters
Max Working Pressure	: 16 bar standard
Maximum Temperature	: 100 deg C
Minimum Temperature	: -20 deg C

## **Application**

- Water supply
- Cooling water
- Air conditioning
- Heating circulation
- Industrial fluids

## **Electric Motor**

The pump is supplied complete with a standard flange or face mounted TEFC IP55 electric motor to IEC dimensions. NEMA, Eexd, Ex(N), single phase and Energy Efficient motors are readily available as optional.

## **Material**

### Casing

- Cast iron
- Ductile iron

### Impeller

- Cast iron
- Bronze

### Stubshaft

- Stainless steel

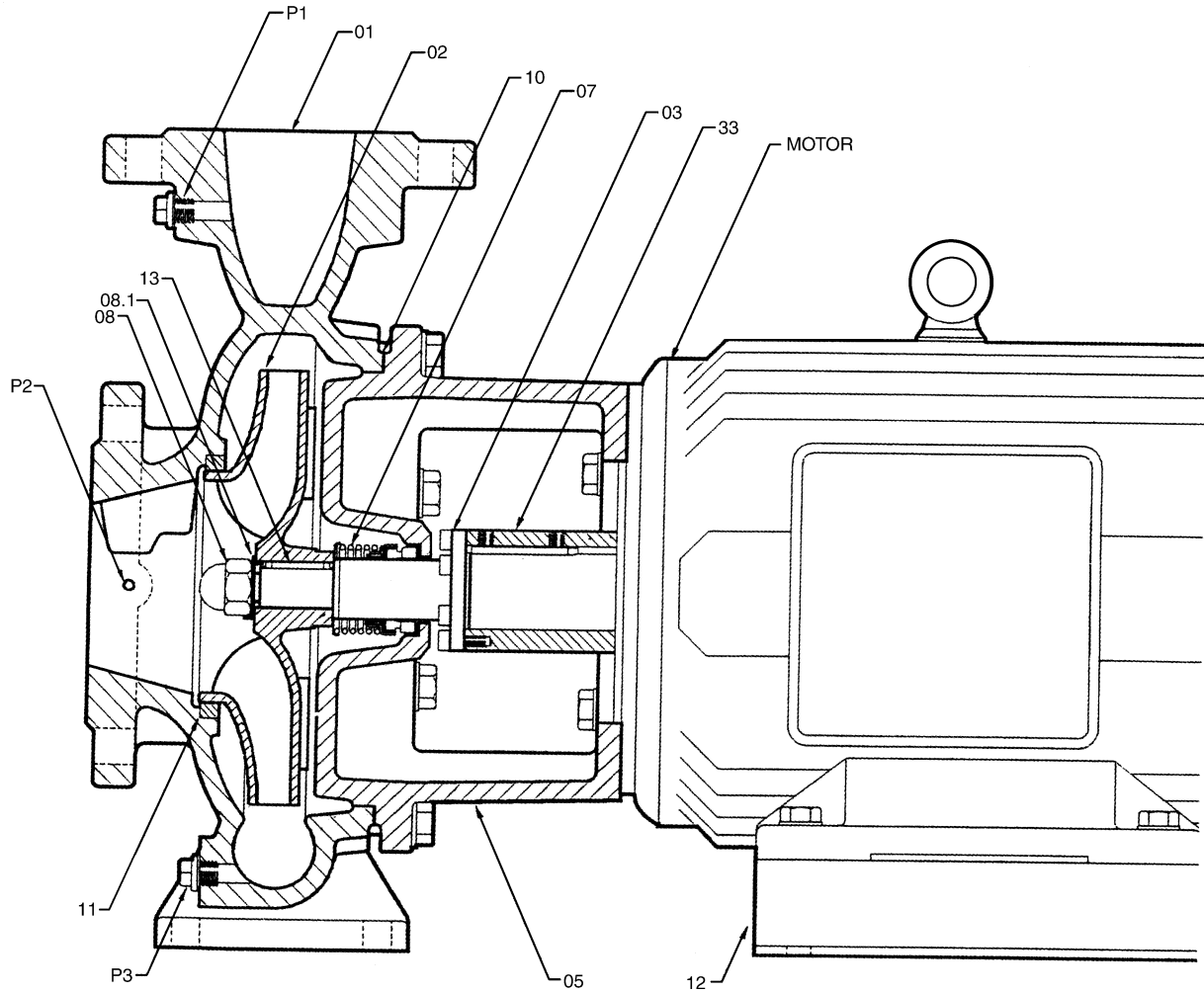
### Casing Wear Ring

- Cast iron
- Bronze

## **Shaft Seal**

Single carbon vs Ceramic mechanical seal with Nitrile elastomers as standard. Pumps can be fitted with wide variety of single and double mechanical seals or gland packed as required.

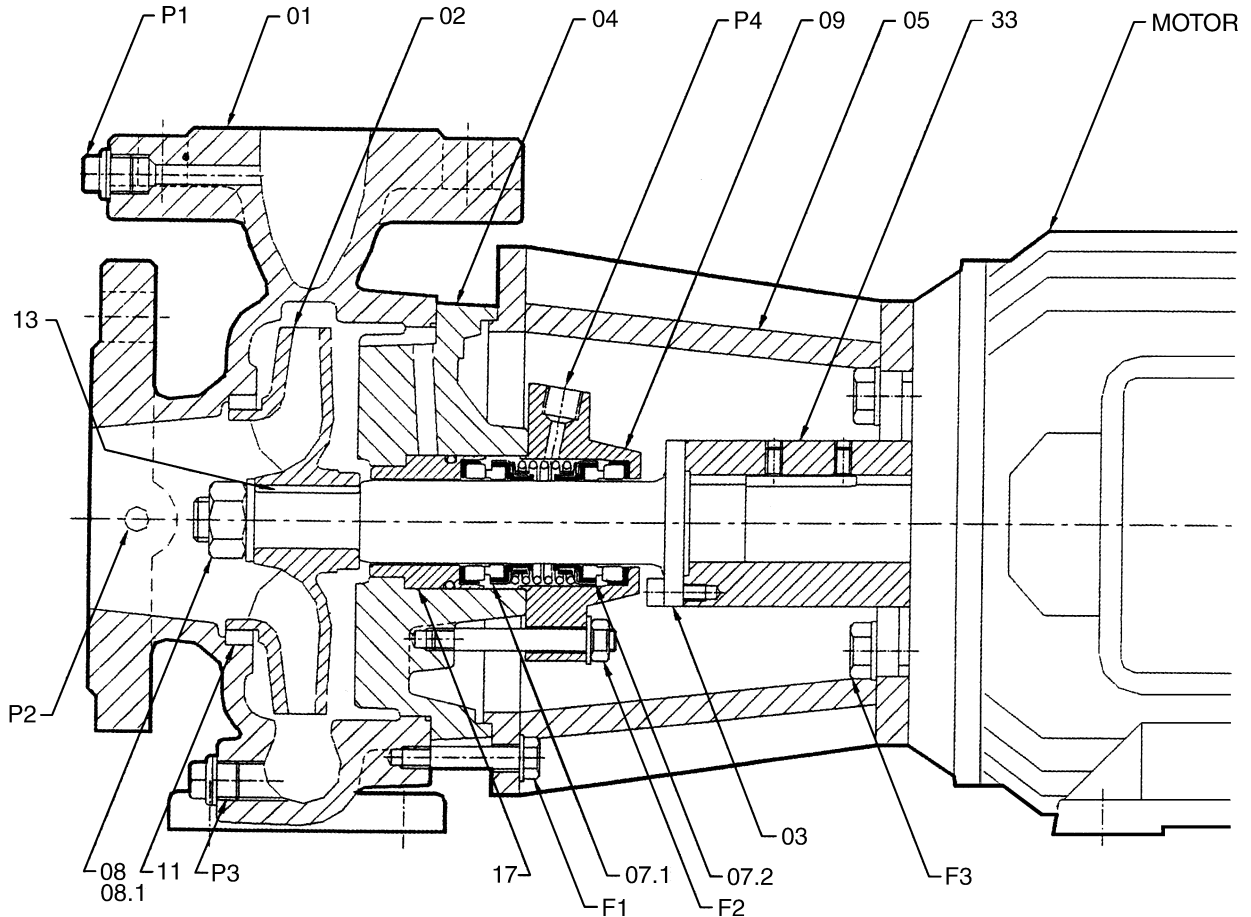
## Typical Cross Section



Item ref	Part	Code C	Code B
01	Casing	Cast iron	Cast iron
02	Impeller	Cast iron	LG4 Bronze
03	Stubshaft	Stainless steel	Stainless steel
05	Adaptor	Cast iron	Cast iron
07	Mechanical seal	Carbon/ceramic	Carbon/ceramic
08	Impeller nut	Steel	Bronze
08.1	Impeller washer	Steel	Bronze
10	Casing gasket	Gasket paper	Gasket paper
11	Casing wear ring	Cast iron	Cast Iron
12	Support foot	Mild steel	Mild steel
13	Impeller key	Key steel	Key steel
33	Motor sleeve	Steel	Steel
P1	Vent/gauge plug	Steel	Steel
P2	Suction gauge plug	Steel	Steel
P3	Drain plug	Steel	Steel

For power 5.5kw and below

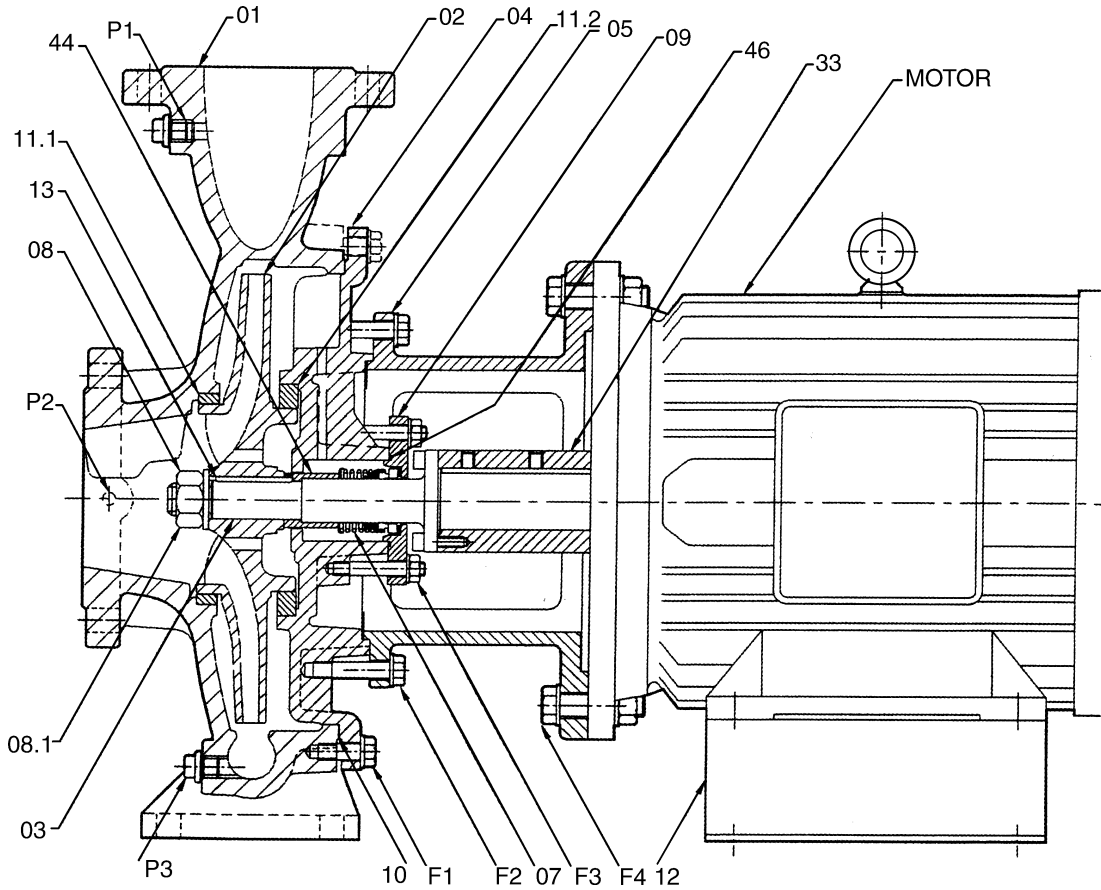
**Typical Cross Section**



Item ref	Part	Code C	Code B
01	Casing	Cast iron	Cast iron
02	Impeller	Cast iron	LG4 Bronze
03	Stubshaft	Stainless steel	Stainless steel
04	Backcover	Cast iron	Cast iron
05	Adaptor	Mild steel	Mild steel
07.1	Primary mechanical seal	SiC/SiC/Viton	SiC/SiC/Viton
07.2	Secondary mechanical seal	Carbon/ceramic	Carbon/ceramic
08	Impeller nut	Steel	Bronze
08.1	Impeller washer	Steel	Bronze
09	Glandplate	Stainless steel	Stainless steel
10	Casing gasket	Gasket paper	Gasket paper
11	Casing wear ring	Cast iron	Cast Iron
13	Impeller key	Key steel	Key steel
17	Primary seal carrier	Stainless steel	Stainless steel
33	Motor sleeve	Steel	Steel
P1	Vent/gauge plug	Steel	Steel
P2	Suction gauge plug	Steel	Steel
P3	Drain plug	Steel	Steel
P4	Seal flush connections		

For power 7.5kw to 15kw

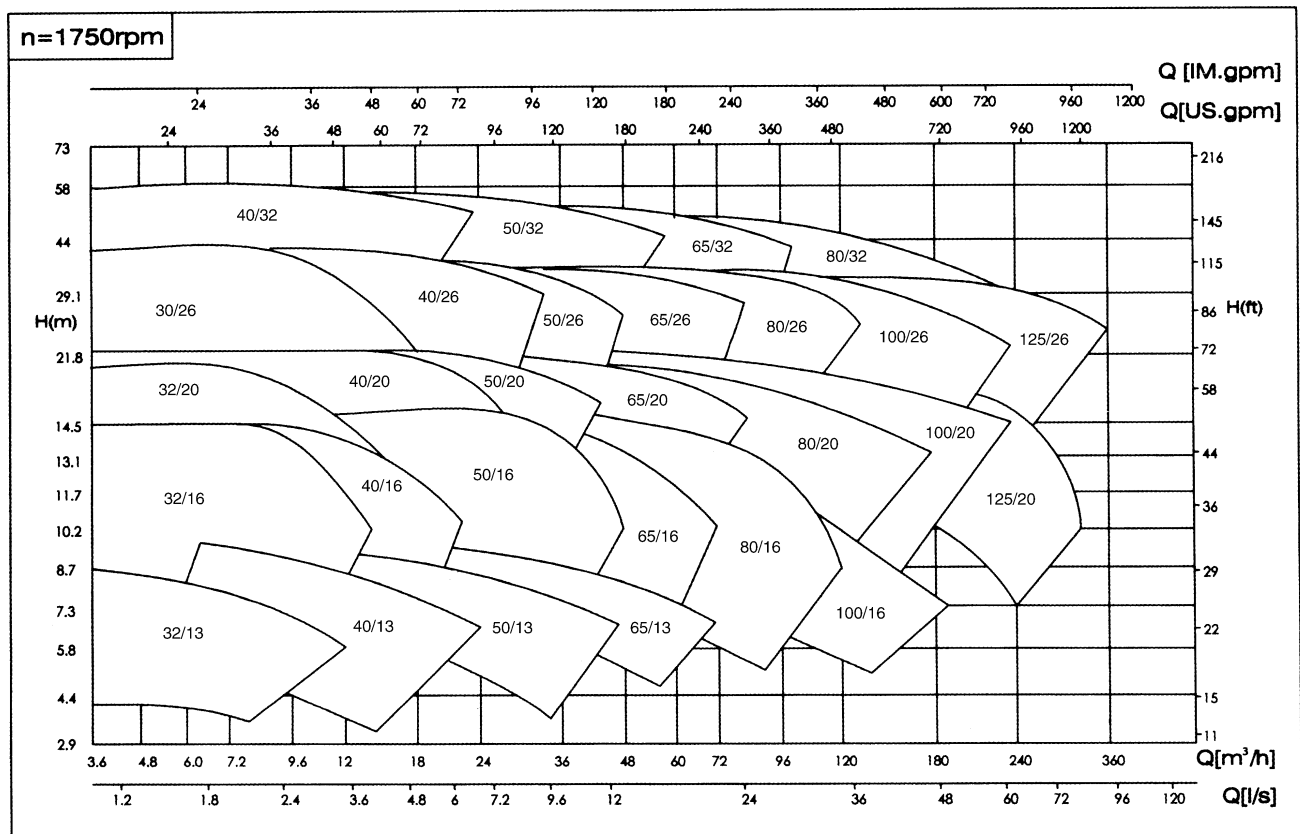
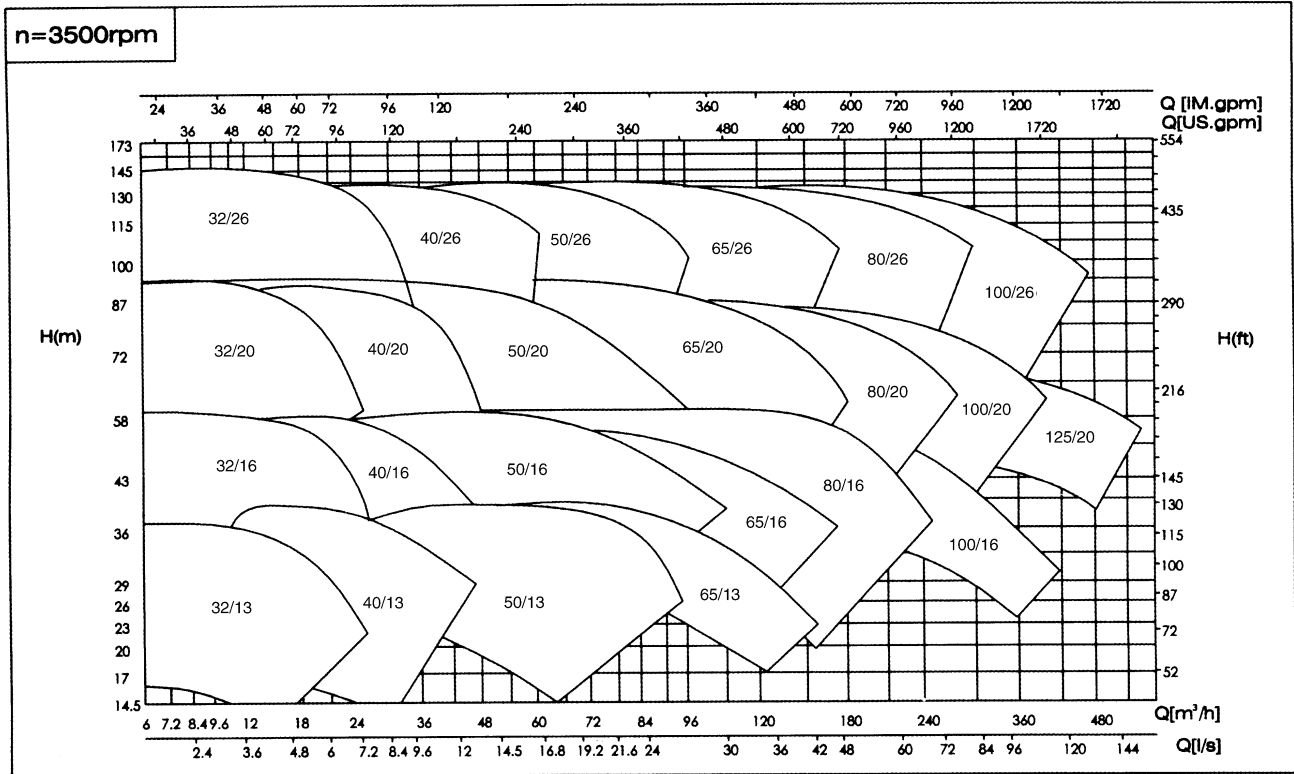
**Typical Cross Section**



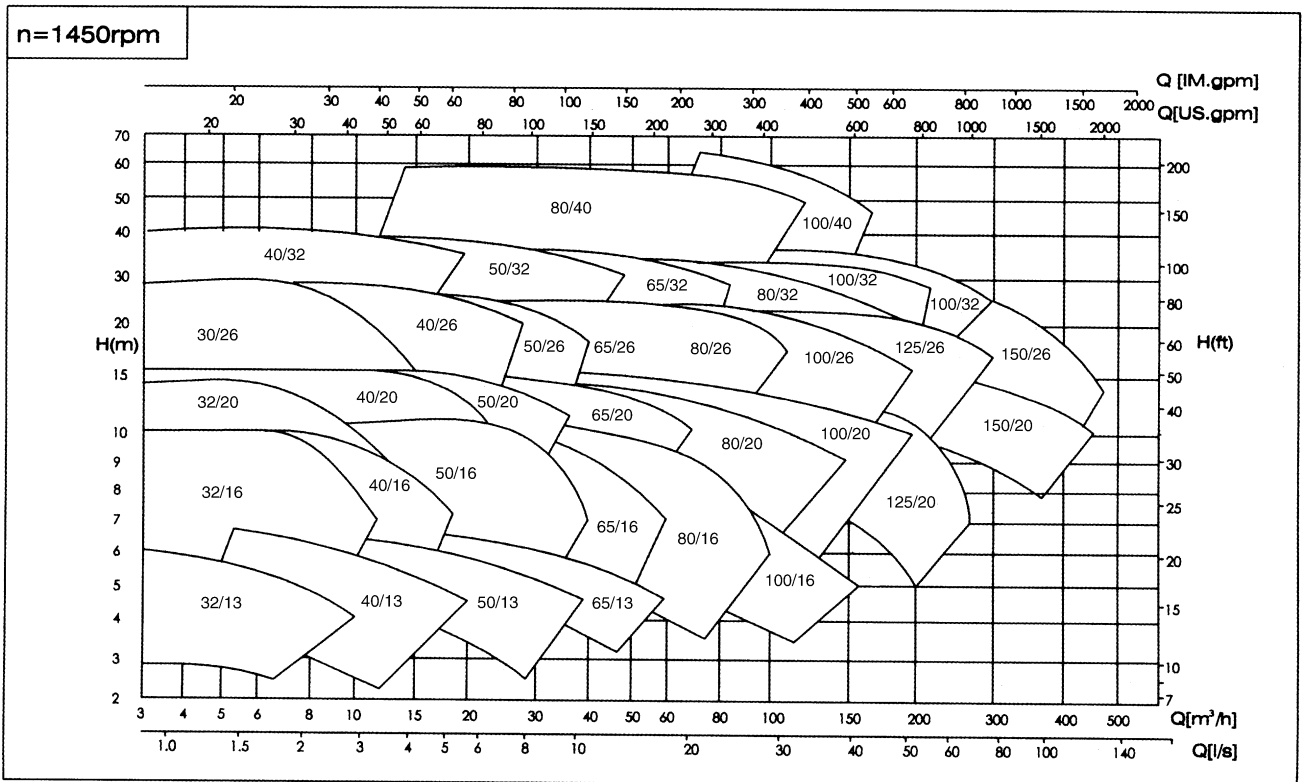
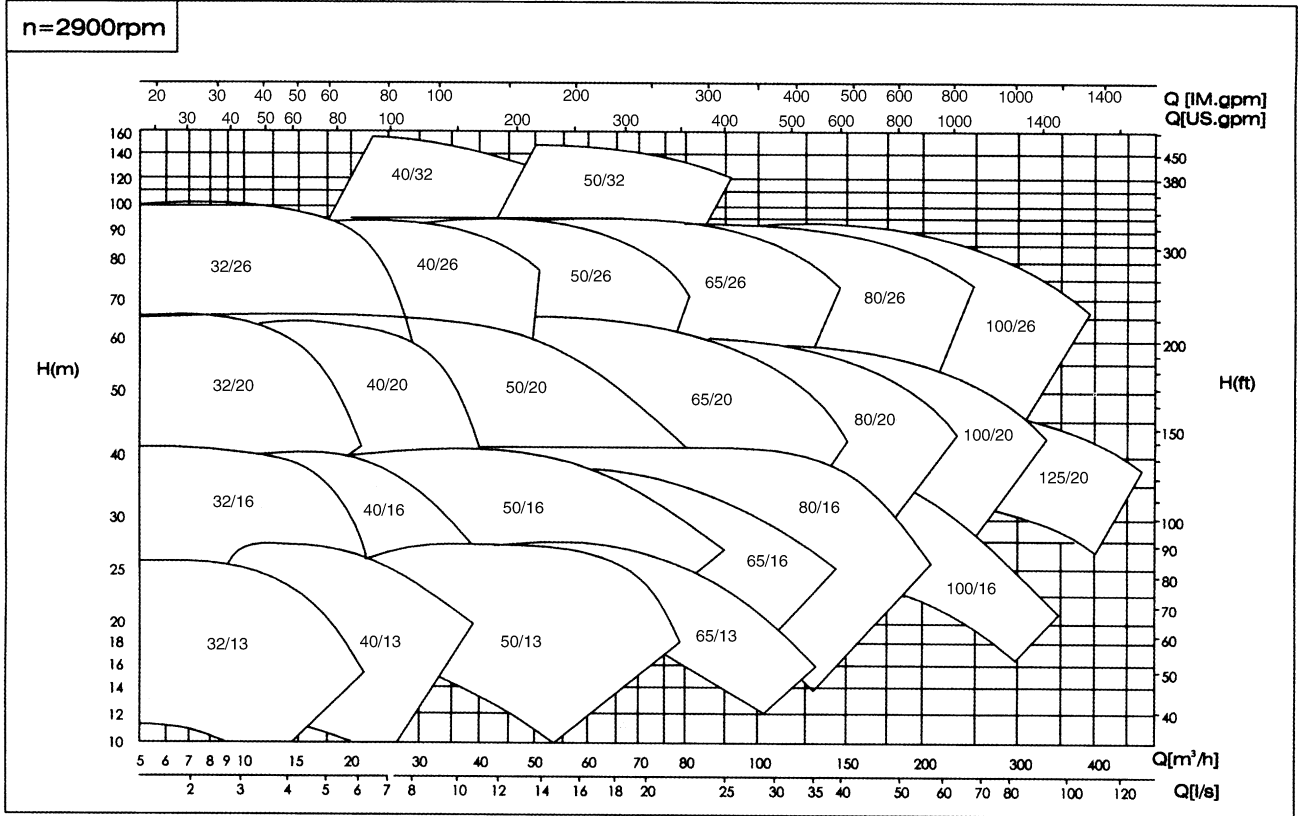
Item ref	Part	Code C	Code B
01	Casing	Cast iron	Cast iron
02	Impeller	Cast iron	LG4 Bronze
03	Stubshaft	Stainless steel	Stainless steel
04	Backcover	Cast iron	Cast iron
05	Adaptor	Cast iron	Cast iron
07	Mechanical seal	Carbon/ceramic	Carbon/ceramic
08	Impeller nut	Steel	Bronze
08.1	Impeller washer	Steel	Bronze
09	Glandplate	Cast iron	Cast iron
10	Casing gasket	Gasket paper	Gasket paper
11.1	Casing wear ring	Cast iron	Cast Iron
11.2	Backcover wear ring	Cast iron	Cast iron
12	Support foot	Mild steel	Mild steel
13	Impeller key	Key steel	Key steel
33	Motor sleeve	Steel	Steel
44	Spacer sleeve	Stainless steel	Stainless steel
46	Glandplate O ring	Nitrile	Nitrile
P1	Vent/gauge plug	Steel	Steel
P2	Suction gauge plug	Steel	Steel
P3	Drain plug	Steel	Steel
F1	Casing bolts	Steel	Steel
F2	Backcover bolts	Steel	Steel
F3	Gland studs	Steel	Steel
F4	Motor flange bolts	Steel	Steel

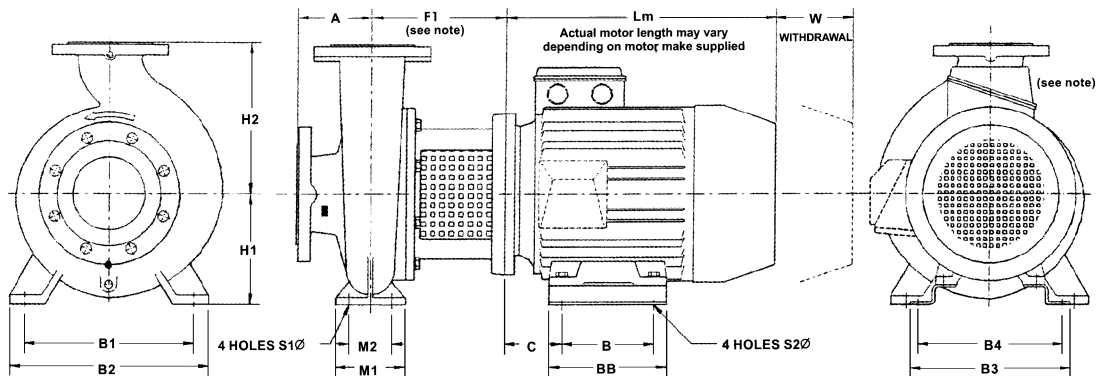
For power 18.5kw and above

## Selection Charts



### Selection Charts





**Pump Dimensions**

PUMP MODEL	MOTOR FRAME	FLANGES IN	OUT	PUMP DIMENSIONS										MOTOR DIMENSIONS						KG		
				A	F1	H1	H2	B1	B2	M1	M2	W	S1	B3	B4	Lm	B	BB	C		S2	
32-13	0.75/2	D80	50	32	80	170	112	140	140	190	100	70	100	14	207	189	345	100	125	50	10	32
32-13	1.1/2	D80	50	32	80	170	112	140	140	190	100	70	100	14	207	189	345	100	125	50	10	32
32-13	1.5/2	D90S	50	32	80	170	112	140	140	190	100	70	100	14	222	204	260	100	130	56	10	35
32-13	2.2/2	D90L	50	32	80	170	112	140	140	190	100	70	100	14	222	204	285	125	155	56	10	36
32-13	3.0/2	D100L	50	32	80	170	112	140	140	190	100	70	100	14	264	244	320	140	170	63	12	46
32-16	3.0/2	D100L	50	32	80	169	132	160	190	240	100	70	100	14	264	244	320	140	170	63	12	50
32-16	4.0/2	D112M	50	32	80	169	132	160	190	240	100	70	100	14	294	274	335	140	176	70	12	54
32-16	5.5/2	D132S	50	32	80	169	132	160	190	240	100	70	100	14	294	274	385	140	184	89	12	78
32-16	7.5/2	D132S	50	32	80	169	132	160	190	240	100	70	100	14	320	300	385	140	184	89	12	78
32-20	5.5/2	D132S	50	32	80	169	160	180	190	240	100	70	100	14	320	300	385	140	184	89	12	81
32-20	7.5/2	D132S	50	32	80	169	160	180	190	240	100	70	100	14	320	300	385	140	184	89	12	81
32-20	11.0/2	D160M	50	32	80	169	160	180	190	240	100	70	100	14	320	300	510	210	252	108	12	136
32-26	11.0/2	D160M	50	32	100	212	180	225	250	320	125	95	120	14	384	354	510	210	252	108	14	151
32-26	15.0/2	D160M	50	32	100	212	180	225	250	320	125	95	120	14	384	354	510	210	252	108	14	160
32-26	18.5/2	D160L	50	32	100	212	180	225	250	320	125	95	120	14	384	354	555	254	296	108	14	170
32-26	22.0/2	D180M	50	32	100	212	180	225	250	320	125	95	120	14	407	385	560	241	292	121	14	183
40-13	1.5/2	D90S	65	40	80	170	112	140	160	210	100	70	100	14	222	204	260	100	130	56	10	38
40-13	2.2/2	D90L	65	40	80	170	112	140	160	210	100	70	100	14	222	204	285	125	155	56	10	48
40-13	3.0/2	D100L	65	40	80	150	112	140	160	210	100	70	100	14	264	244	320	140	170	63	12	58
40-13	5.5/2	D132S	65	40	80	170	112	140	160	210	100	70	100	14	260	216	385	140	184	89	12	78
40-13	4.0/2	D112M	65	40	80	150	112	140	160	210	100	70	100	14	294	284	335	140	176	70	12	62
40-16	4.0/2	D112M	65	40	80	169	132	160	190	240	100	70	100	14	294	284	335	140	176	70	12	58
40-16	5.5/2	D132S	65	40	80	169	132	160	190	240	100	70	100	14	260	216	385	140	184	89	12	74
40-16	7.5/2	D132S2	65	40	80	169	132	160	190	240	100	70	100	14	320	300	385	140	184	89	12	79
40-16	11.0/2	D160M	65	40	80	169	132	160	190	240	100	70	100	14	384	354	510	210	252	108	14	115
40-20	7.5/2	D132S2	65	40	100	165	160	180	212	265	100	70	100	14	320	300	385	140	184	89	12	84
40-20	11.0/2	D160M	65	40	100	205	160	180	212	265	100	70	100	14	384	354	510	210	252	108	14	130
40-20	15.0/2	D160M	65	40	100	205	160	180	212	265	100	70	100	14	384	354	510	210	252	108	14	156
40-26	15.0/2	D160M	65	40	100	212	180	225	250	320	125	95	120	14	384	354	510	210	252	108	14	151
40-26	18.5/2	D160L	65	40	100	212	180	225	250	320	125	95	120	14	384	354	555	254	296	108	14	166
40-26	22.0/2	D180M	65	40	100	212	180	225	250	320	125	95	120	14	407	385	560	241	292	121	14	179
40-32	18.5/2	D160L	65	40	125	250	200	250	280	345	125	95	140	14	384	354	555	254	296	108	14	198
40-32	22.0/2	D180M	65	40	125	250	200	250	280	345	125	95	140	14	407	383	560	241	292	121	14	211



**Pump Dimensions**

PUMP MODEL	MOTOR FRAME	FLANGES		PUMP DIMENSIONS										MOTOR DIMENSIONS							KG	
		IN	OUT	A	F1	H1	H2	B1	B2	M1	M2	W	S1	B3	B4	Lm	B	BB	C	S2		
50-13	3.0/2	D100L	65	50	100	150	132	160	190	240	100	70	100	14	264	244	320	140	170	63	12	52
50-13	4.0/2	D112M	65	50	100	150	132	160	190	240	100	70	100	14	294	274	335	140	176	70	12	56
50-13	5.5/2	D132S	65	50	100	170	132	160	190	240	100	70	100	14	320	300	385	140	184	89	12	72
50-13	7.5/2	D132S	65	50	100	170	132	160	190	240	100	70	100	14	320	200	385	140	184	89	12	72
50-13	11.0/2	D160M	65	50	100	170	132	160	190	240	100	70	100	14	384	354	510	210	252	108	14	118
50-16	7.5/2	D132S	65	50	100	169	160	180	212	265	100	70	100	14	320	300	385	140	184	89	12	78
50-16	11.0/2	D160M	65	50	100	209	160	180	212	265	100	70	100	14	384	354	510	210	252	108	14	124
50-16	15.0/2	D160M	65	50	100	209	160	180	212	265	100	70	100	14	384	354	510	210	252	108	14	150
50-16	18.5/2	D160L	65	50	100	209	160	180	212	265	100	70	100	14	384	354	555	254	296	108	14	148
50-20	15.0/2	D160M	65	50	100	211	160	200	212	265	100	70	100	14	384	354	510	210	252	108	14	132
50-20	18.5/2	D160L	65	50	100	211	160	200	212	265	100	70	100	14	384	354	555	254	296	108	14	148
50-20	22.0/2	D180M	65	50	100	211	160	200	212	265	100	70	100	14	407	383	560	241	292	121	14	161
50-26	22.0/2	D180M	65	50	100	212	180	225	250	320	125	95	120	14	407	383	560	241	292	121	14	179
50-26	30.0/2	D200L	65	50	100	212	180	225	250	320	125	95	120	14	529	479	660	305	365	133	18	255
50-32	30.0/2	D200L	65	50	125	250	225	280	280	345	125	95	140	14	529	479	660	305	365	133	18	328
50-32	37.0/2	D200L	65	50	125	250	225	280	280	345	125	95	140	14	529	479	660	286	344	133	18	328
50-32	45.0/2	D225M	65	50	125	250	225	280	280	345	125	95	140	14	529	479	705	311	369	149	18	371
65-13	5.5/2	D132S	80	65	100	170	160	180	212	280	125	95	100	14	320	300	385	140	184	89	12	80
65-13	7.5/2	D132S	80	65	100	170	160	180	212	280	125	95	100	14	320	300	385	140	184	89	12	80
65-13	11.0/2	D160M	80	65	100	170	160	180	212	280	125	95	100	14	384	354	510	210	252	108	14	126
65-13	15.0/2	D160M	80	65	100	170	160	180	212	280	125	95	100	14	384	354	510	210	252	108	14	126
65-16	11.0/2	D160M	80	65	100	209	160	200	212	280	125	95	100	14	384	354	510	210	252	108	14	142
65-16	15.0/2	D160M	80	65	100	209	160	200	212	280	125	95	100	14	384	354	510	210	252	108	14	142
65-16	18.5/2	D160L	80	65	100	209	160	200	212	280	125	95	100	14	384	354	555	254	296	108	14	142
65-16	22.0/2	D180M	80	65	100	209	180	200	212	280	125	95	100	14	407	383	560	241	292	121	14	155
65-20	18.5/2	D160L	80	65	100	209	180	225	250	320	125	95	100	14	384	354	555	254	296	108	14	151
65-20	22.0/2	D180M	80	65	100	209	180	225	250	320	125	95	100	14	407	383	560	241	292	121	14	164
65-20	30.0/2	D200L	80	65	100	209	180	225	250	320	125	95	100	14	407	383	660	305	365	133	18	255
65-26	30.0/2	D200L	80	65	100	210	200	250	280	360	160	120	100	18	407	383	660	305	365	133	18	285
65-26	37.0/2	D200L	80	65	100	210	200	250	280	360	160	120	100	18	407	383	660	305	365	133	18	285
65-26	45.0/2	D225M	80	65	100	210	225	250	280	360	160	120	100	18	407	383	705	311	369	149	18	310
80-16	11.0/2	D160M	100	80	125	207	180	225	250	320	125	95	100	14	384	354	510	210	252	108	14	141
80-16	15.0/2	D160M	100	80	125	207	180	225	250	320	125	95	100	14	384	354	510	210	252	108	14	141
80-16	18.5/2	D160L	100	80	125	207	180	225	250	320	125	95	100	14	384	354	555	254	296	108	14	156
80-16	22.0/2	D180M	100	80	125	167	180	225	250	320	125	95	100	14	407	383	560	241	292	121	14	169
80-16	30.0/2	D200L	100	80	125	167	180	225	250	320	125	95	100	14	407	383	660	305	365	133	18	245
80-20	30.0/2	D200L	100	80	125	226	200	250	280	345	125	95	120	14	407	383	660	305	365	133	18	287
80-20	37.0/2	D200L	100	80	125	226	200	250	280	345	125	95	120	14	407	383	660	305	365	133	18	287
80-20	45.0/2	D225M	100	80	125	226	225	250	280	345	125	95	120	14	407	383	705	311	369	149	18	312
100-16	18.5/2	D160L	125	100	125	255	200	250	280	360	160	120	140	18	384	354	555	254	296	108	14	176
100-16	22.0/2	D180M	125	100	125	255	200	250	280	360	160	120	140	18	407	383	560	241	292	121	14	189
100-16	30.0/2	D200L	125	100	125	255	200	250	280	360	160	120	140	18	407	383	660	305	365	133	18	261
100-16	37.0/2	D200L	125	100	125	255	200	250	280	360	160	120	140	18	407	383	660	305	365	133	18	261
100-20	30.0/2	D200L	125	100	125	226	200	280	280	360	160	120	140	18	407	383	660	305	365	133	18	291
100-20	37.0/2	D200L	125	100	125	226	200	280	280	360	160	120	140	18	407	383	660	305	365	133	18	291
100-20	45.0/2	D225M	125	100	125	226	225	280	280	360	160	120	140	18	407	383	705	311	369	149	18	316

**Pump Dimensions**

PUMP MODEL	MOTOR FRAME	FLANGES		PUMP DIMENSIONS										MOTOR DIMENSIONS							KG
		IN	OUT	A	F1	H1	H2	B1	B2	M1	M2	W	S1	B3	B4	Lm	B	BB	C	S2	
32-13 0.55/4	D80	50	32	80	170	112	140	140	190	100	70	100	14	207	189	245	100	125	50	10	32
32-16 0.55/4	D80	50	32	80	169	132	160	190	240	100	70	100	14	207	189	245	100	125	50	10	36
32-16 0.75/4	D80	50	32	80	170	112	140	140	190	100	70	100	14	207	189	345	100	125	50	10	32
32-16 1.1/4	D90S	50	32	80	170	112	140	140	190	100	70	100	14	222	204	260	100	130	56	10	40
32-20 0.75/4	D80	50	32	80	169	160	180	190	240	100	70	100	14	207	189	245	100	125	50	10	47
32-20 1.1/4	D90S	50	32	80	169	160	180	190	240	100	70	100	14	222	204	260	100	130	56	10	50
32-20 1.5/4	D90L	50	32	80	169	160	180	190	240	100	70	100	14	222	204	285	125	155	56	10	51
32-26 1.5/4	D90L	50	32	100	172	180	225	250	320	125	95	120	14	222	204	285	125	155	56	10	75
32-26 2.2/4	D100L	50	32	100	172	180	225	250	320	125	95	120	14	264	244	320	140	170	63	12	85
32-26 3.0/4	D100L	50	32	80	172	180	225	250	320	125	95	120	14	264	244	320	140	170	63	12	85
32-26 4.0/4	D112M	50	32	80	172	180	225	250	320	125	95	120	14	294	274	335	140	176	70	12	89
40-13 0.55/4	D80	65	40	80	170	112	140	160	210	100	70	100	14	207	189	245	100	125	50	10	34
40-13 0.75/4	D80	65	40	80	170	112	140	160	210	100	70	100	14	207	189	245	100	125	50	10	34
40-16 0.75/4	D80	65	40	80	169	132	160	190	240	100	70	100	14	207	189	245	100	125	50	10	40
40-16 1.1/4	D90S	65	40	80	169	132	160	190	240	100	70	100	14	222	204	260	100	130	56	10	43
40-20 1.1/4	D90S	65	40	100	165	160	180	212	265	100	70	100	14	222	204	260	100	130	56	10	51
40-20 1.5/4	D90L	65	40	100	165	160	180	212	265	100	70	100	14	222	204	285	125	155	56	10	52
40-20 2.2/4	D100L	65	40	100	165	160	180	212	265	100	70	100	14	264	244	320	140	170	63	12	62
40-26 2.2/4	D100L	65	40	100	172	180	225	250	320	125	95	120	14	264	244	320	140	170	63	12	85
40-26 3.0/4	D100L	65	40	100	172	180	225	250	320	125	95	120	14	264	244	320	140	170	63	12	85
40-26 4.0/4	D112M	65	40	100	172	180	225	250	320	125	95	120	14	294	274	335	140	176	70	12	89
40-32 4.0/4	D112M	65	40	125	210	200	250	280	345	125	95	140	14	294	274	335	140	176	70	12	117
40-32 5.5/4	D132S	65	40	125	210	200	250	280	345	125	95	140	14	320	300	385	140	184	89	12	133
50-13 0.55/4	D80	65	50	100	170	132	160	190	240	100	70	100	14	207	189	245	100	125	50	10	42
50-13 0.75/4	D80	65	50	100	170	132	160	190	240	100	70	100	14	207	189	245	100	125	50	10	42
50-13 1.1/4	D90S	65	50	100	170	132	160	190	240	100	70	100	14	222	204	260	100	130	56	10	45
50-13 2.2/4	D100L	65	50	100	170	132	160	190	240	100	70	100	14	222	204	285	125	155	56	10	46
50-16 1.1/4	D90S	65	50	100	169	160	180	212	265	100	70	100	14	222	204	260	100	130	56	10	47
50-16 1.5/4	D90L	65	50	100	169	160	180	212	265	100	70	100	14	222	204	285	125	155	56	10	48
50-20 1.5/4	D90L	65	50	100	171	160	200	212	265	100	70	100	14	222	204	285	125	155	56	10	56
50-20 2.2/4	D100L	65	50	100	171	160	200	212	265	100	70	100	14	264	244	320	140	170	63	12	66
50-20 3.0/4	D100L	65	50	100	171	160	200	212	265	100	70	100	14	264	244	320	140	170	63	12	66
50-20 4.0/4	D112M	65	50	100	171	160	200	212	265	100	70	100	14	294	274	335	140	176	70	12	70
50-26 3.0/4	D100L	65	50	100	172	180	225	250	320	125	95	120	14	264	244	320	140	170	63	12	85
50-26 4.0/4	D112M	65	50	100	172	180	225	250	320	125	95	120	14	294	274	335	140	170	70	12	89
50-26 5.5/4	D132S	65	50	100	172	180	225	250	320	125	95	120	14	320	300	385	140	184	89	12	105
50-26 7.5/4	D132M	65	50	100	172	180	225	250	320	125	95	120	14	320	300	385	140	222	89	12	125
50-32 5.5/4	D132S	65	50	125	250	225	280	280	345	125	95	140	14	320	300	385	140	184	89	12	141
50-32 7.5/4	D132M	65	50	125	250	225	280	280	345	125	95	140	14	320	300	425	178	222	89	12	145
50-32 11.0/4	D160M	65	50	125	250	225	280	280	345	125	95	140	14	384	354	510	210	252	108	14	187
55-13 0.75/4	D80	80	65	100	170	160	180	212	280	125	95	100	14	207	189	245	100	125	50	10	46
55-13 1.1/4	D90S	80	65	100	170	160	180	212	280	125	95	100	14	222	204	260	100	130	56	10	49
65-13 1.5/4	D90L	80	65	100	170	160	180	212	280	125	95	100	14	222	204	285	125	155	56	10	50
65-13 2.2/4	D100L	80	65	100	170	160	180	212	280	125	95	100	14	264	244	320	140	170	63	12	60
65-16 1.5/4	D90L	80	65	100	169	160	200	212	280	125	95	100	14	222	204	285	125	155	56	12	51
65-16 2.2/4	D100L	80	65	100	169	160	200	212	280	125	95	100	14	264	244	320	140	170	63	12	61
65-20 3.0/4	D100L	80	65	100	169	180	225	250	320	125	95	100	14	264	244	320	140	170	63	12	70
65-20 4.0/4	D112M	80	65	100	169	180	225	250	320	125	95	100	14	294	274	335	140	176	70	12	74
65-20 5.5/4	D100L	80	65	100	169	160	200	212	280	125	95	100	14	264	244	320	140	170	63	12	61
65-26 5.5/4	D132S	80	65	100	170	200	250	280	360	160	120	100	18	320	300	385	140	184	89	12	116
65-26 7.5/4	D132M	80	65	100	170	200	250	280	360	160	120	100	18	320	300	425	178	222	89	12	120
65-26 11.0/4	D160M	80	65	100	170	200	250	180	360	160	120	100	18	384	354	510	210	252	108	14	162
65-32 7.5/4	D132M	80	65	125	235	225	280	315	400	160	120	100	18	320	300	425	178	222	89	12	154
65-32 11.0/4	D160M	80	65	125	265	225	280	315	400	160	120	100	18	384	354	510	210	252	108	14	196
65-32 15.0/4	D160L	80	65	125	265	225	280	315	400	160	120	100	18	384	354	555	254	296	108	14	211
65-32 18.5/4	D180L	80	65	125	265	225	280	315	400	160	120	100	18	407	383	560	241	292	121	14	243

**Pump Dimensions**

PUMP MODEL	MOTOR FRAME	FLANGES IN OUT	PUMP DIMENSIONS										MOTOR DIMENSIONS							KG
			A	F1	H1	H2	B1	B2	M1	M2	W	S1	B3	B4	Lm	B	BB	C	S2	
80-16 1.5/4	D90L	100 80	125	167	180	225	250	320	125	95	100	14	222	204	285	125	155	56	10	65
80-16 2.2/4	D100L	100 80	125	167	180	225	250	320	125	95	100	14	264	244	320	140	170	63	12	75
80-16 3.0/4	D100L	100 80	125	167	180	225	250	320	125	95	100	14	264	244	320	140	170	63	12	75
80-16 4.4/4	D112M	100 80	125	167	180	225	250	320	125	95	100	14	294	274	335	140	176	63	12	79
80-20 4.0/4	D112M	100 80	125	186	180	250	280	345	125	95	120	14	294	274	335	140	176	70	12	102
80-20 5.5/4	D132S	100 80	125	186	180	250	280	345	125	95	120	14	320	300	385	140	184	89	12	118
80-20 7.5/4	D132M	100 80	125	186	180	250	280	345	125	95	120	14	320	300	425	178	222	89	12	122
80-20 11.0/4	D160M	100 80	125	186	180	250	280	345	125	95	120	14	384	354	510	210	252	108	14	164
80-26 7.5/4	D132M	100 80	125	170	200	280	315	400	160	120	120	18	320	300	425	178	222	89	12	131
80-26 11.0/4	D160M	100 80	125	210	200	280	315	400	160	120	120	18	384	354	510	210	252	108	14	173
80-26 15.0/4	D160L	100 80	125	210	200	280	315	400	160	120	120	18	384	354	555	254	296	108	14	188
80-32 11.0/4	D160M	100 80	125	250	250	315	315	400	160	120	120	18	384	354	510	210	252	108	14	205
80-32 15.0/4	D160L	100 80	125	250	250	315	315	400	160	120	120	18	384	354	555	254	296	108	14	220
80-32 18.5/4	D180M	100 80	125	250	250	315	315	400	160	120	120	18	407	383	560	241	292	121	14	252
80-32 22.0/4	D180L	100 80	125	250	250	315	315	400	160	120	120	18	437	394	600	279	329	121	14	306
80-40 18.5/4	D180M	100 80	125	255	280	355	340	440	160	120	120	18	407	383	560	241	292	121	14	279
80-40 22.0/4	D180L	100 80	125	255	280	355	340	440	160	120	120	18	437	394	600	279	329	121	14	333
80-40 30.0/4	D200L	100 80	125	255	280	355	340	440	160	120	120	18	529	479	660	305	365	133	14	394
100-16 2.2/4	D100L	125 100	125	225	200	250	280	360	160	120	140	18	264	244	320	140	170	63	12	75
100-16 3.0/4	D112M	125 100	125	225	200	250	280	360	160	120	140	18	294	274	335	140	176	63	12	75
100-16 4.0/4	D112M	125 100	125	225	200	250	280	360	160	120	140	18	294	274	335	140	176	70	12	79
100-16 5.5/4	D132S	125 100	125	225	200	250	280	360	160	120	140	18	320	300	385	140	184	89	12	95
100-20 4.0/4	D112M	125 100	125	186	200	280	280	360	160	120	120	18	294	274	335	140	176	70	12	106
100-20 5.5/4	D132S	125 100	125	186	200	280	280	360	160	120	120	18	320	300	385	140	184	89	12	122
100-20 7.5/4	D132M	125 100	125	186	200	280	280	360	160	120	120	18	320	300	425	178	222	89	12	126
100-20 11.0/4	D160M	125 100	125	186	200	280	280	360	160	120	120	18	384	354	510	210	252	108	14	168
100-20 15.0/4	D160L	125 100	125	186	200	280	280	360	160	120	120	18	384	354	555	254	296	108	14	183
100-26 15.0/4	D160L	125 100	125	250	225	280	315	400	160	120	120	18	384	354	555	254	296	108	12	220
100-26 18.5/4	D180M	125 100	125	250	225	280	315	400	160	120	120	18	407	383	560	241	292	121	14	238
100-26 22.0/4	D180L	125 100	125	250	225	280	315	400	160	120	120	18	437	394	600	279	327	121	14	292
100-26 30.0/4	D200L	125 100	125	250	225	280	315	400	160	120	120	18	529	479	660	305	365	133	14	353
100-32 18.5/4	D180M	125 100	125	255	250	315	315	400	160	120	120	18	407	383	560	241	292	121	14	350
100-32 22.0/4	D180L	125 100	125	255	250	315	315	400	160	120	120	18	437	394	600	279	327	121	14	404
100-32 30.0/4	D200L	125 100	125	255	250	315	315	400	160	120	120	18	529	479	660	305	365	133	14	465
125-20 11.0/4	D160M	150 125	140	250	250	315	315	400	160	120	100	18	384	354	510	210	252	108	14	195
125-20 15.0/4	D160L	150 125	140	250	250	315	315	400	160	120	100	18	384	354	510	210	252	108	14	220
125-20 18.5/4	D180M	150 125	140	250	250	315	315	400	160	120	100	18	407	383	560	241	292	121	14	252
125-26 18.5/4	D180M	150 125	140	255	250	355	315	400	160	120	120	18	407	383	560	241	292	121	14	360
125-26 22.0/4	D180L	150 125	140	255	250	315	315	400	160	120	120	18	437	394	600	279	329	121	14	390
125-26 30.0/4	D200L	150 125	140	255	250	315	315	400	160	120	120	18	529	479	660	305	365	133	14	475
125-32 22.0/4	D180L	150 125	140	255	280	355	400	500	200	150	120	23	437	394	600	279	329	121	14	409
125-32 30.0/4	D200L	150 125	140	255	280	355	400	500	200	150	120	23	529	479	660	305	365	133	14	410
150-20 18.5/4	D180M	200 150	160	255	280	400	450	550	200	150	120	23	407	383	560	241	292	121	14	380
150-20 22.0/4	D180L	200 150	160	255	280	400	450	550	200	150	120	23	437	394	600	279	327	121	14	434
150-20 30.0/4	D200L	200 150	160	255	280	400	450	550	200	150	120	23	529	479	660	305	365	133	14	495
150-26 18.5/4	D180M	200 150	160	255	280	400	450	550	200	150	120	23	407	383	560	241	292	121	14	375
150-26 22.0/4	D180L	200 150	160	255	280	400	450	550	200	150	120	23	437	394	600	279	327	121	14	429
150-26 30.0/4	D200L	200 150	160	255	280	400	450	550	200	150	120	23	529	479	660	305	365	131	14	490



**PARAGON PUMP COMPANY, LLC**

18102 Courtney Breeze Drive  
Tampa, Florida, 33647, USA  
Tel : (813) 994-3356  
Fax : (813) 994-1237

**PARAGON PUMP (ASIA) PTE LTD**

37 Kallang Pudding Road #08-08  
Tong Lee Building Block B  
Singapore 349315  
Tel : (65) 6841-2818  
Fax : (65) 6841-5988