



SPT/SPU SERIES PUMP



PARAGON PUMP COMPANY, LLC
18102 Courtney Breeze Drive
Tampa, Florida 33647, USA
Tel : (813) 994-3356
Fax : (813) 994-1237

Your Local Distributor:

SERIES SPT



CONSTRUCTION MATERIALS

	STANDARD	TYPE A	TYPE B	TYPE C	TYPE D	TYPE E	TYPE F	TYPE G
CASING	A 48CL30					CD4 MCU	SS 316	ADI
IMPELLER	A 60-40-18	A 216	CD4 MCU	SS 316	ADI	CD4 MCU	SS 316	ADI
WEAR PLATE	SAE 1020	A 216	CD4 MCU	SS 316	ADI	CD4 MCU	SS 316	ADI
COVER PLATE	A 48CL30	A 216	CD4 MCU	SS 316	ADI	CD4 MCU	SS 316	ADI
BEARING HOUSING	A 48CL30					CD4 MCU	SS 316	ADI
SEAL PLATE	A 48CL30	A 216	CD4 MCU	SS 316	ADI	CD4 MCU	SS 316	ADI
FLAP VALVE	Neoprene					Viton		
SLEEVE SHAFT	ANSI 4140HT	ANSI 17-4						
FLANGE	A 48CL30				ADI	SS 316	SS 316	ADI
O'RINGS	Buna		Viton					
IMPELLER SHAFT	ANSI 4140HT	ANSI 17-4						
MECHANICAL SEAL	Casing in SS 316, O' rings in Buna & Viton, faces in titanium and tungsten carbide							

THE MECHANICAL SEAL FOR ALL MODELS HAS A 316SS BODY, VITON O'RINGS AND TUNGSTEN CARBIDE FACES. OTHER SEALS AVAILABLE UPON REQUEST.

ALL CAST IRON PARTS ARE ASTM 48, CLASS 30.

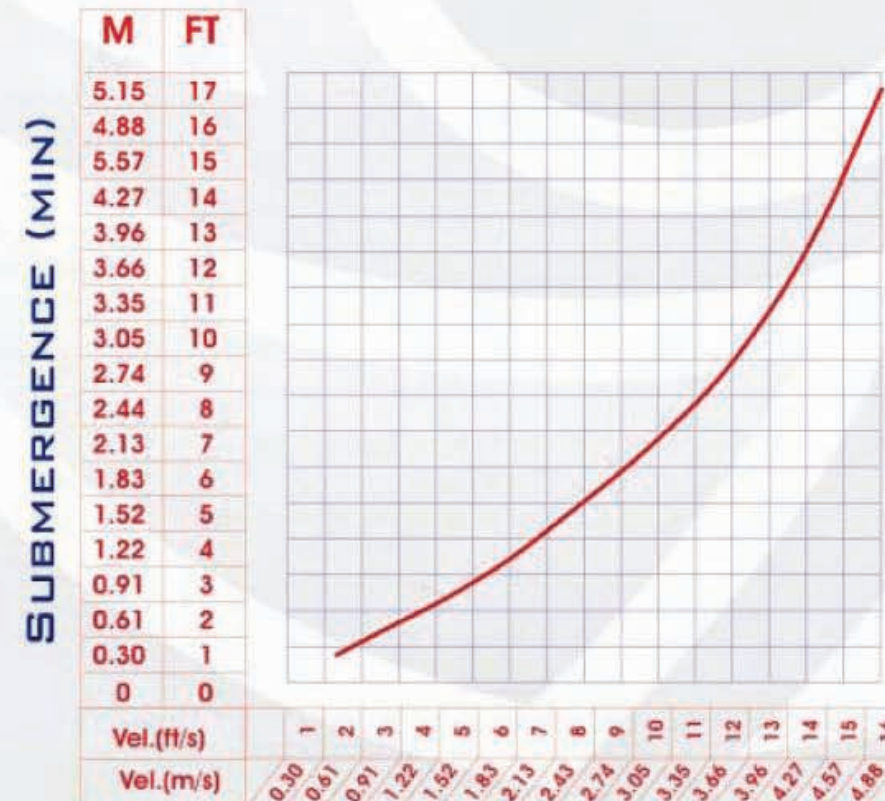
ALL CARBON STEEL SHAFTS ARE SAE 4140 HT

ALL PARTS LABELED CD4 ARE HARDENED 18-8 STAINLESS STEEL, CD4, DIN 1-4463

ALL PARTS LABELED 316SS ARE CF8M

EPDXY AND CERAMIC INTERNAL COATINGS ARE AVAILABLE. PLEASE CALL FOR QUOTE.

SUCTION SPEED FLOW CURVE



NOTE 1: THE SUGGESTED SUCTION SHOULD HAVE THE SAME NOMINAL DIAMETER AS THE PUMP, SO THAT THE SOLIDS WILL BE TOTALLY SWEEPED UP.

2: IF THE SPEED IS HIGHER THAN 3.5 M/S AND IF THERE IS A NEED FOR HIGHER "NPSH", PLEASE CONTACT THE FACTORY.



SERIES SPT

MODEL SPT-2



DATA SHEET

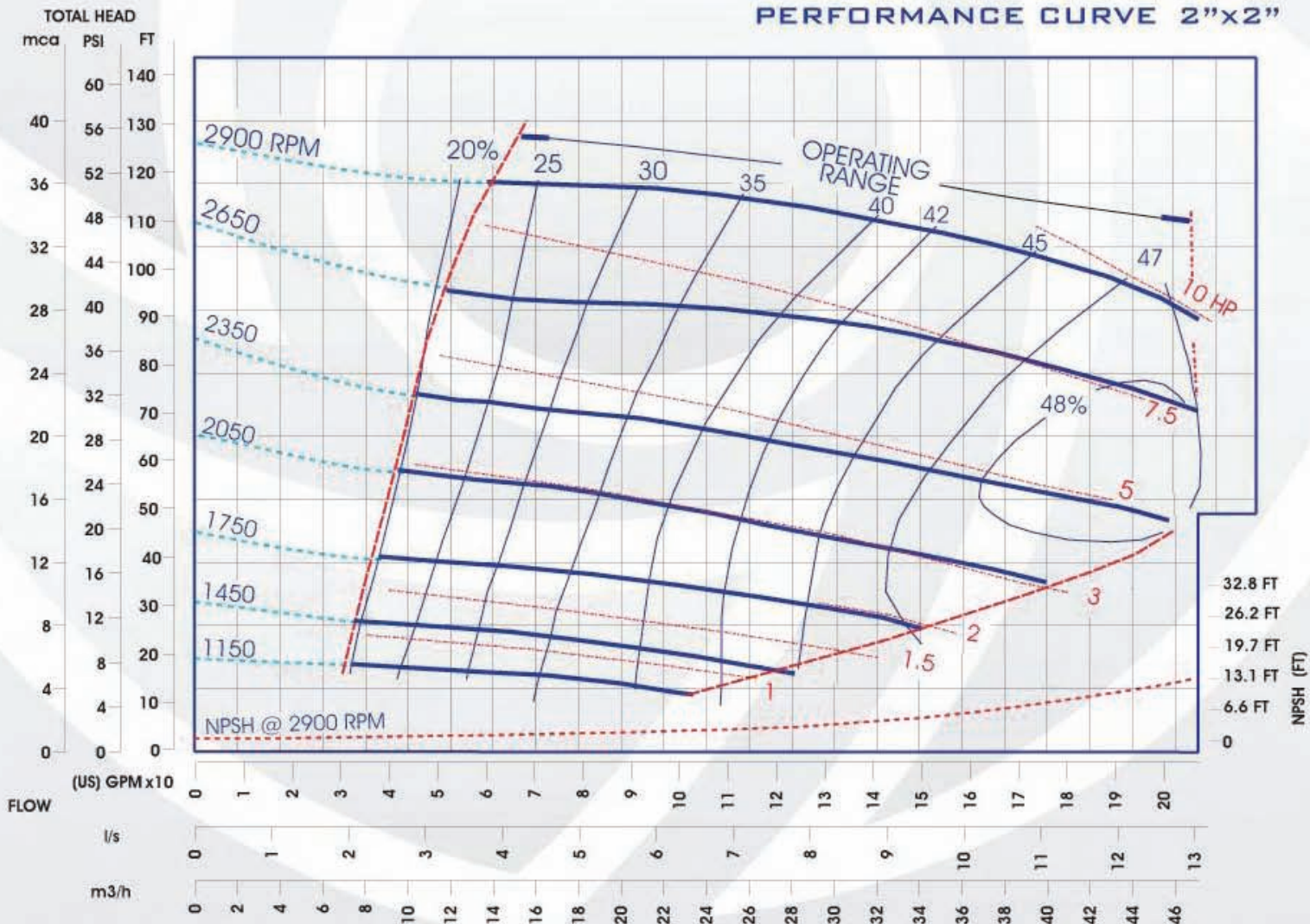
NET WEIGHT 92kg (203lbs)
SHIPPING WEIGHTS 114kg (252lbs)
IMPELLER DIA. 158,75mm (6.1/4")
R.P.M. FROM 1150rpm TO 2900rpm
MAX. SOLIDS 44,45mm (1.3/4")

SELF-PRIMING

1150 RPM 7,3m (24ft) - 1450 RPM 7,6m (25ft)
 1750 RPM 7,6m (25ft) - 2050 RPM 7,6m (25ft)
 2350 RPM 7,6m (25ft) - 2650 RPM 7,6m (25ft)
 2650 RPM 7,6m (25ft) - 2900 RPM 7,6m (25ft)

BEFORE USING THIS TABLE, CHECK THE NPSH.

PERFORMANCE CURVE 2"x2"

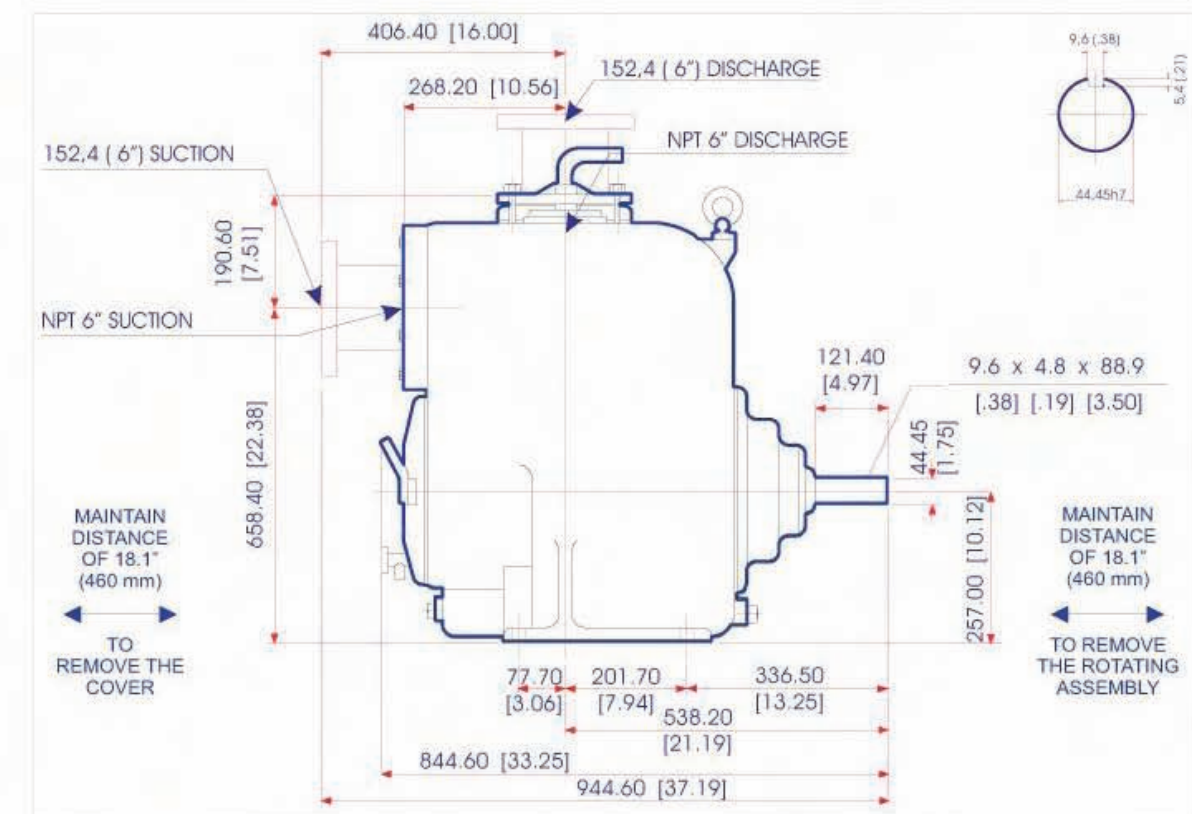
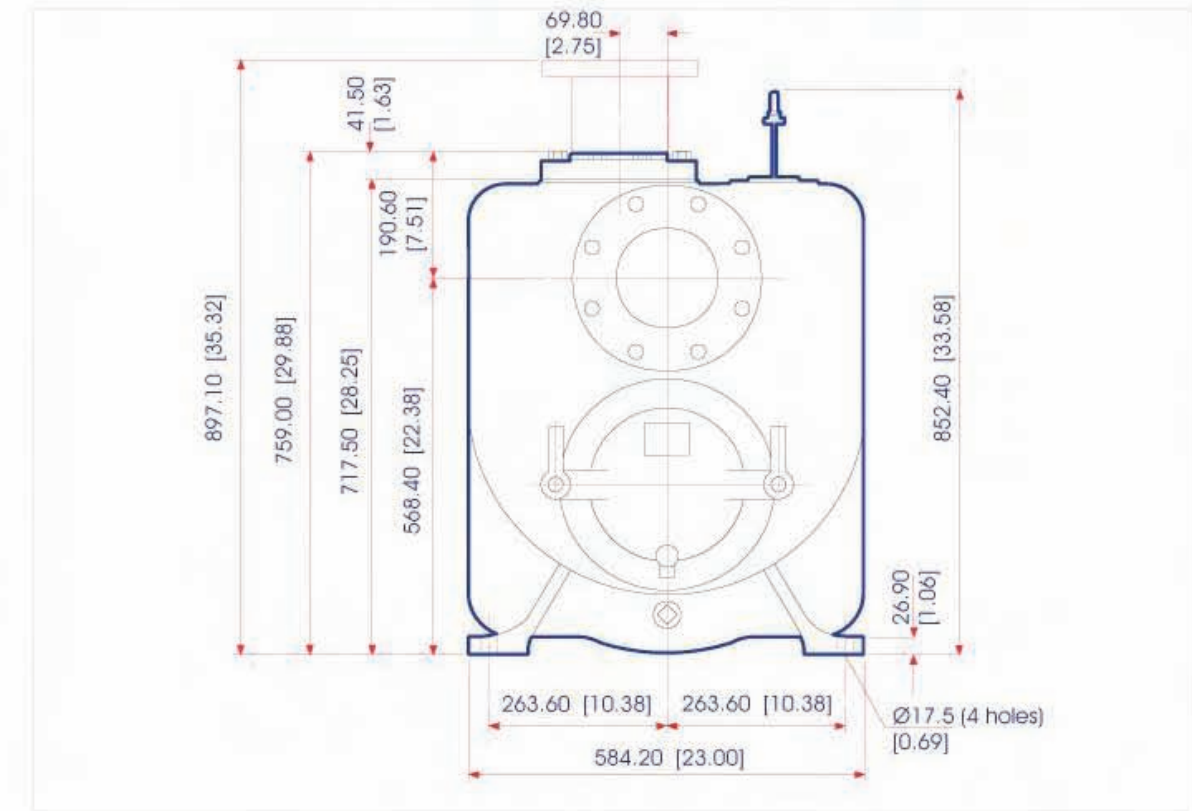


SERIES SPU

MODEL SPU-6

EXTERNAL DIMENSIONS

MILLIMETERS (INCHES)





SERIES SPU

MODEL SPU-6



DATA SHEET

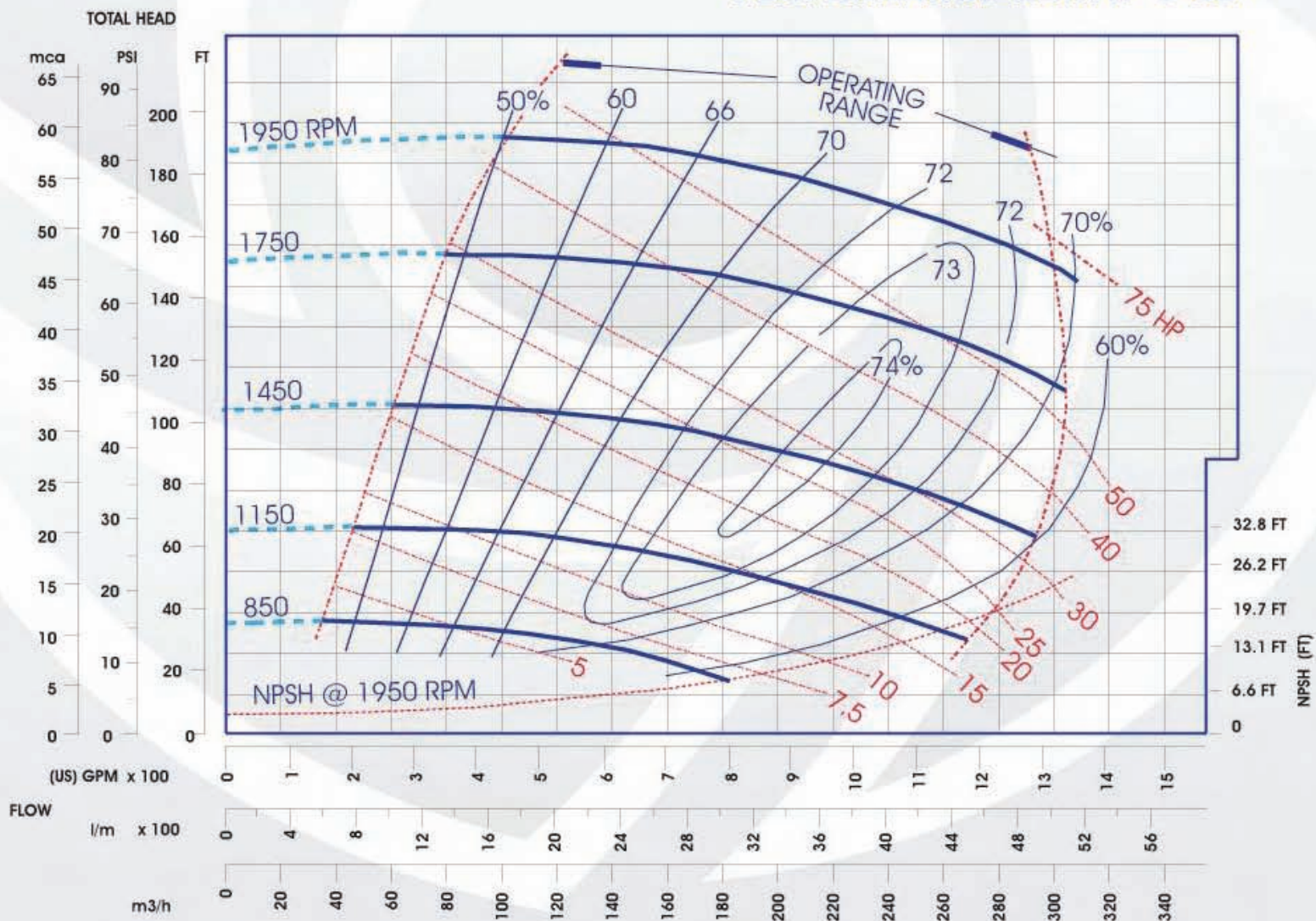
NET WEIGHT 413kg (910lbs)
SHIPPING WEIGHTS 437kg (965lbs)
IMPELLER DIA. 317,5mm (12.1/2")
R.P.M. FROM 850rpm TO 1950rpm
MAX. SOLIDS 31,75mm (1.1/4")

SELF-PRIMING

850 RPM 2,4m (8ft) - 1150 RPM 3,0m (10ft)
 1450 RPM 4,2m (10ft) - 1750 RPM 4,5m (15ft)
 1950 RPM 4,5m (15ft)

BEFORE USING THIS TABLE, CHECK THE NPSH.

PERFORMANCE CURVE 6"x6"

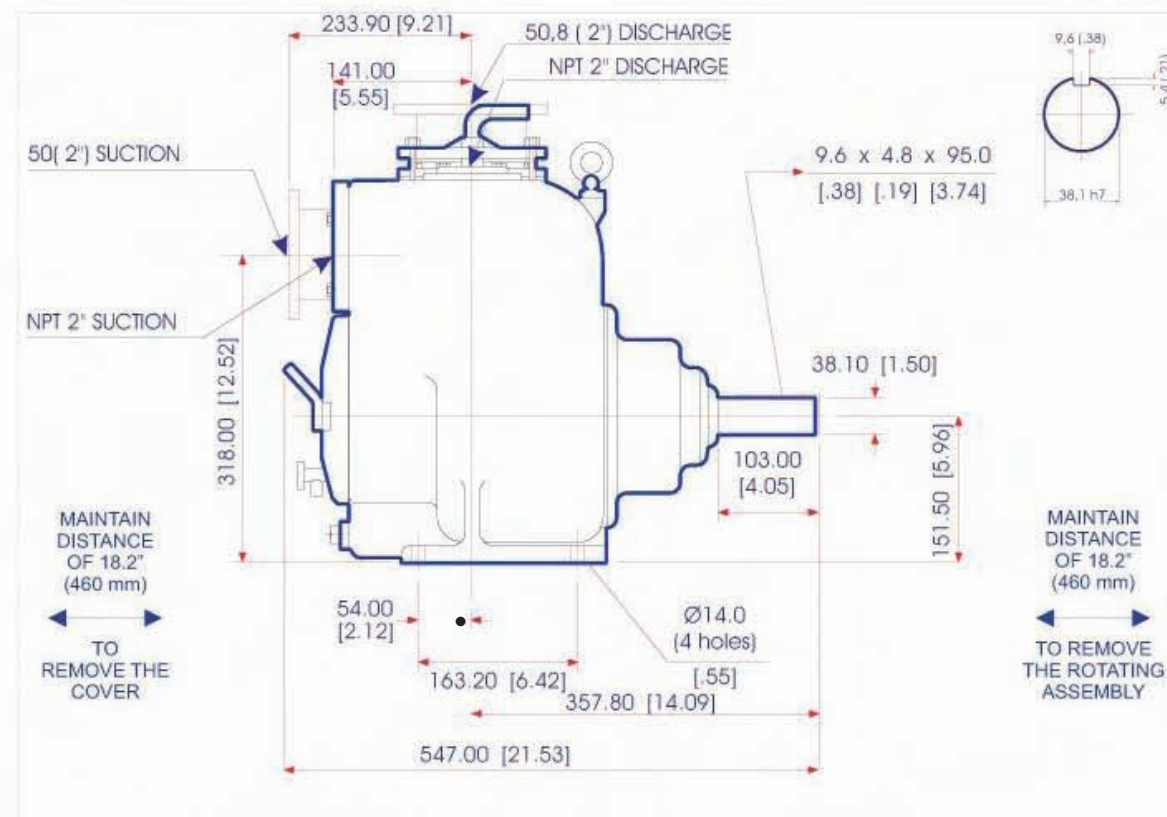
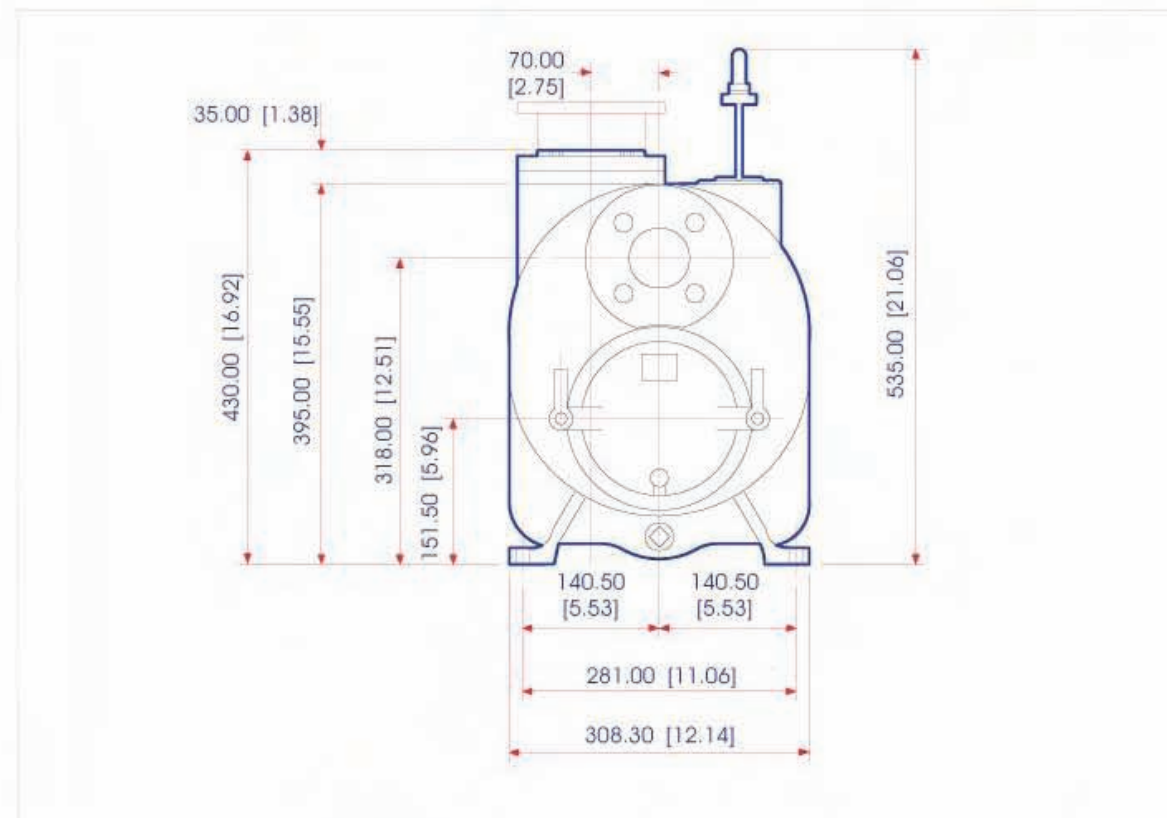


SERIES SPT

MODEL SPT-2

EXTERNAL DIMENSIONS

MILLIMETERS (INCHES)





SERIES SPU

MODEL SPU-4



SERIES SPT

MODEL SPT-3



DATA SHEET

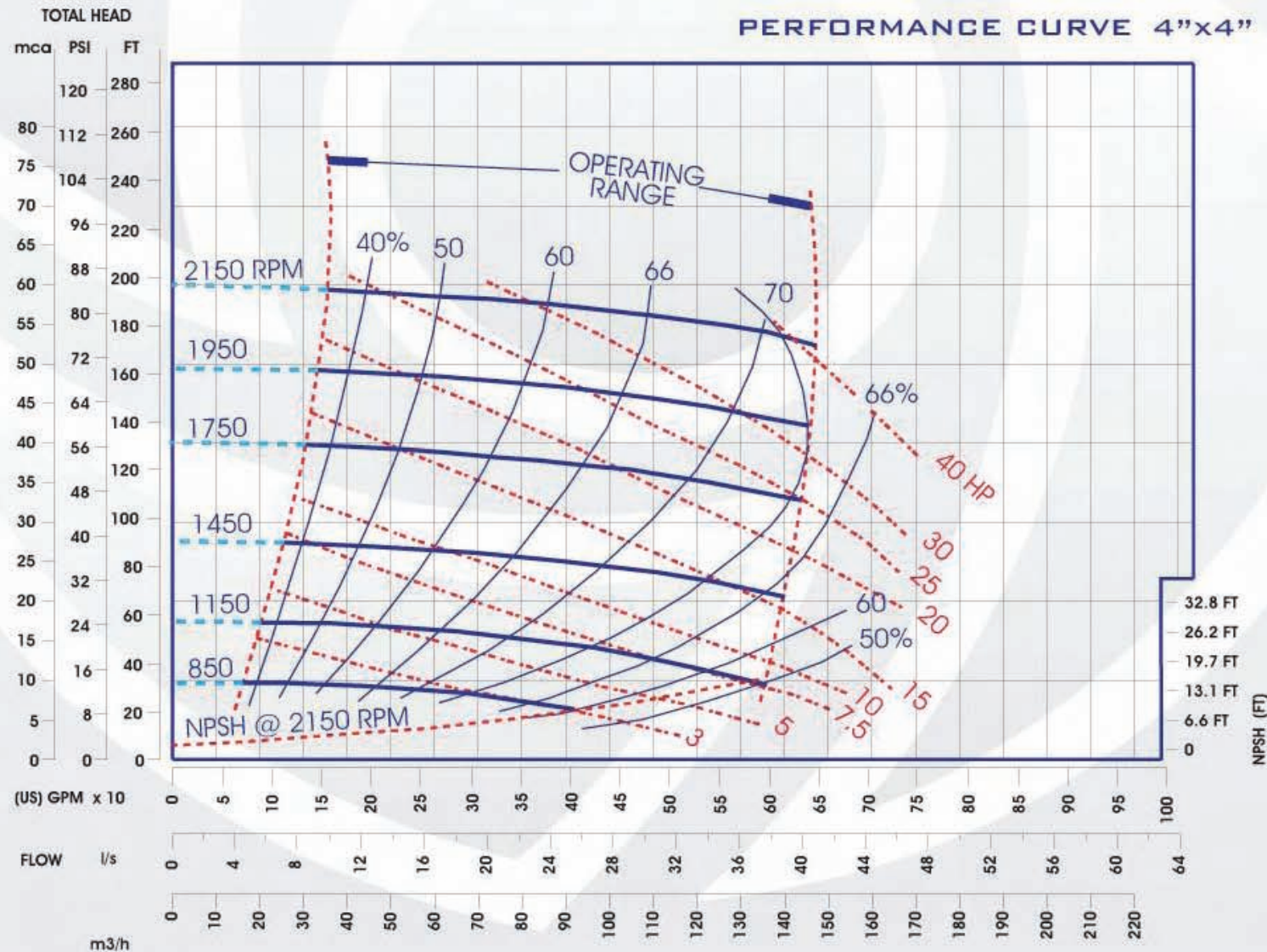
NET WEIGHT **272kg (600lbs)**
 SHIPPING WEIGHTS **297kg (655lbs)**
 IMPELLER DIA. **279,4mm (11")**
 R.P.M. **FROM 850rpm TO 2150rpm**
 MAX. SOLIDS **28.57mm (1.1/8")**

SELF-PRIMING

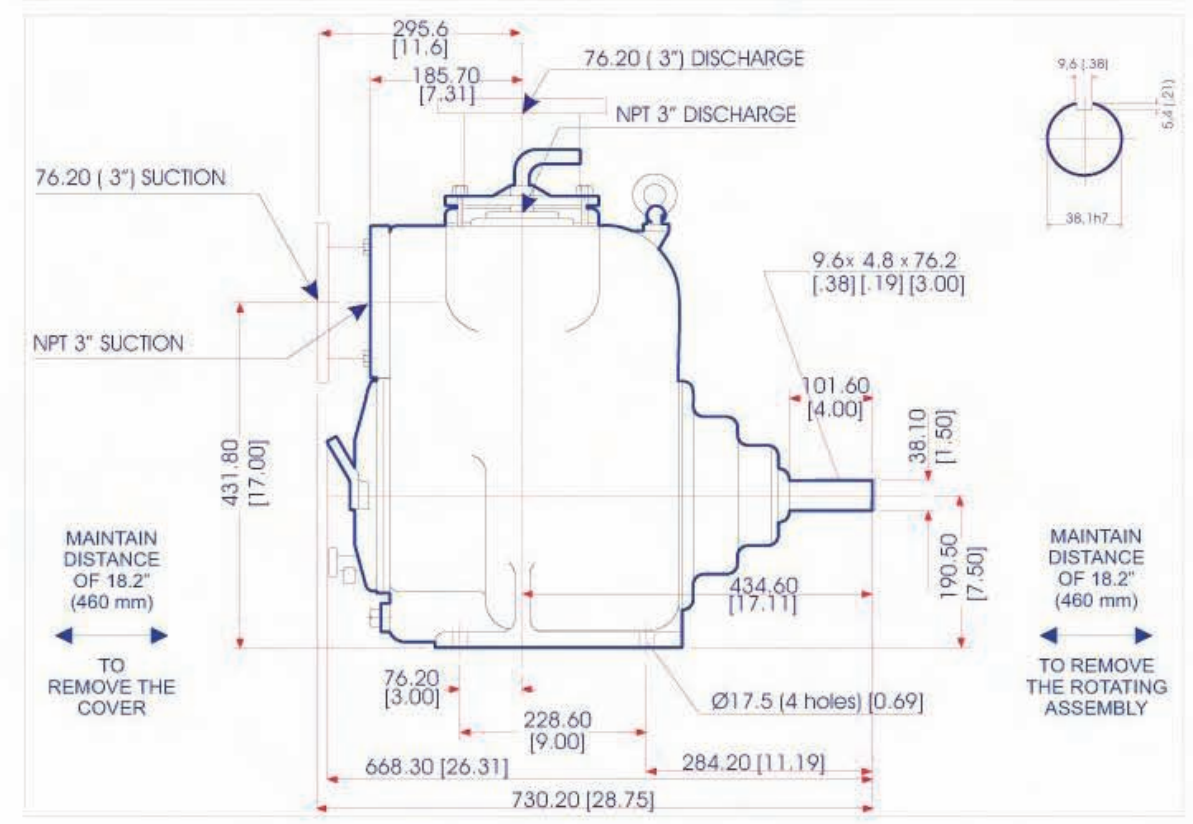
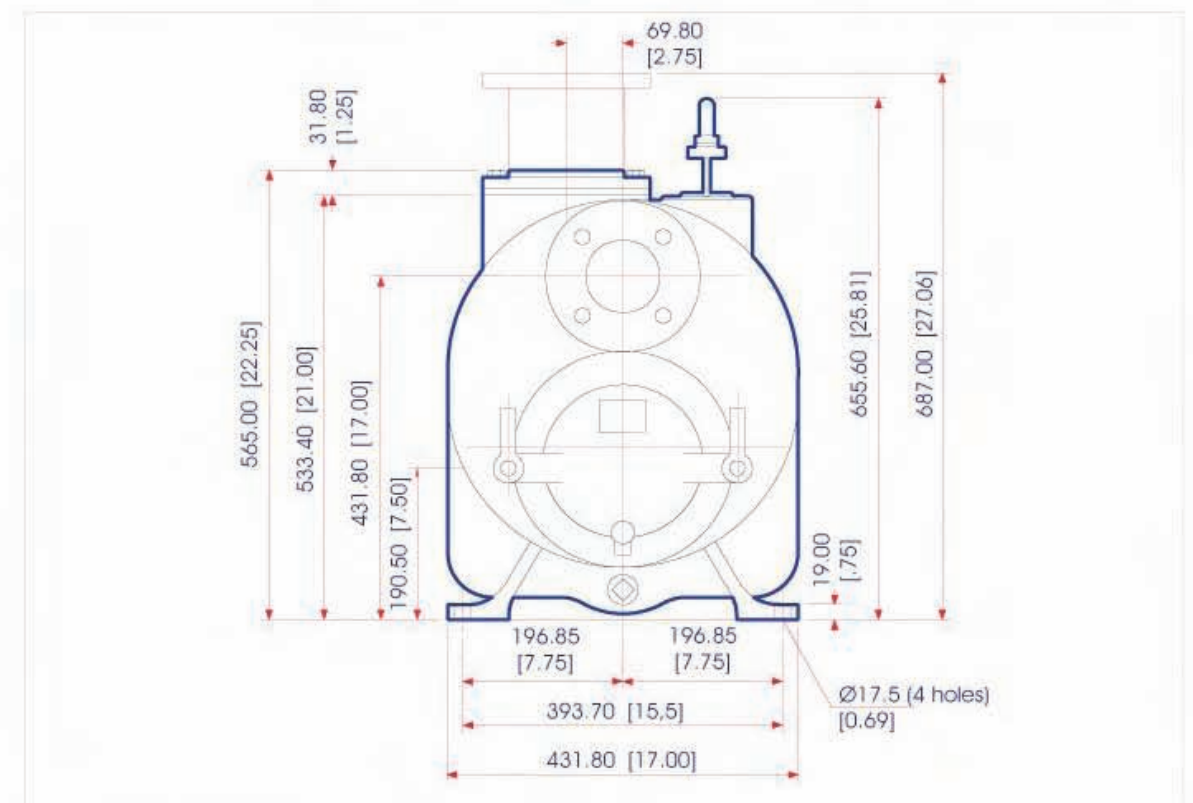
850 RPM 2,4m (8ft) - 1150 RPM 3,0m (10ft)
 1450 RPM 3,6m (12ft) - 1750 RPM 3,9m (13ft)
 1950 RPM 4,5m (15ft) - 2150 RPM 5,2m (17ft)

BEFORE USING THIS TABLE, CHECK THE NPSH.

PERFORMANCE CURVE 4"x4"



EXTERNAL DIMENSIONS MILLIMETERS (INCHES)





SERIES SPT

MODEL SPT-4



SERIES SPU

MODEL SPU-3



DATA SHEET

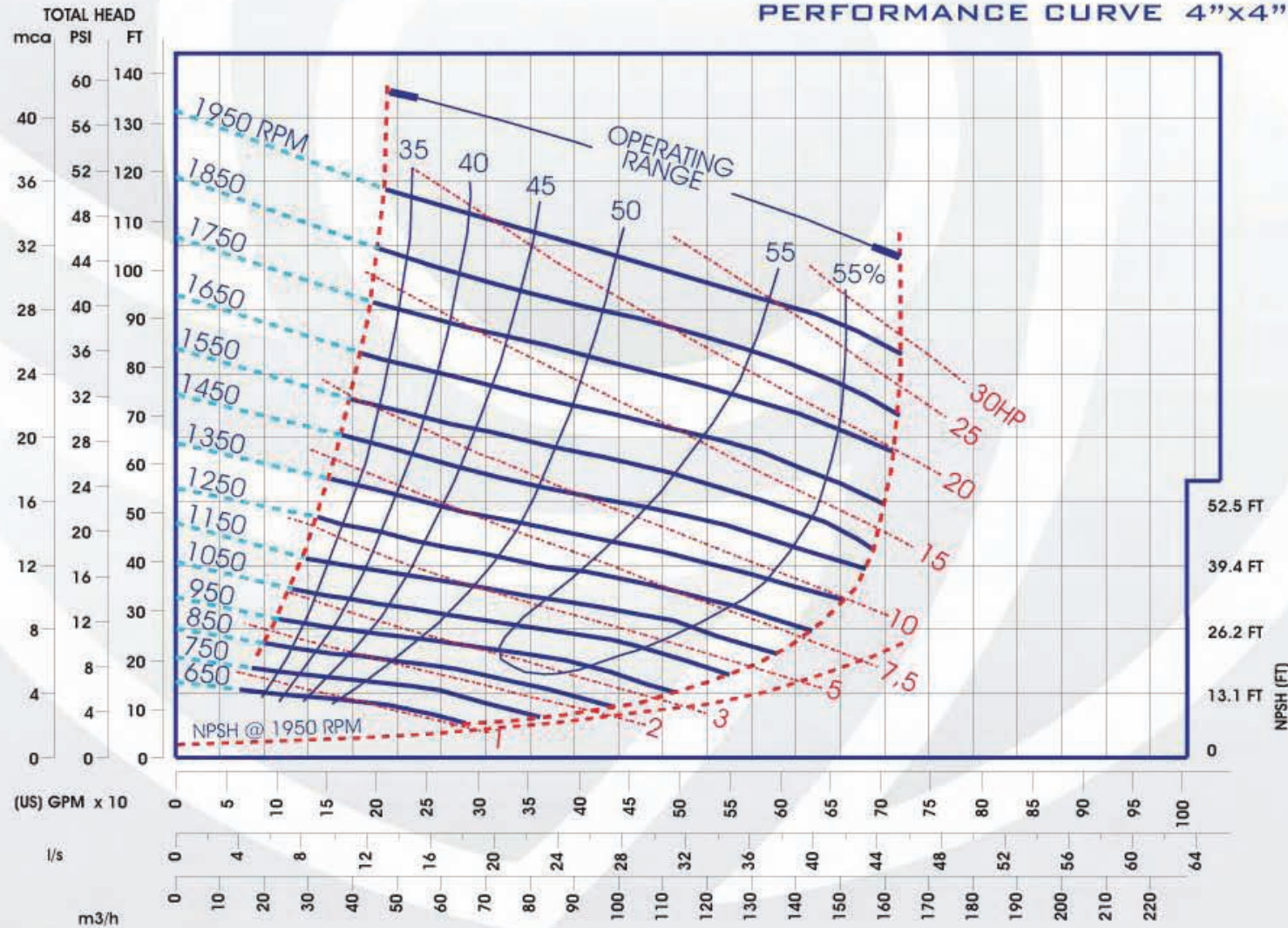
NET WEIGHT 259,5kg (600lbs)
SHIPPING WEIGHTS 280kg (655lbs)
IMPELLER DIA. 247,65mm (9.3/4")
R.P.M. FROM 650rpm TO 1950rpm
MAX. SOLIDS 76,2mm (3")

SELF-PRIMING

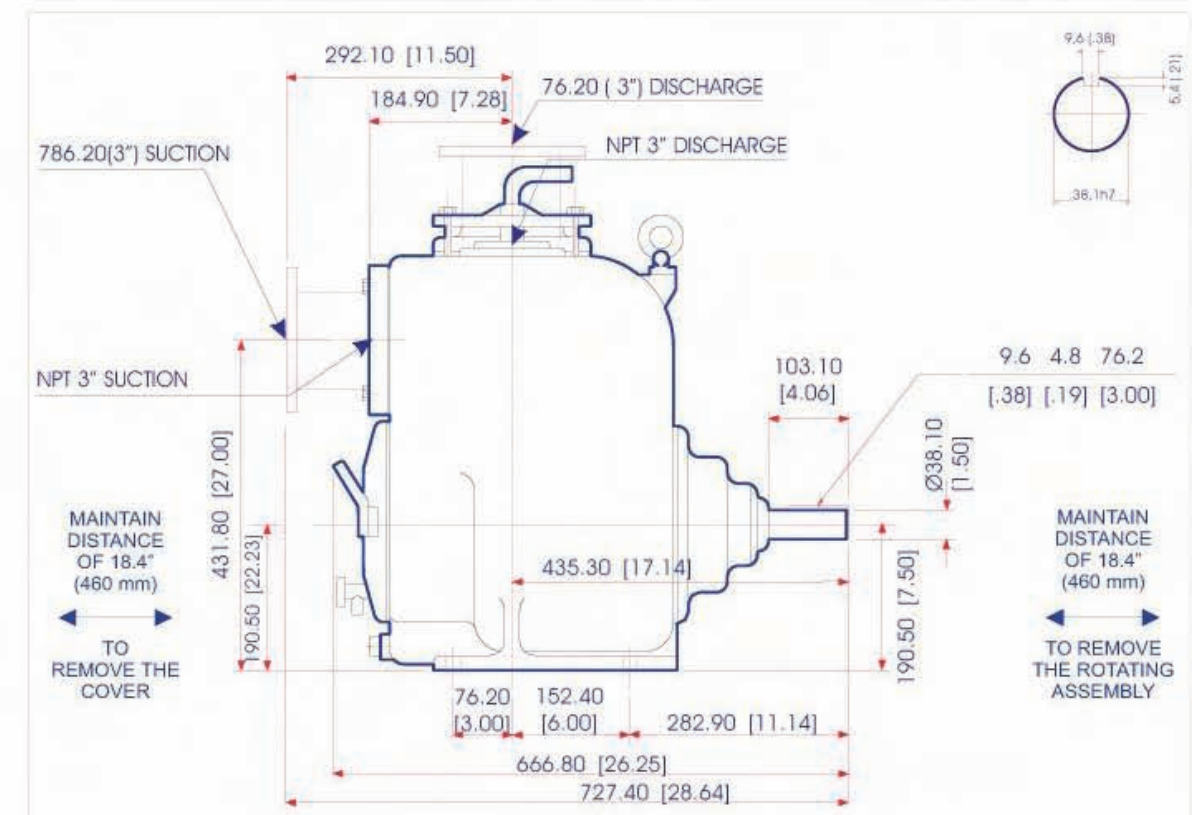
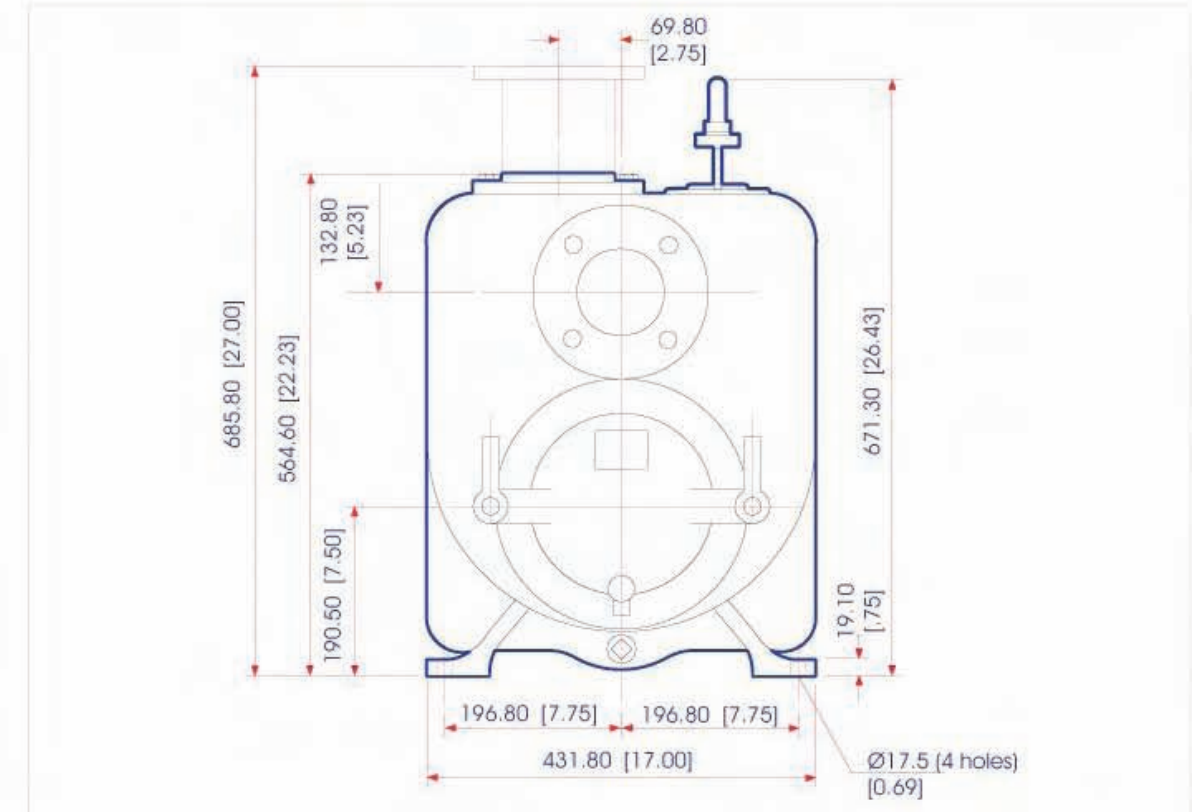
650 RPM	1,5m (5ft)	-	750 RPM	2,4m (8ft)
850 RPM	4,9m (16ft)	-	950 RPM	5,8m (19ft)
1050 RPM	6,7m (22ft)	-	1150 RPM	7,3m (24ft)
1250 RPM	7,6m (25ft)	-	1350 RPM	7,6m (25ft)
1450 RPM	7,6m (25ft)	-	1550 RPM	7,6m (25ft)
1650 RPM	7,6m (25ft)	-	1750 RPM	7,6m (25ft)
1850 RPM	7,6m (25ft)	-	1950 RPM	7,6m (25ft)

BEFORE USING THIS TABLE, CHECK THE NPSH.

PERFORMANCE CURVE 4"x4"



**EXTERNAL DIMENSIONS
MILLIMETERS (INCHES)**





SERIES SPT

MODEL SPT-6



SERIES SPT

MODEL SPT-10



DATA SHEET

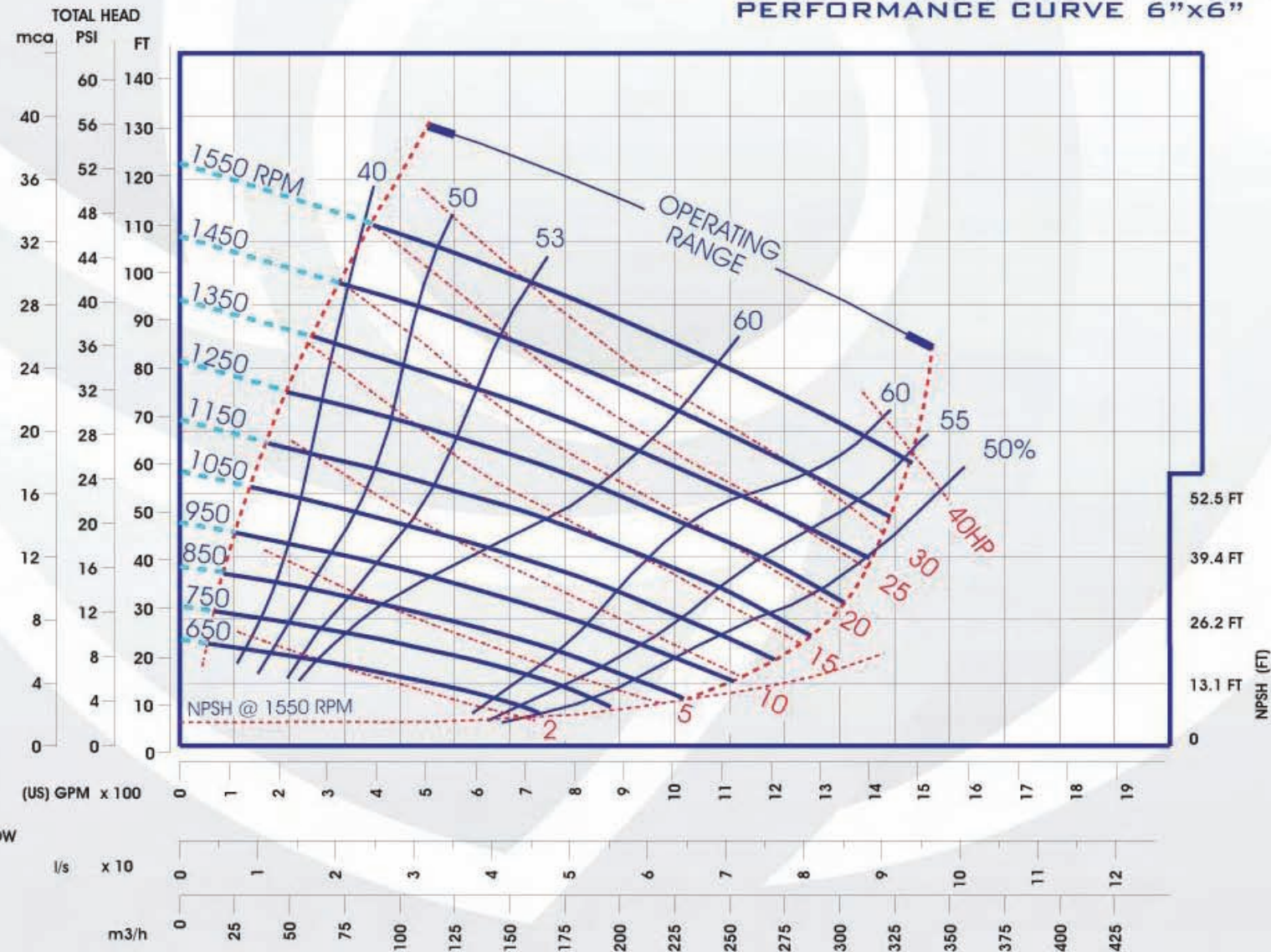
NET WEIGHT 364kg (802lbs)
SHIPPING WEIGHTS 391kg (862lbs)
IMPELLER DIA. 314,32mm (12.3/8")
R.P.M. FROM 650rpm TO 1550rpm
MAX. SOLIDS 76,2mm (3")

SELF-PRIMING

650 RPM 2,4m (8ft) - 750 RPM 2,7m (9ft)
 850 RPM 3,6m (12ft) - 950 RPM 4,2m (14ft)
 1050 RPM 5,5m (18ft) - 1150 RPM 6,4m (21ft)
 1250 RPM 6,4m (21ft) - 1350 RPM 6,7m (22ft)
 1450 RPM 7,0m (23ft) - 1550 RPM 7,6m (25ft)

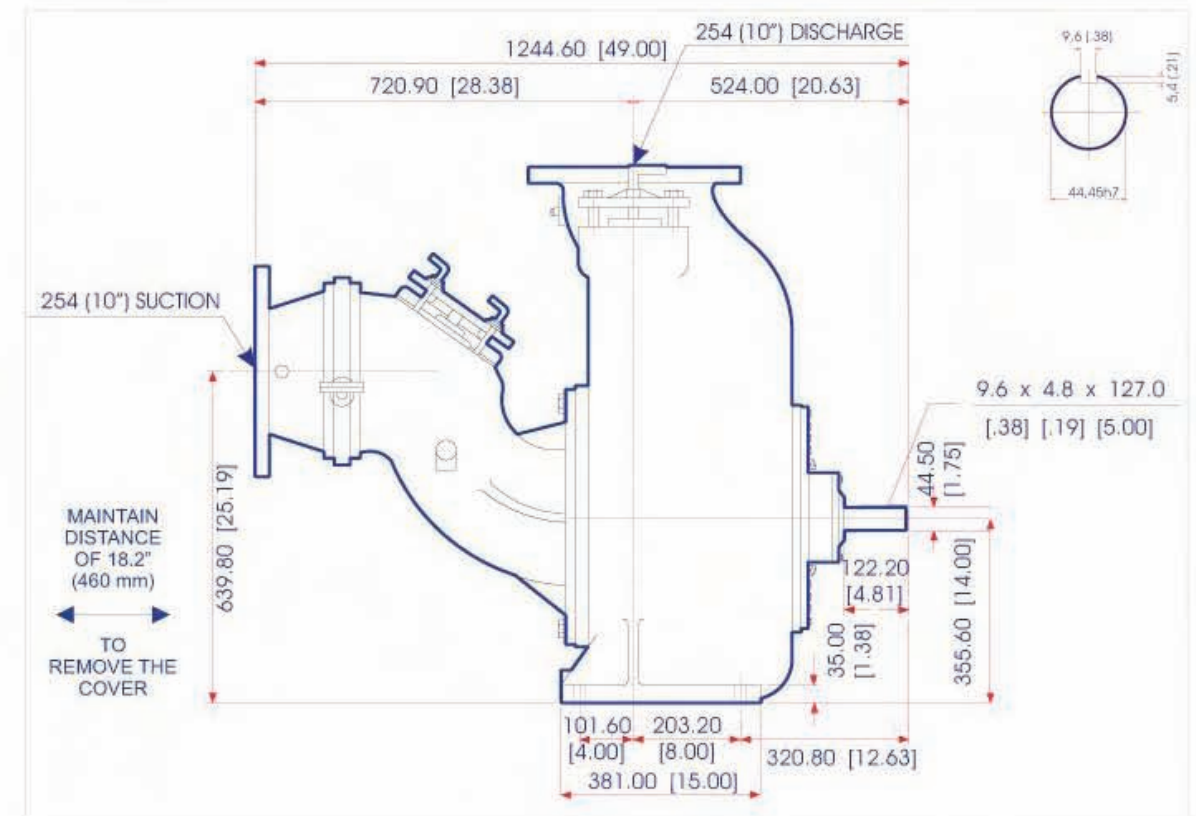
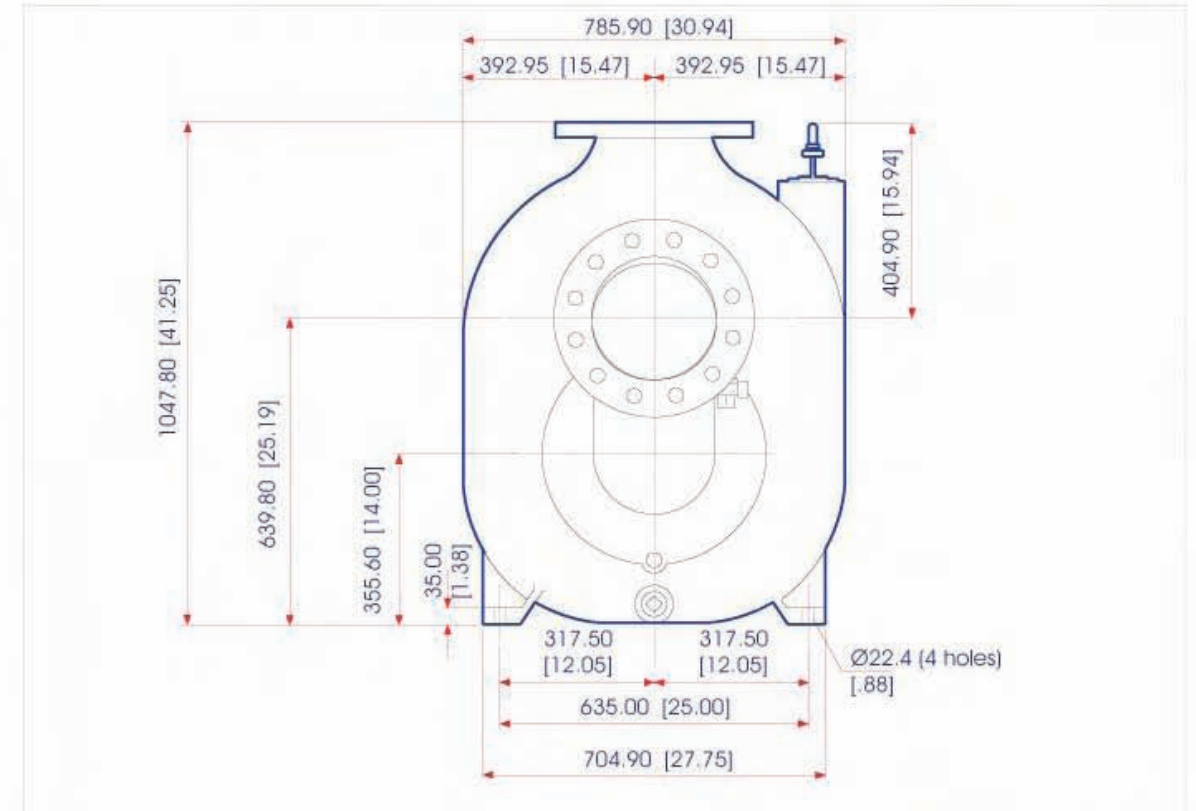
BEFORE USING THIS TABLE, CHECK THE NPSH.

PERFORMANCE CURVE 6"x6"



EXTERNAL DIMENSIONS

MILLIMETERS (INCHES)





SERIES SPT

MODEL SPT-10



DATA SHEET

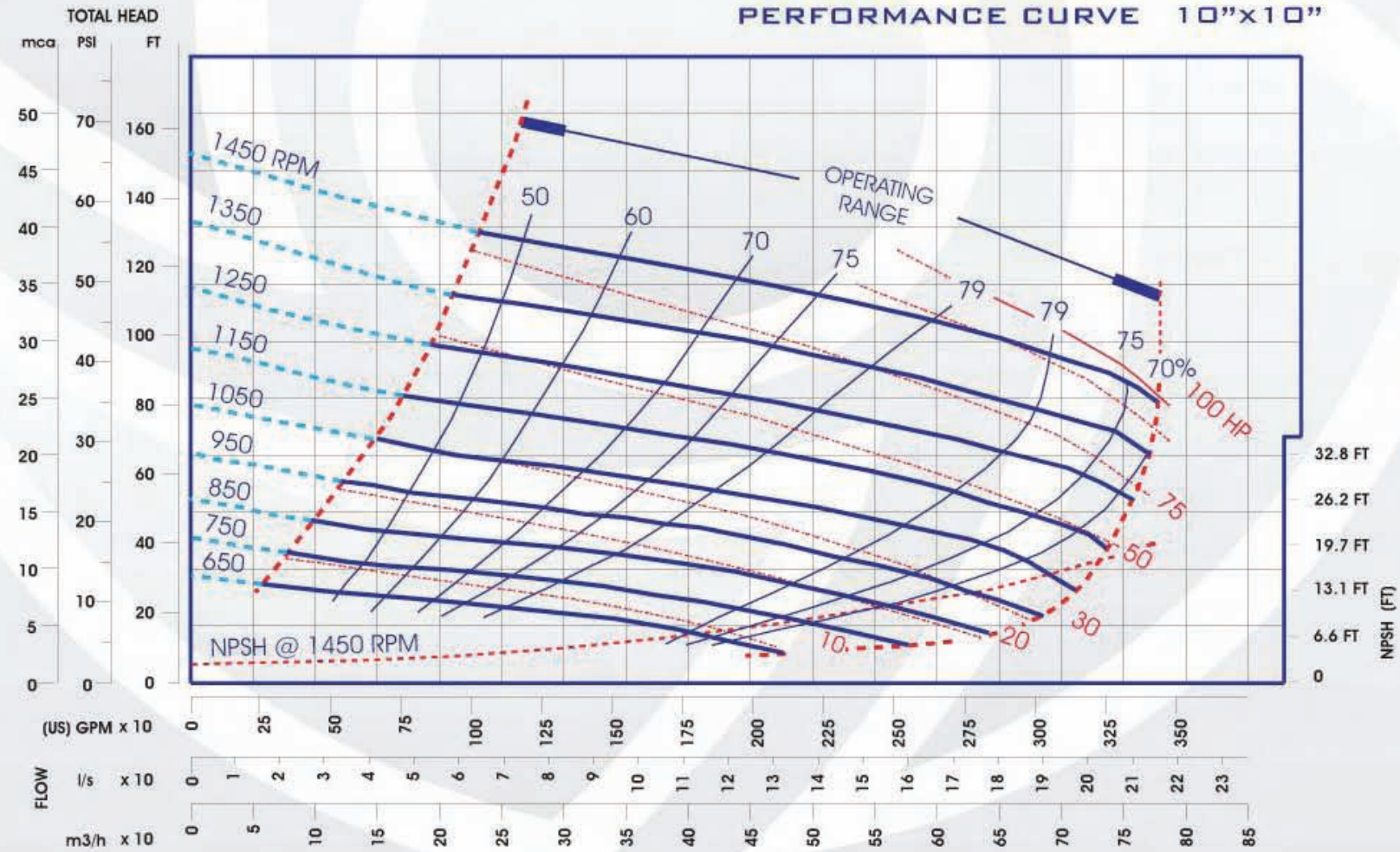
NET WEIGHT 635kg (1400lbs)
SHIPPING WEIGHTS 663kg (1461lbs)
IMPELLER DIA. 374,65mm (14.3/4")
R.P.M. FROM 650rpm TO 1450rpm
MAX. SOLIDS 76,2mm (3")

SELF-PRIMING

650 RPM 2,1m (7ft) - 750 RPM 3,4m (11ft)
 850 RPM 4,3m (14ft) - 950 RPM 5,2m (17ft)
 1050 RPM 5,5m (18ft) - 1150 RPM 5,5m (18ft)
 1250 RPM 5,8m (19ft) - 1350 RPM 6,7m (22ft)
 1450 RPM 6,7m (22ft)

BEFORE USING THIS TABLE, CHECK THE NPSH.

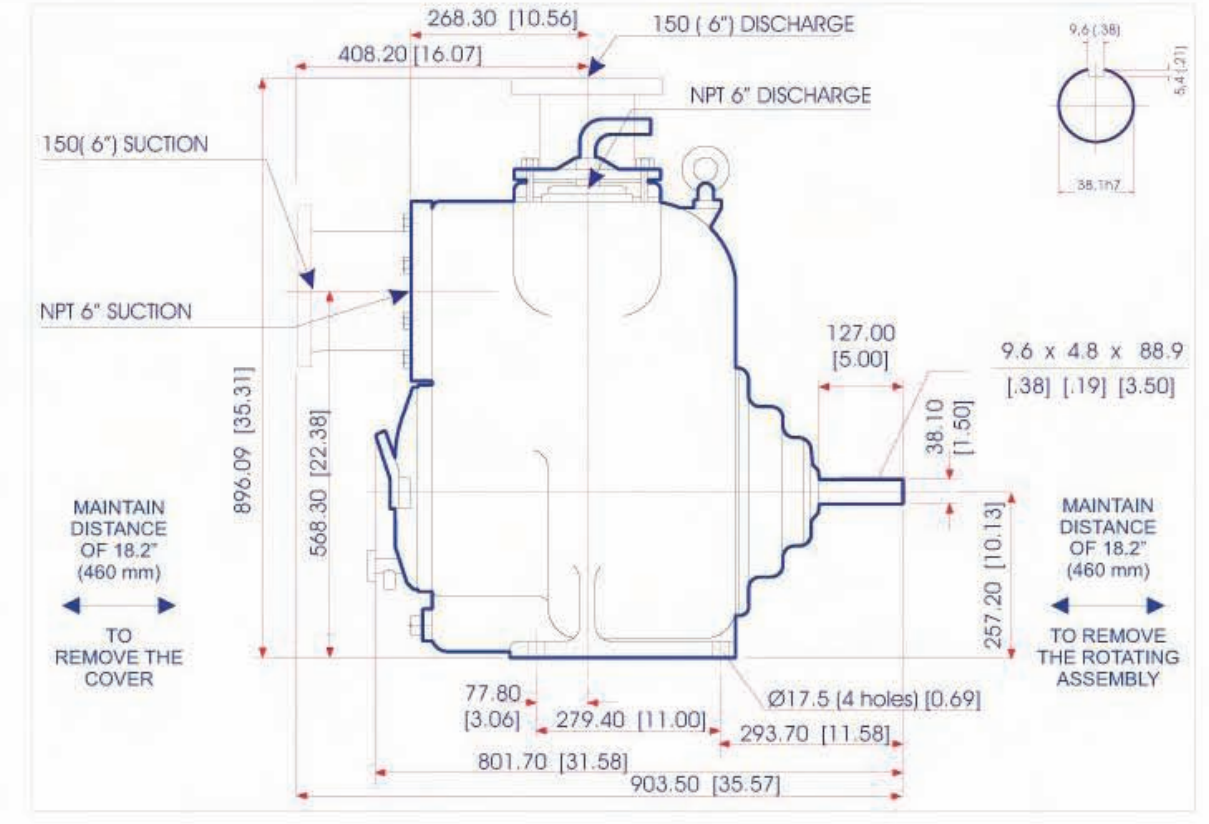
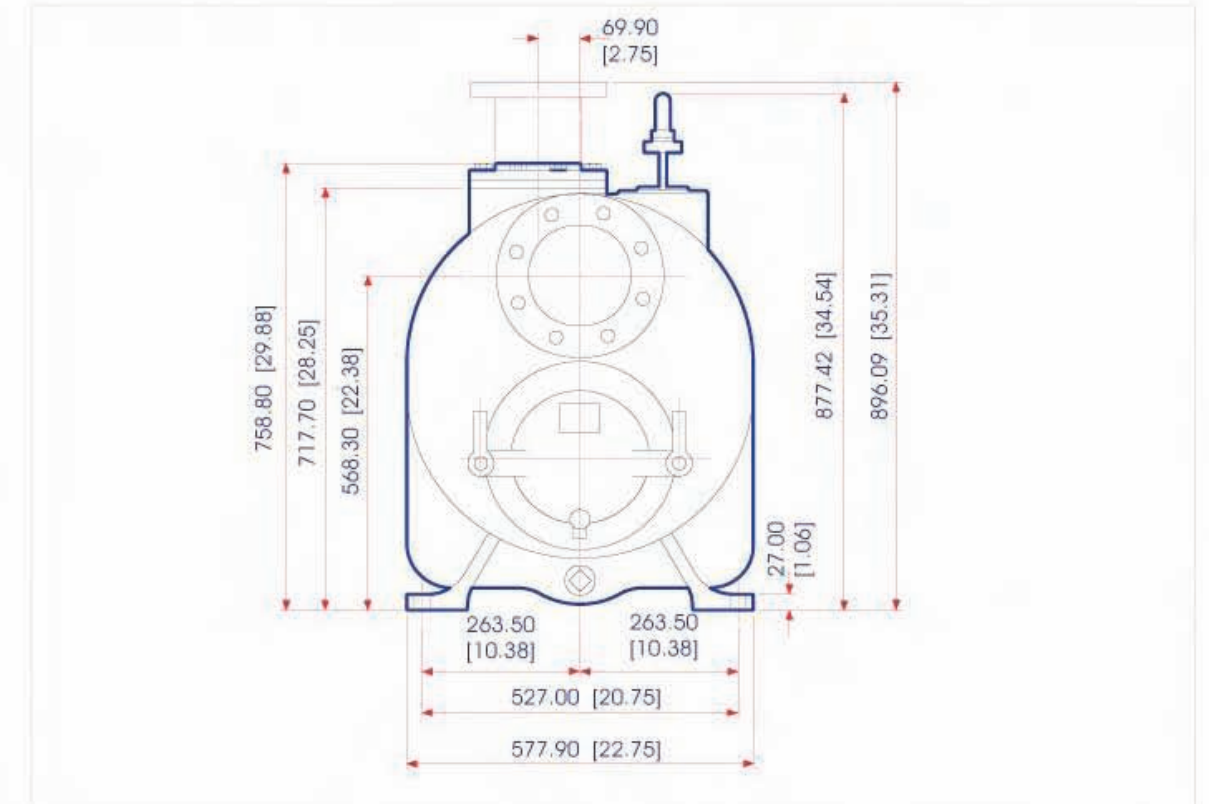
PERFORMANCE CURVE 10"x10"



SERIES SPT

MODEL SPT-6

EXTERNAL DIMENSIONS MILLIMETERS (INCHES)





SERIES SPT

MODEL SPT-8



DATA SHEET

NET WEIGHT 581 kg (1295lbs)
SHIPPING WEIGHTS 634kg (1399lbs)
IMPELLER DIA. 374.65mm (14.3/4")
R.P.M. FROM 650rpm TO 1350rpm
MAX. SOLIDS 76,2mm (3")

SELF-PRIMING

650 RPM 2,7m (9ft) - 750 RPM 3,7m (12ft)
 850 RPM 4,6m (15ft) - 950 RPM 5,2m (17ft)
 1050 RPM 6,1m (20ft) - 1150 RPM 6,4m (21ft)
 1250 RPM 6,7m (22ft) - 1350 RPM 7,0m (23ft)

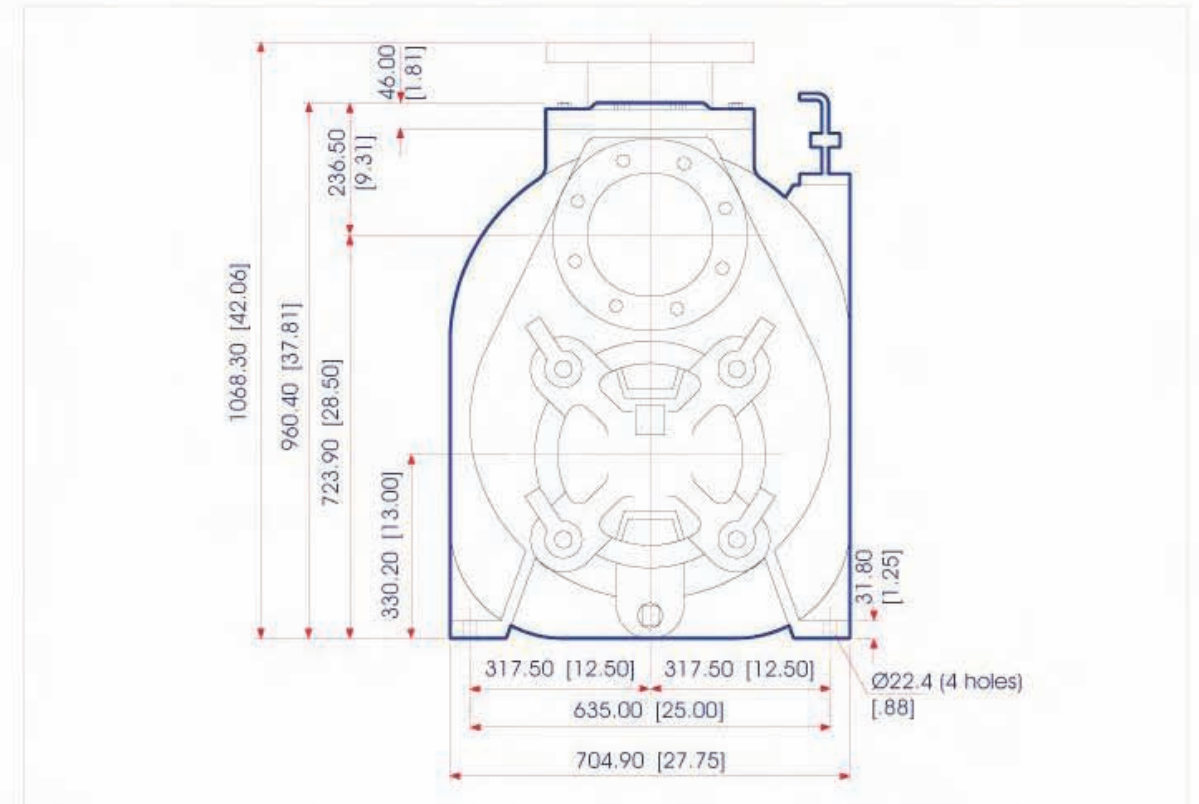
BEFORE USING THIS TABLE, CHECK THE NPSH.



SERIES SPT

MODEL SPT-8

**EXTERNAL DIMENSIONS
MILLIMETERS (INCHES)**



PERFORMANCE CURVE 8"x8"

