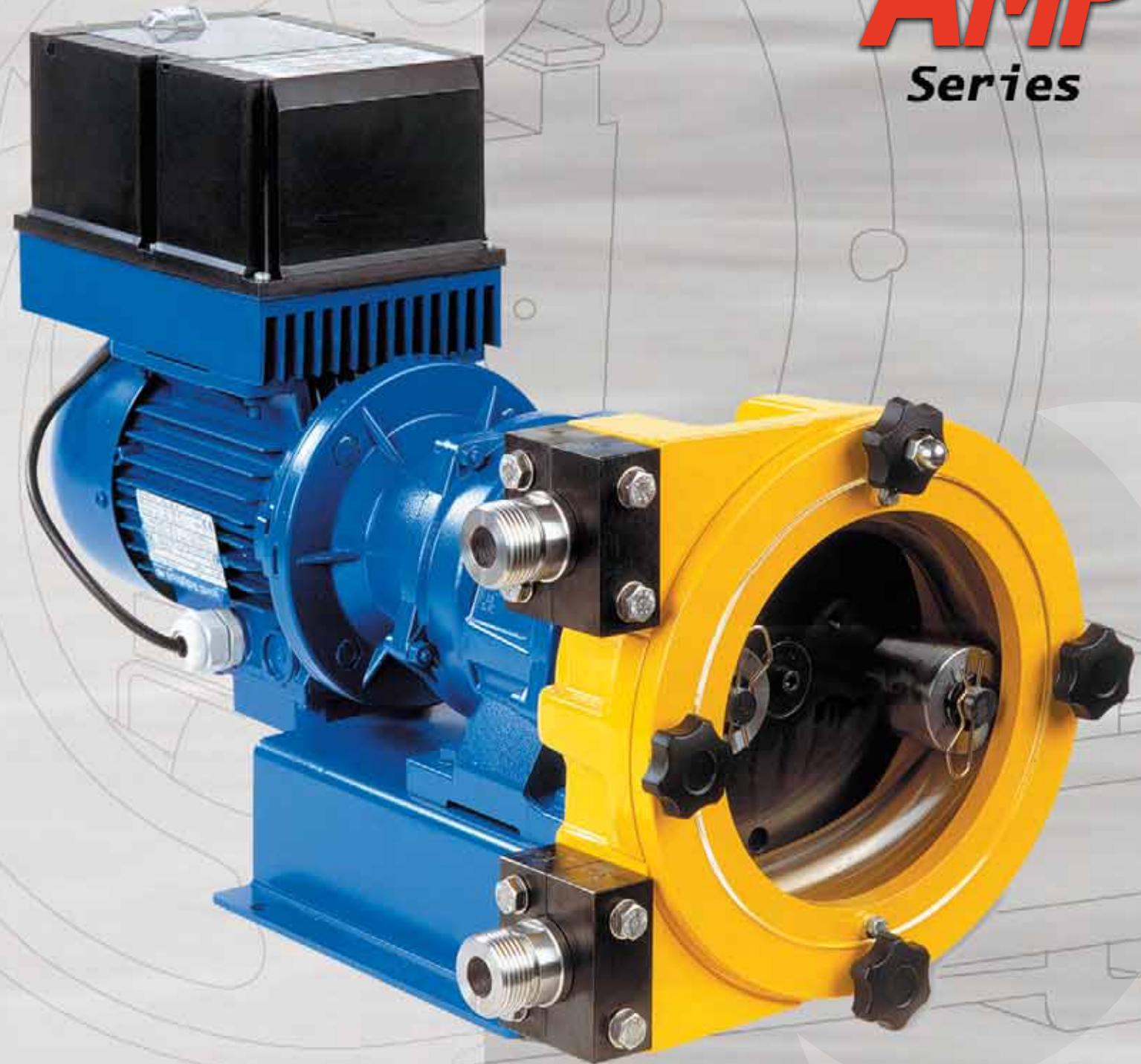


PERIFLO PERISTALTIC
HOSE PUMPS

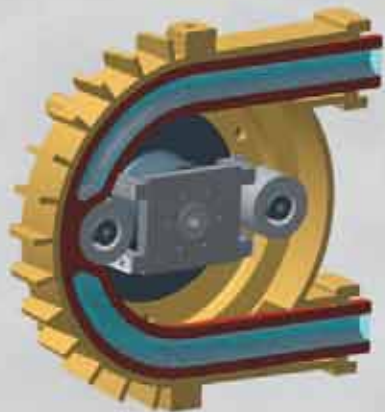
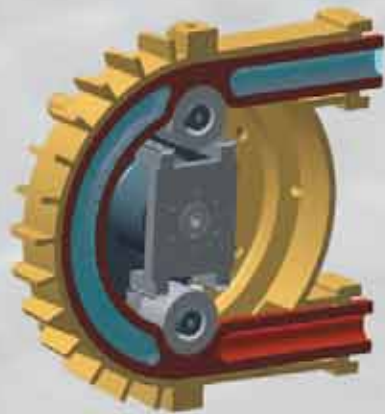
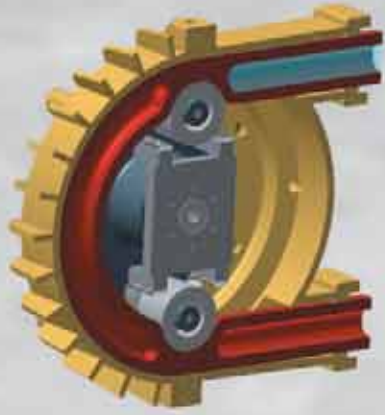
AMP
Series



155 Commerce Blvd
Loveland, OH 45140
800.860.2983

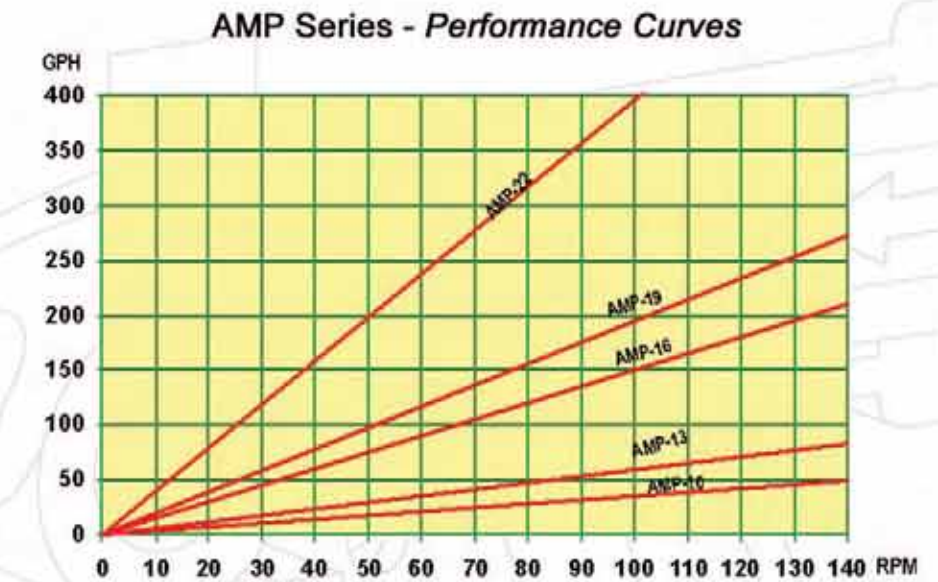
Local: 513.583.4900 Fax: 513.583.4819
www.periflo.com

- Features**
- Sealless
 - Abrasion Resistant
 - Economical
 - Easy Maintenance
 - Dry-Run without Damage
 - Self Priming to 27 ft.
 - Metering Accuracy +/- 1%
 - Reversible Rotation
 - Sanitary FDA & 3-A Designs



	AMP-10	AMP-13	AMP-16	AMP-19	AMP-22
CAPACITY	.006 gal/rev	.010 gal/rev	.025 gal/rev	.032 gal/rev	.066 gal/rev
MAX FLOW RATE	50 GPH	84 GPH	210 GPH	270 GPH	390 GPH
CONNECTIONS	3/8"	3/8"	3/4"	1"	1"
COMPRESSOR SYSTEM	ROLLERS				
REINFORCED HOSES to 115 PSI	NATURAL RUBBER* BUNA N* EPDM NATURAL RUBBER (FOOD GRADE) BUNA (FOOD GRADE)		N/A		NATURAL RUBBER BUNA N EPDM NATURAL RUBBER (FOOD GRADE) BUNA (FOOD GRADE)
THERMOPLASTIC TUBES to 30 PSI	NORPRENE	NORPRENE	NORPRENE TYGON	NORPRENE TYGON	NORPRENE TYGON

NORPRENE meets FDA, 3-A & NSF Criteria
 PHARMED meets USP Class VI, FDA & NSF Criteria
 * Food Grades Available



Drives & Accessories:

- Electric, Pneumatic or Hydraulic Motors
- Variable Speed Controls
- Hose Leakage Detectors
- Pulsation Dampeners
- MNPT (316SS, Polypro, PVDF) or Tri-Clamp Connections
- Batching & Flow Controls

Applications: Transfer, Metering, Batching

Chemical

Polymers
 Inks
 Dyes
 Coatings
 Glues
 Paints
 Oils
 Latex

Pigments
 Detergents
 Sludges
 Slurries
 Emulsions
 Acids
 Caustic
 Lime Slurry

Food

Milk Products
 Fruit Juices
 Flavorings
 Sauces
 Jams
 Wine
 Vitamins
 Feed Additives

