



Features

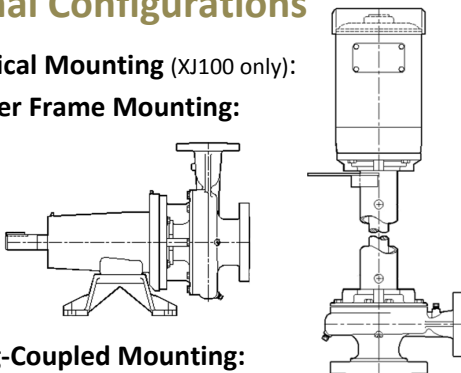
- **Pump Design** – Compact, close coupled
- **Double Seal** – Type 9 & 21 available
- **High Pressure Option** – 300 PSI maximum
- **Teflon Seal** – Type 9 available
- **Flush Options** – Recirculating & Quench available

Applications

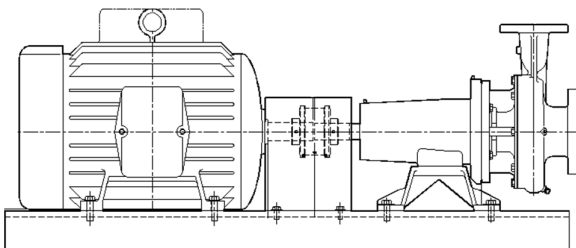
- Waste Water Treatment
- Hot Solvents
- Deionized Water
- Chemical Process
- Plating Equipment
- Agricultural Chemicals

Optional Configurations

- **Vertical Mounting** (XJ100 only):
- **Power Frame Mounting:**



- **Long-Coupled Mounting:**



XJ100/150/200

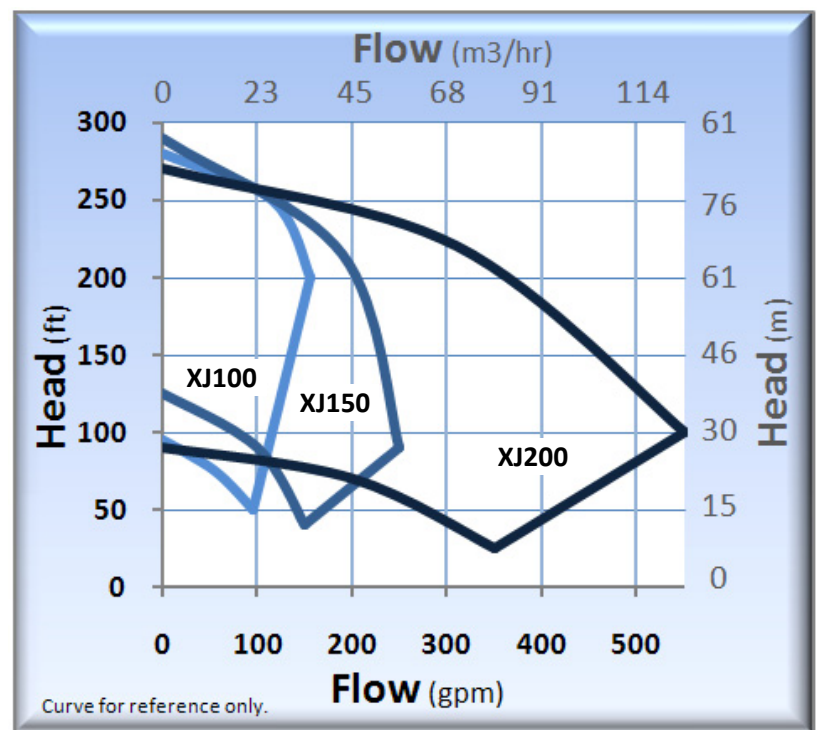
Pump Volute / Impeller Materials

XJ (SS) – 316SS / 316SS

Standard Specifications

- XJ100 / XJ100V Discharge 1" Flange, Suction 1-1/2" Flange
- XJ150 Discharge 1-1/2" Flange, Suction 3" Flange
- XJ200 Discharge 2" Flange, Suction 3" Flange
Flanges: 150 lb. Centerline ANSI Dimensioned
- Maximum Impeller Diameter: 8.00"
- Motor: NEMA JM Face (Multiple enclosures available)
- Mechanical Seal:
Single, 1-1/2" Type 21 Viton, Carbon vs. Ceramic (SS)
Note: Additional seal options available
- Bracket Material: Stainless Steel
- Gasket: Teflon (O-ring optional)

Performance Curve – 60 Hz



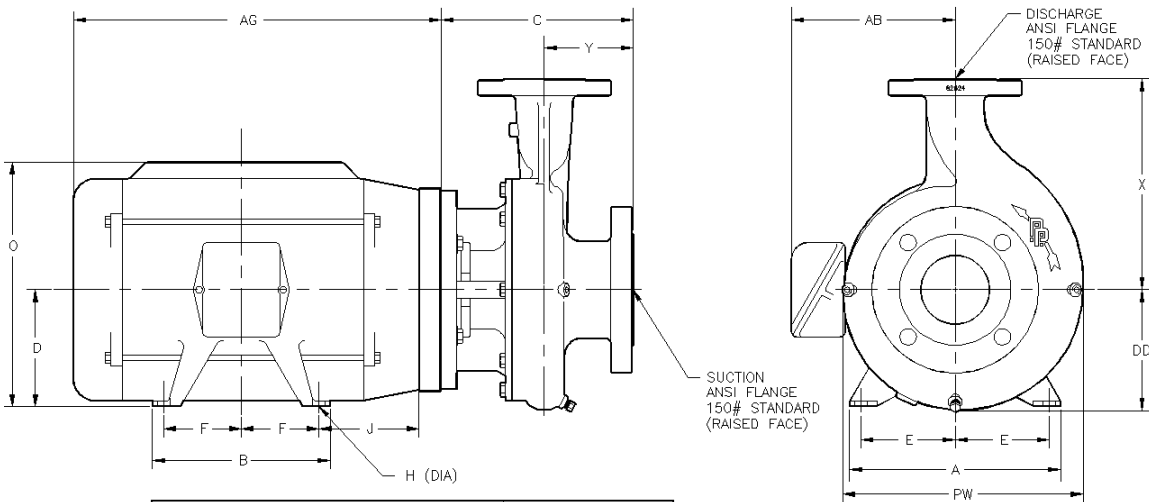
XJ100/150/200

Technical Information		
Max Flow	(XJ100)	155 GPM (35 m3/hr)
Max Flow	(XJ150)	250 GPM (57 m3/hr)
Max Flow	(XJ200)	550 GPM (125 m3/hr)
Max Head		290 feet (88 m)
Min. Flow	(XJ100)	20 GPM (4.5 m3/hr)
Min. Flow	(XJ150)	40 GPM (9.1 m3/hr)
Min. Flow	(XJ200)	90 GPM (20 m3/hr)
Max Solid Size	(XJ100)	0.120" (3.0 mm)
Max Solid Size	(XJ150)	0.250" (6.4 mm)
Max Solid Size	(XJ200)	0.440" (11.2 mm)
Max Working Pressure	(Type 8 Seal) (Type 9 Seal) (Type 21 Seal)	325 PSI (22.4 bar) 350 PSI (24.1 bar) 150 PSI (10.3 bar)
Max Temp.		300°F (149°C)*

Materials of Construction	
XJ	SS
Volute	316SS
Impeller	316SS
Bracket	316SS
Gasket	Viton
Fasteners	316 SS

* Temperature limits are based on standard seal and gasket materials, and will vary according to the liquid being pumped.

Dimensions (XJ)



MODEL	PUMP END DIMENSIONS					ANSI FLANGE 150#	
	C	DD	PW	X	Y	DISCHARGE	SUCTION
XJ 1x1-1/2x8	8 9/16	5"	10 3/16	6 1/2	4"	1"	1-1/2"
XJ 1-1/2x3x8	8 5/8	5 1/16	10 1/16	6 1/2	4"	1-1/2"	3"
XJ 2x3x8	8 5/8	5 7/16	10 13/16	9 1/2	4"	2"	3"

DIMENSIONS 'X' AND 'Y', AND DISCHARGE AND SUCTION MEET ANSI CONFIGURATION.

FRAME	MOTOR END DIMENSIONS							DRIP-PROOF			TEFC & EXP. PROOF		
	A	B	D	E	F	H	J	AB	AG	O	AB	AG	O
143JM	6-1/2	6	3-1/2	2-3/4	2	11/32	1-5/8	5-1/4	8-3/4	6-7/8	6-3/4	11-1/4	6-7/8
145JM					2-1/2								
182JM	8-1/2	6-1/2	4-1/2	3-3/4	2-1/4	13/32	2-1/4	5-7/8	11-1/8	9	7-3/8	14-3/4	8-1/2
184JM					2-3/4								
213JM	9-1/2	8	5-1/4	4-1/4	2-3/4	13/32	3-1/4	7-3/8	12-3/4	10-1/16	9-3/4	15-1/2	10-3/8
215JM					3-1/2							17	
254JM	11-1/4	9-1/2	6-1/4	5	4-1/8	17/32	4-1/2	8-15/16	17	12	11	22	13
256JM		11-3/4			5				18-1/2				

NOTE: MOTOR DIMENSIONS WILL VARY BY MODEL AND MAKE. DIMENSIONS ARE TO BE USED FOR REFERENCE ONLY.

NOTE:
1. ALL DIMENSIONS ARE ROUNDED TO THE NEAREST 1/8".

PRICE PUMP CO.

Contact factory for special pump configurations,
same day, and next day delivery options.

21775 Eighth Street East
Sonoma, CA 95476-0329
MAIN (707) 938-8441
TOLL FREE (800) 345-7867
FAX (707) 938-0764
E-mail: sales@pricepump.com
Website: www.pricepump.com

Member of:
Hydraulic INSTITUTE



Rev. Date: May 2009