



CHEM-TECH

PULSAFEEDER



XP SERIES

The **Chem-Tech XP Series** with peristaltic technology delivers worry-free dosing in a modern design. Each and every component of the **XP Series** is designed and manufactured for optimum reliability and durability for **REAL Performance**.

The electronic timing circuit in the adjustable 'A' Models provides **reliable** pump control, without relying on mechanical adjustment components that wear out over time.

The intuitive interface and controls provide **easy** operation and the peristaltic design is virtually maintenance-free.

Tailor-made for the water conditioning market, the **XP Series** offer **affordable** solutions in both initial cost and operation.

A rugged gear train and computer-aided peristaltic design ensure **long-lasting** performance.

Fixed Models – Simple and straight-forward fixed-rate pumps for applications where economy and ease-of-use are required. With 5 tube sizes to choose from, the F Models can deliver up to 80 USgpd and pressures up to 125 psi.

Adjustable Models – Built upon the solid F Model platform, the A Models incorporate an electronic timer module to provide a 20:1 turndown control for enhanced flexibility.

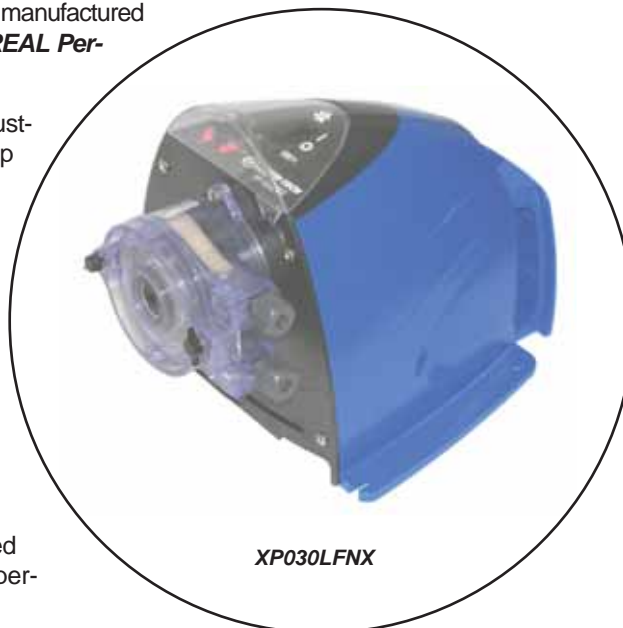
Pulse Input Models – These pumps feature an internal timer which accepts pulses from a contacting head water meter. They are adjustable to run the pumps from .1 to 1 second, .2 to 10 seconds or from 1.0 to 60 seconds per pulse.

Flow Switch Activated Models – This model is activated when the flow rate through the included 3/4" NPT flow switch reaches 1 GPM. The pump is deactivated when the flow rate is less than 1 GPM.

Dry Contact Input Models – The pump activates upon closure of a dry contact switch, and deactivates when opened. The pump is equipped with a 6' lead for connection to the switch, supplied by the customer.

tubing Materials – Our standard Norprene tube material is available in Low Pressure ratings which offer extended tubing life, and High Pressure ratings to meet demanding system requirements. The optional Fluran material tubing offers greater chemical resistance; contact Technical Service for compatibility.

Duplex Head Models – These models utilize two pump heads to deliver twice the flow, or the rated flow of two different chemicals simultaneously.



XP030LFNX

Easy tube change-out

Inherently Degassing

Extended Tube Life

Self Priming

Rugged Gear Train

Adjustable Model

Pulse Input Model

Flow Switch Activated Model

Duplex Heads

Chem-Tech XP Series Selection Guide

MODELS:	Pump Size	Flow	Pressure Rating - PSI (Bar)				Tube Size	Motor Speed (RPM)
			Single Head Options			Duplex		
			'H' Tube	'L' Tube	'F' Tube	'L' Tube		
XP004	4 GPD (0.6 LPH)		125 (8.6)	80 (5.5)	60 (4.1)	80 (5.5)	2	30
XP007	7 GPD (1.1 LPH)							50
XP009	9 GPD (1.4 LPH)		110 (7.6)	70 (4.8)	50 (3.4)	70 (4.8)	3	30
XP015	15 GPD (2.4 LPH)							50
XP014	14 GPD (2.3 LPH)		100 (5.9)	50 (3.4)	40 (2.8)	50 (3.4)	4	30
XP023	23 GPD (3.6 LPH)							50
XP030	30 GPD (4.7 LPH)		80 (5.5)	40 (2.8)		40 (2.8)	6	30
XP050	50 GPD (7.9 LPH)							50
XP048	48 GPD (7.5 LPH)			25 (1.7)		25 (1.7)	8	30
XP080	80 GPD (12.6 LPH)							50

ELECTRICAL:	L	115V, 60Hz
	H	230V, 50/60Hz
	R	230V, 50Hz with Grounded Right Angle European Plug

Note: 50Hz pumps will produce 5/6 of the rated flow

DRIVE:	F	Fixed Rate, On / Off Only
	A	Adjustable 20:1 Turndown, On / Off with Current Interrupter Timer
	G	Duplex Head - Fixed Rate, On / Off Only, 'L' Tube
	B	Duplex Head - Adjustable, On / Off with Current Interrupter Timer, 'L' Tube
	1	Pulse Input, .1 to 1 Second Timer
	2	Pulse Input, .2 to 10 Second Timer
	3	Pulse Input, 1 to 60 Second Timer
	4	Dry Contact Input - Fixed Rate Pump
	5	Dry Contact Input - Adjustable Pump
6	Flow Switch Activated with 3/4" NPT Flow Switch - Fixed Rate Pump	
7	Flow Switch Activated with 3/4" NPT Flow Switch - Adjustable Rate Pump	
8	7 Day - 8 Event Electronic Timer - Fixed Rate Pump	

TUBING:	L	Low Pressure Norprene with 1/4" Tube Fittings
	H	High Pressure Norprene with 1/4" Tube Fittings
	3	Low Pressure Norprene with 3/8" Tube Fittings
	4	High Pressure Norprene with 3/8" Tube Fittings
	F	Fluran, Acid resistant tubing with 1/4" Tube Fittings
	G	Fluran, Acid resistant tubing with 3/8" Tube Fittings

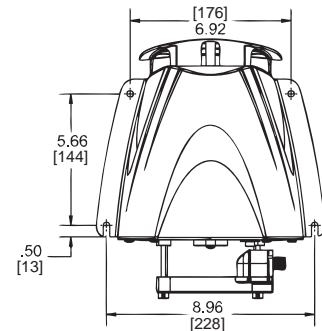
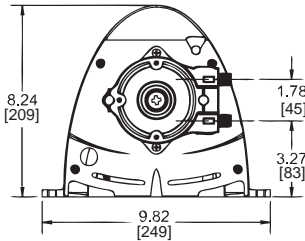
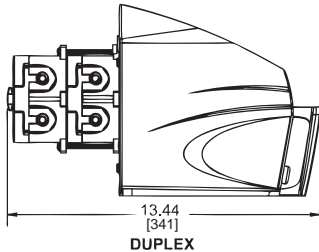
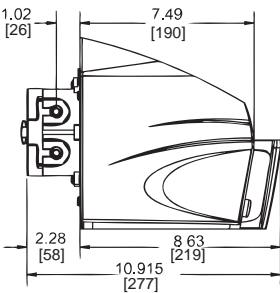
SYSTEM:	X	Pump Only
	1	15 Gallon Tank System
	3	35 Gallon Tank System
	T	15 Gallon ITS System

A completed model should look like "XP030LFLX"

Specifications	Optional
Max. Viscosity	300 Cps
Enclosure	NEMA 3R / IP31 (In Horizontal Position)
Temperature Limitations	125F / 51C max.
Electrical Requirements	1/6 HP, 115V / 60 Hz 230V / 60Hz or 230V / 50Hz
Shipping Weight	8 lbs. / 3.63kg.

* Specifications subject to change without notice

Dimensions *All dimensions expressed as inches [mm]



Standard Product Operations
 27101 Airport Road • Punta Gorda, Florida 33982
 TEL (941) 575-3800 • TEL 800-333-6677
 FAX (941) 575-4085 • FAX 800-456-4085
 spottech@idexcorp.com • www.pulsafeeder.com