

PLAGES D'UTILISATION

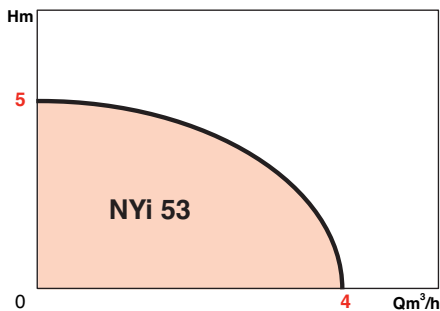
Capacities up to :	4 m ³ /h
Head up to:	5 m
Max. operating pressure:	10 bar
Temperature range :	+ 2°C to + 95°C
Max. ambient temperature :	+ 40°C

axess NYi 53
130

DOMESTIC HEATING CIRCULATOR

Individual heating - Air conditioning

50 Hz



APPLICATIONS

Universal circulator for hot- or cold-water circulation in open or closed heating or air-conditioning circuits :

- new or old installations (renovation, extension),
- detached houses,
- installations with or without thermostatic valve,
- underfloor heating.

AVANTAGES

- Anti-blocking security
- Universal: the ideal solution for most installations
- Still easier: 3 pre-programmed settings
- Compatible with thermostatic regulating valves
- Quick fit electrical connectors



•Adaptator rings ØG 1¹/₂ - 2"
Ref.: 4051850

ADVANTAGES

• ANTI-BLOCKING SECURITY well protected

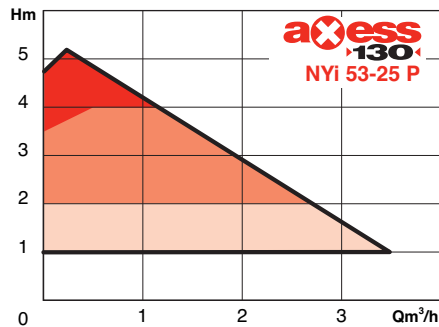
The AXESS 130/NYi 53 is well protected by a bronze particle filter that helps prevent harmful particles entering the can area. This protection is further enhanced by the utilization of a hollow shaft and double stream flow that reduce the possibility of deposit built up in the can area (anti-jamming, degassing of the rotor chamber).

- Automatic de-jamming system
- Automatic detection of seizure.
- Automatic snap-in of the highest starting torque.

• UNIVERSAL: THE IDEAL SOLUTION FOR MOST INSTALLATIONS

- 3 pre-programmed settings allow the AXESS130/NYi 53 to be easily set to the ideal performance requirements of the system.
- all application areas: new building, renovation and replacement.
- for installations: with or without thermostatic regulation valves.
- radiators or underfloor heating.

• STILL EASIER: 3 PRE-PROGRAMMED SETTINGS



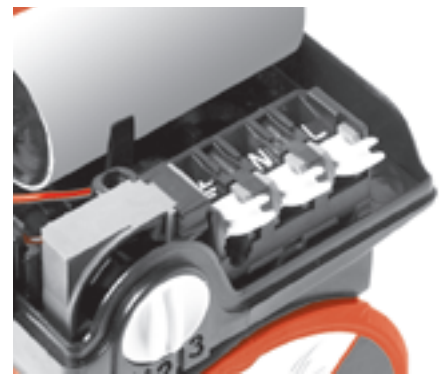
- 3 notches selection.
- factory pre-set for the most standard installations: 80%.
- no other setting: the circulator fits automatically.

• COMPATIBLE WITH THERMOSTATIC REGULATING VALVES

- automatically adjusts its speed to match the ever changing system needs.
- avoids whining of the thermostatic valves.
- reduces water circulation noise in the installation.
- avoids the use of a differential relief valve.

• QUICK FIT ELECTRICAL CONNECTORS

- ample space for electrical cables.
- good spacing between the 3 levers.
- "live, neutral, earth" clearly marked.
- connection holes easily accessible for cables up to 2.5 mm².



DESIGN

• Pump

- Pump casing with threaded ports for direct mounting on pipe.
- Rotating parts in contact with water made of corrosion-proof materials.
- Stainless-steel impeller neck ring.

• Motor

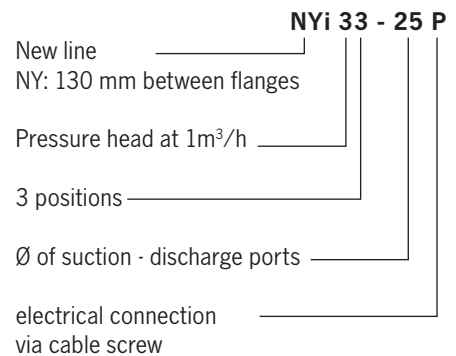
- Wet rotor, bearings lubricated by pumped liquid.
- Rotor chamber protected by sintered bronze filter.
- Hollow shaft.

Speed : see table page 4
 Winding : single-phase 230 V
 Frequency : 50 Hz
 Insulation category : 155 (F)
 Protection index : IP 42
 Temperature class : TF95
 Conformity : NF EN 60335-2-51
 CE
 Type approve : VDE

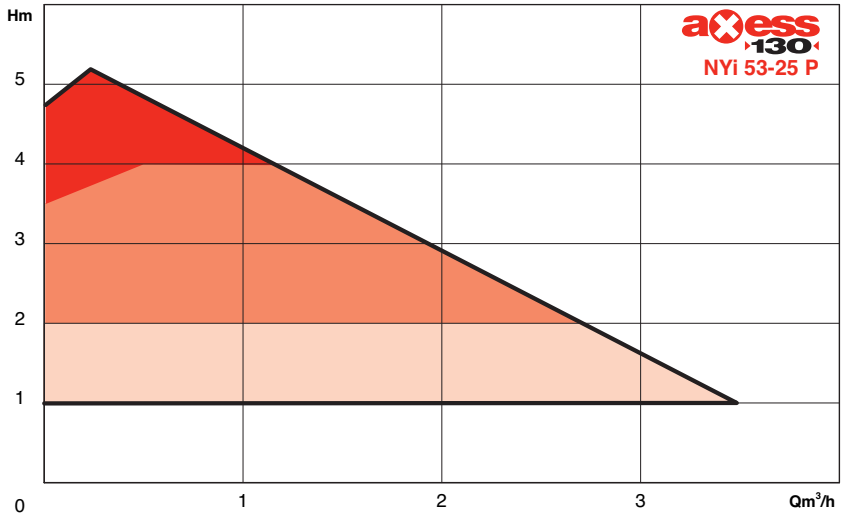
STANDARD CONSTRUCTION

Main parts	Material
Pump housing	Cast iron
Impeller	Composite mat.
Shaft motor-can	Stainless steel
Impeller neck ring	Stainless steel
Bearings	Graphite
Seals	Ethylene-Propylene
Motor housing	Aluminium

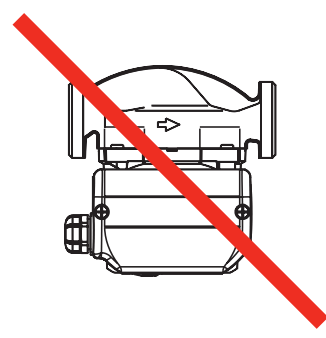
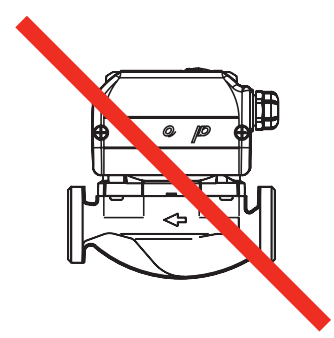
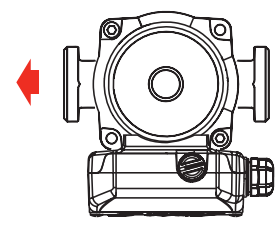
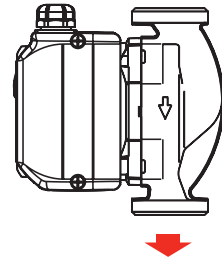
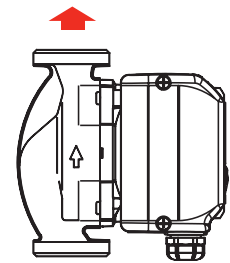
IDENTIFICATION



HYDRAULIC PERFORMANCES - 3 SPEEDS



FITTING POSITIONS



MINIMUM SUCTION PRESSURES

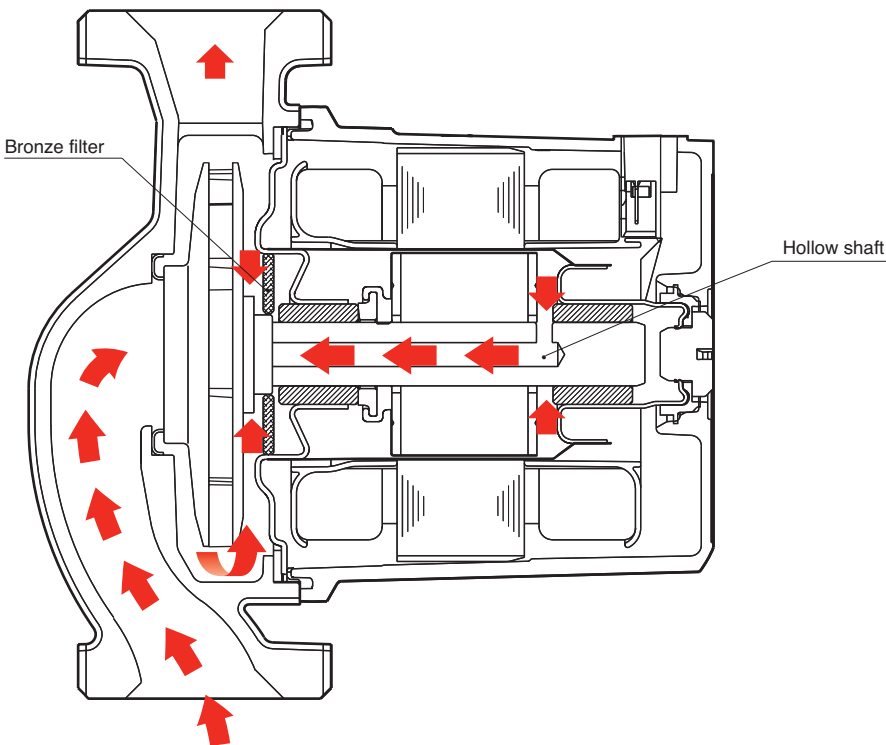
• Minimum suction pressures according to operating temperature

Type	82°C	95°C	110°C
NYi	1,5 mCE	3,0 mCE	10 mCE

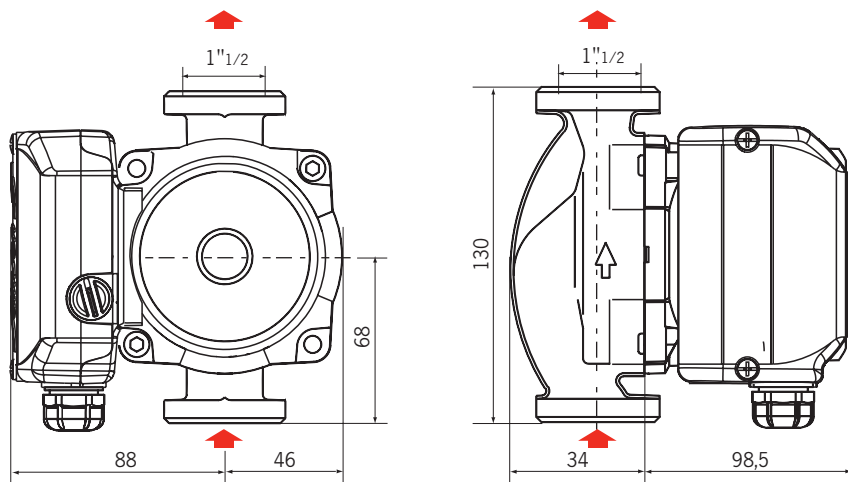
10,2 mCE = 1 bar

To avoid bearing damage and the risks of cavitation of the circulator, it is essential to observe the minimum pressures stated above.

SECTIONAL VIEW



DIMENSIONS



FEATURES

a) Electrical

- All types single-phase, 230 V - 50 Hz with capacitor built into terminal box.
- Motor protection circuit-breaker not required.

b) Installation

- Motor shaft always horizontal.
- Connection to installation: by unions.

c) Packaging

- Supplied with gaskets, without unions.

d) Maintenance

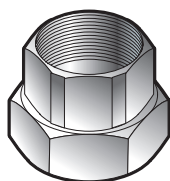
- Standard exchange of circulator.

ORDER REFERENCE	Energy Label	MOTOR						PUMP			weight (kg)		
		Speed (rpm)		P1 (W)		I1 (A)		Condensator	Body casing length	(connexion on threaded pipe)			
		Mini	Maxi	Min	Max	Min	Max			Ø 3/4"		Ø 1"	Ø 1 1/4"
AXESS 130 (NYi 53-25)		1 250	2 690	30	72	0,14	0,31	2 * 400	130 mm	RED 2027 n° 61361	RU 2634 n° 61362	RU 3342 n° 58 672 + Adaptation rings n°4051850	2,6

ACCESSORIES RECOMMENDED



• Adaptor rings ØG 1 1/2 - 2"
Réf.: 4051850



• Union



• Union with valve
RU 2634 - Réf.: 4063825

