

OPERATING LIMITS

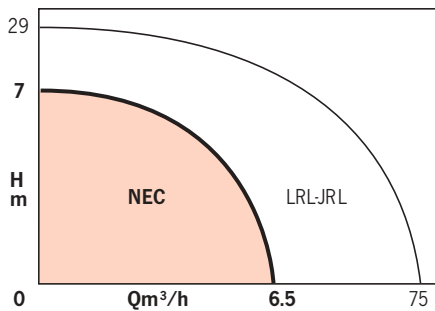
Flow rates up to:	6.5 m ³ /h
Head of up to:	7 m
Max.operating pressure:	10 bar
Temperature range:	- 8° to + 110°C
for domestic hot water:	≤ + 60°C*
Nominal dimensions of connections (ND):	25 or 32**

*As per D.T.U.

**With EC 33 kit

NEC

SINGLE IN-LINE PUMPS Domestic hot water 50 Hz



APPLICATIONS

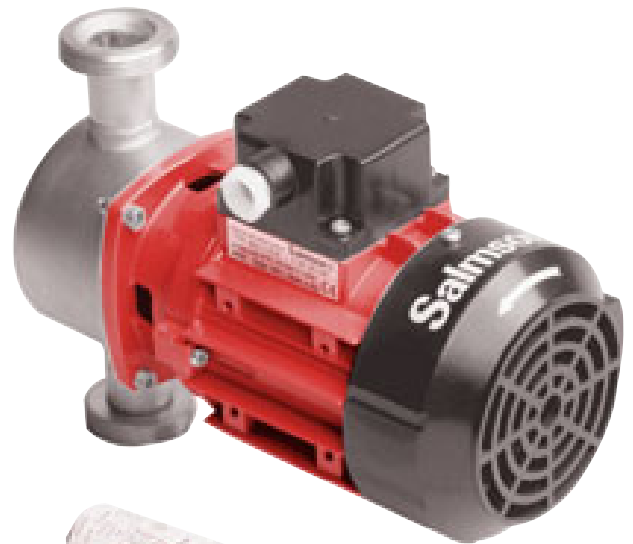
Circulating pumps for:

- domestic hot water distribution systems,
- low-pressure heating systems,
- air conditioning systems,etc.

And for all type of pumping for non-aggressive hot or cold water without abrasive particles in suspension.



• NEC 33 adapter kit



• NEC single-phase -ND25
with NEC 33 kit for ND 32



• NEC 1/2 for single-phase and 3-phase versions

ADVANTAGES

- Preserves quality of water whatever the type of pipes thanks to the stainless steel casing
- Single-piece design for direct fitting onto piping by means of 26-34 pipe unions (not supplied).
- Two fitting possibilities with adapters for ND 32.
- Small overall size.
- Simple to install, no problems with alignment.
- Reliable components.
- Corrosion-resistant mechanical seal.
- Extremely silent operation thanks to new motor bearings.
- Suitable for hard water (TH up to 50 °F).

DESIGN

• Hydraulic section

Single cell, centrifugal.

Volute casing body with "in-line" suction-discharge ports for direct fitting onto piping. Tight sealing on shaft feed-through ensured by self-lubricated, maintenance-free mechanical seal.

• Motor

Ventilated at end of extended stainless steel shaft.

High starting torque.

Bearings greased for whole motor service life - silent running.

Rotational speed

NEC 1 : 1.450 rpm

NEC 2 : 2.850 rpm

Winding single-phase : 230 V

3-phase : 230-400 V

Frequency : 50 Hz

Insulation class : F

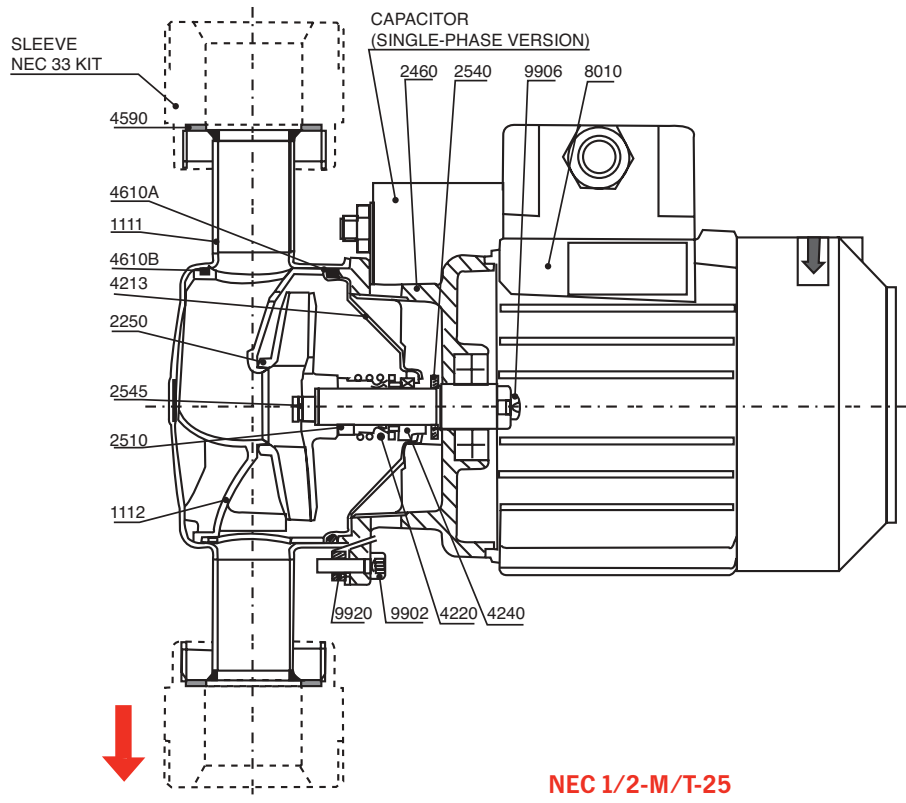
Protection index : IP 44 (motor)

: IP 54 (terminal box)

BASIC CONSTRUCTION

Main parts	Material
Pump casing	Stainless steel 304L
Motor casing	aluminium
Motor shaft	Stainless steel Z7
CND17-12	
Wheel	Polypropylene
Mechanical seal	Ceramic/graphite/E.P.
Casing gasket	Ethylene · Propylene

DRAWINGS - SCHEMATIC SECTIONAL VIEW



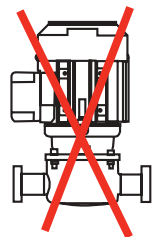
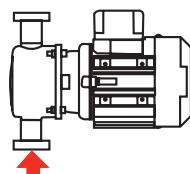
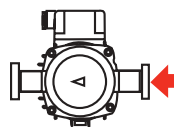
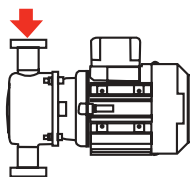
NEC 1/2-M/T-25

PARTS LIST

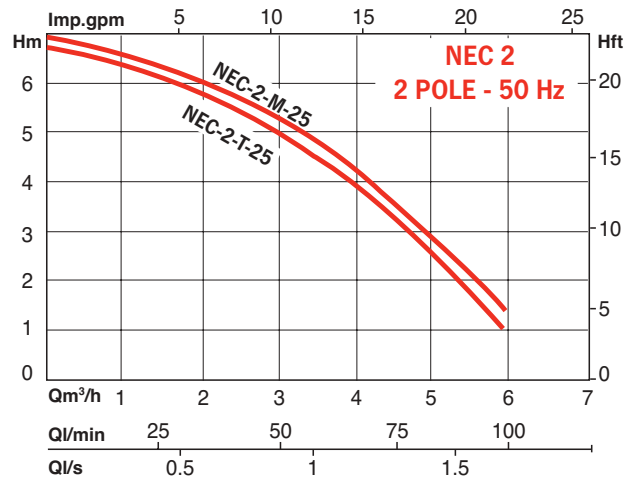
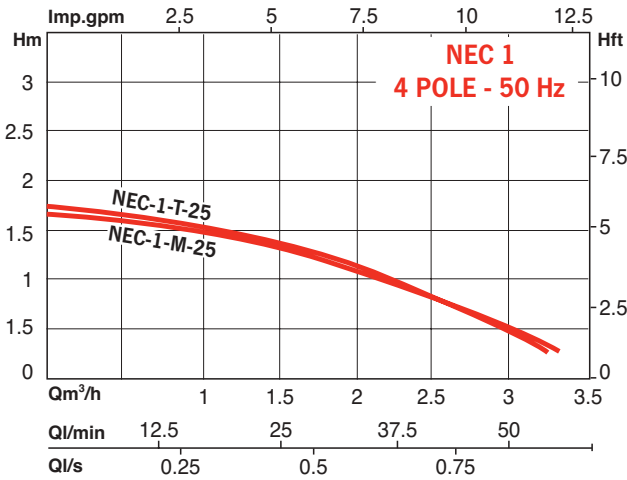
- 1111 - Pump casing
 - 1112 - Internal volute casing
 - 2460 - Spacer sleeve
 - 2510 - Mechanical seal thrust washer
 - 2540 - Deflector
 - 2545 - Circlip
 - 2250 - Wheel
 - 4213 - Mechanical seal carrier
 - 4220 - Rotating seal ring
 - 4240 - Stationary seal ring } mechanical seal
 - 4590 - Flat gasket
 - 4610A - O-ring
 - 4610B - O-ring
 - 6545 - Shaft circlip
 - 8010 - Motor with extended shaft
 - 9902 - Socket head screw
 - 9906 - Hexagonal head screw
 - 9920 - Special nut
- (*) Recommended spare parts

FITTING POSITION

Standard supply

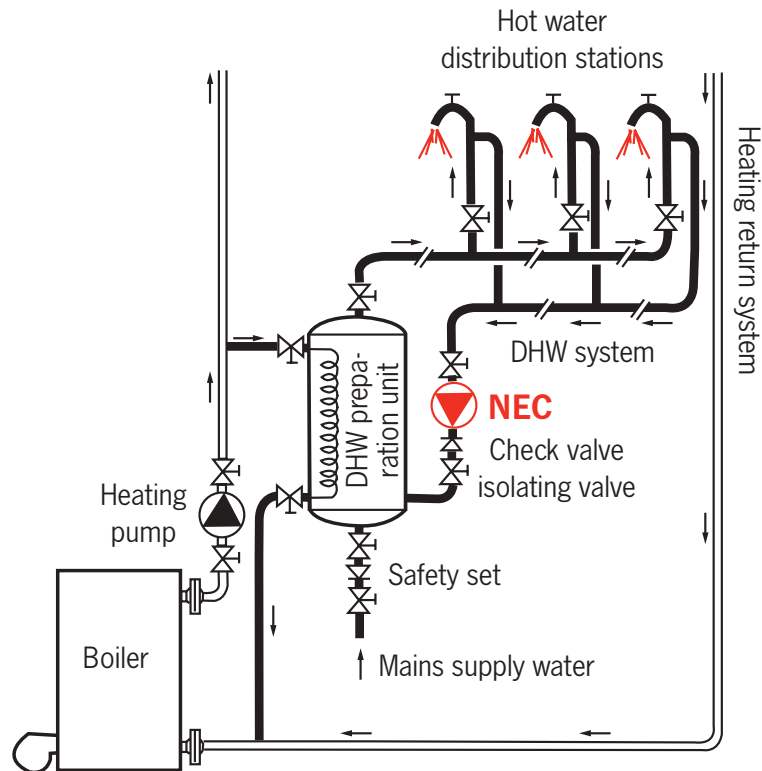


HYDRAULIC PERFORMANCE



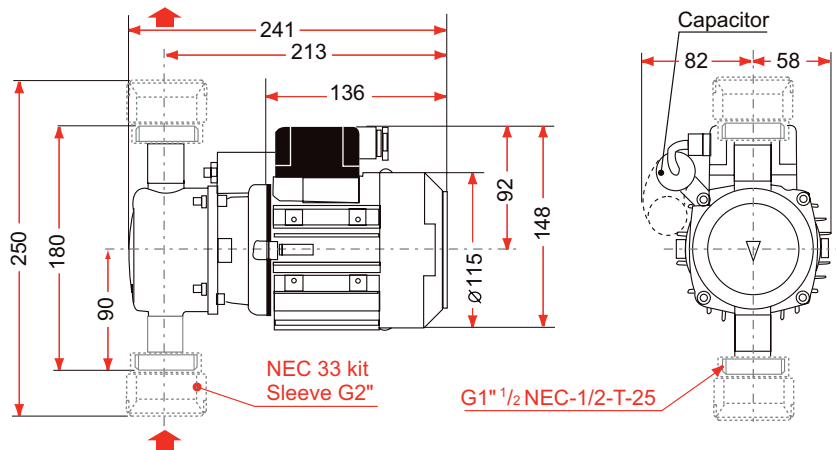
INSTALLATION DIAGRAM

Pump on return system of domestic hot water (D W) distribution loop

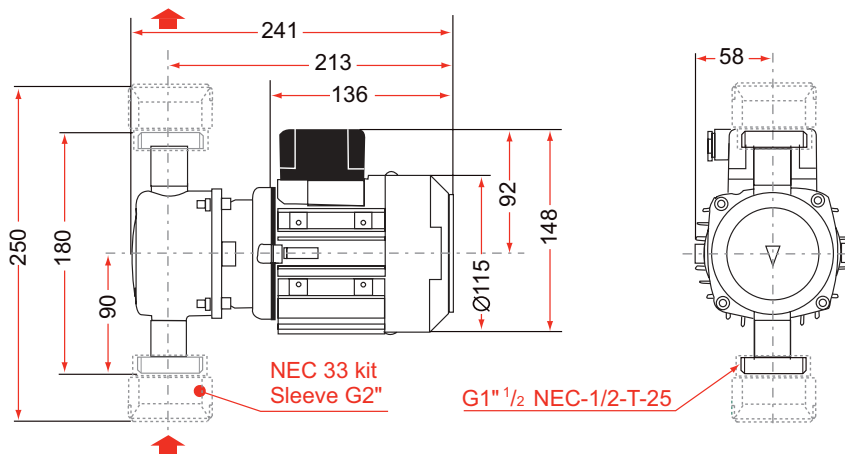


ELECTRICAL DATA AND DIMENSIONS

NEC SINGLE-PHASE



NEC 3-PHASE



SPECIFIC FEATURES

a) Electrical features

- Versions: 3-phase 230-400 V (T) or single-phase 230 V (M) · 50 Hz
- Motor protection by circuit breaker.

b) Fitting

- Direct fitting on piping.
- Motor centreline always horizontal.
- Connection to installation by pipe unions (not supplied).

c) Packaging

- Supplied as standard domestic hot water version with suction port on top and discharge on bottom.
- With two gaskets without pipe unions.

d) Maintenance

- Complete replacement of the set or repair: see recommended spare parts (•) liable to wear.

ORDER REFERENCE	MOTOR					PUMP	
	P2 W	P1 max. W	Current in A for			Capa Mf	Weight kg
			Single-ph. 230 V	3-phase 230 V	3-phase 400 V		
NEC-1-T-25	90	67	—	0.50	0.29	—	4.5
NEC-1-M-25	100	155	1.05	—	—	4	5.5
NEC-2-T-25	120	215	—	0.66	0.38	—	4.5
NEC-2-M-25	180	240	1.15	—	—	6.3	5.5

RECOMMENDED SPARE PARTS

- Pipe unions.
- Adapters: NEC 33 kit (for replacement of NEC 33).
- Circuit breaker for motor protection.
- Check valves.
- Isolating valves.