



SERIES 'HN' HORIZONTAL PUMPS

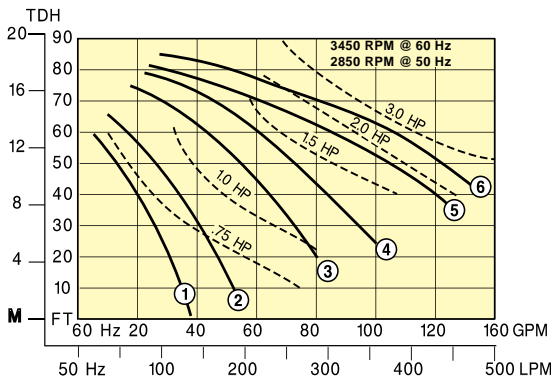
2



RELIABLE CORROSION-RESISTANT PUMPS FOR:

**ACID / AQUEOUS / CAUSTIC /
PLATING / SCRUBBING
WASTES AND WASTE WATER**

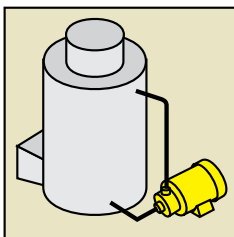
- **Non-metallic solution contact**
30% glass-filled Noryl®
(Refer to a chemical resistance chart)
- **To 135 U.S. GPM or 88 ft. TDH @ 60 Hz**
(425 LPM or 19 M @ 50 Hz)
- **Single mechanical seal**
carbon / silica-free ceramic
EPDM or Viton® elastomers
- **Centrifugal - quiet, vibration-free**
- **Standard NEMA C face 56J TEFC motor**
- **1½" x 1½" FNPT connections**
- **Back pull-out design, easy assembly and maintenance**



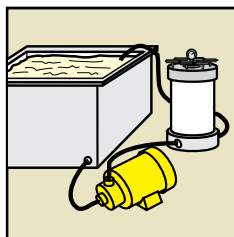
The Series 'HN' pump is capable of "total" chemical resistance, both internally and externally with its non-metallic construction of all wetted components. Engineering grade thermoplastics provide application compatibility with a variety of chemicals that would be corrosive to other materials of construction.

The totally enclosed impeller is molded to close tolerances which allow this pump to operate at peak horsepower efficiency across a broad range of operational flow/head requirements.

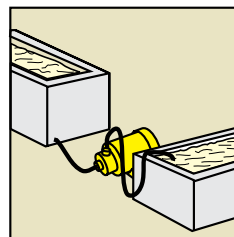
The unique mechanical seal eliminates any metal in contact with the solution pumped. All of these features allow this pump to properly handle many applications at a fraction of the cost of exotic alloys.



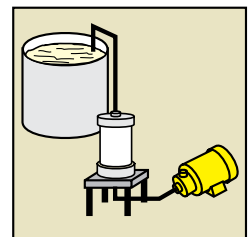
**PRESSURE
SPRAYING**



**FILTER
SYSTEM**



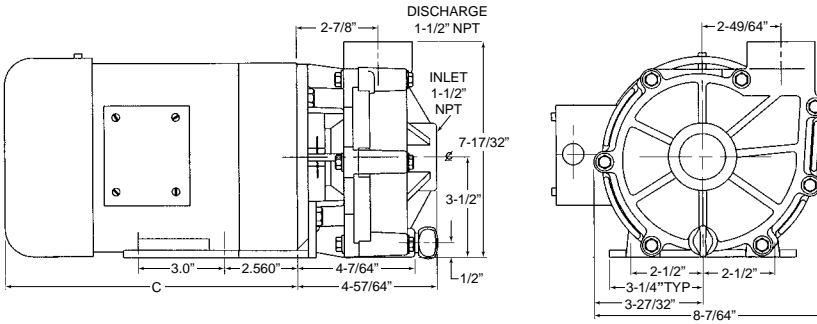
**WASTE
TREATMENT**



**SOLUTION TRANSFER
w/PRIMING CHAMBER**



DIMENSIONS



HP	Typical "C" dimensions of TEFC motor and wt. of pump / motor unit.	
	1 Phase	3 Phase
3/4	10.25" 35 lbs.	9.38" 30 lbs.
1	11.25" 44 lbs.	9.38" 33 lbs.
1.5	11.50" 49 lbs.	10.25" 35 lbs.
2	12.25" 55 lbs.	11.38" 44 lbs.
3	--	12.13" 54 lbs.

Motor dimensions may vary.

TO ORDER, use Price Code No.

TABLE I - Complete Noryl pump & motor

FLOW CURVE NO.	MAX. FLOW		MAX. TDH		EPDM - carbon / ceramic SEAL		VITON - carbon / ceramic SEAL	
	GPM @ 60 Hz	l/m @ 50 Hz	FT.	M	MODEL NO.	PRICE CODE NO.	MODEL NO.	PRICE CODE NO.
1	36	113	65	14	H1 ¹ / ₂ x 1 ¹ / ₂ NE1L(M1)-D.75	42-1011 F	H1 ¹ / ₂ x 1 ¹ / ₂ NE1V(M2)-D.75	42-1012 F
2	54	170	72	15	H1 ¹ / ₂ x 1 ¹ / ₂ NE2L(M1)-D1.0	42-1021 G	H1 ¹ / ₂ x 1 ¹ / ₂ NE2V(M2)-D1.0	42-1022 G
3	80	236	78	15	H1 ¹ / ₂ x 1 ¹ / ₂ NE3L(M1)-D1.5	42-1031 H	H1 ¹ / ₂ x 1 ¹ / ₂ NE3V(M2)-D1.5	42-1032 H
4	100	308	84	18	H1 ¹ / ₂ x 1 ¹ / ₂ NE4L(M1)-D1.5	42-1041 H	H1 ¹ / ₂ x 1 ¹ / ₂ NE4V(M2)-D1.5	42-1042 H
5	124	390	85	18	H1 ¹ / ₂ x 1 ¹ / ₂ NE5L(M1)-D2.0	42-1051 J	H1 ¹ / ₂ x 1 ¹ / ₂ NE5V(M2)-D2.0	42-1052 J
6	135	425	88	19	H1 ¹ / ₂ x 1 ¹ / ₂ NE6L(M1)-D3.0	42-1061 K	H1 ¹ / ₂ x 1 ¹ / ₂ NE6V(M2)-D3.0	42-1062 K

NOTE: Motors are 230-460V / 3 / 60 Hz. See Table II for 1 and / or other HP

TABLE II - Select pump components

EXAMPLE: Model H1¹/₂ x 1¹/₂ Material N Impeller E Curve 3 Seal V(M2) Motor = Price Code No. -C1.5 42-1032 C

PUMP		MAT'L of CONSTRUCTION		IMPELLER TYPE		FLOW CURVE		SEAL		HP	MOTOR 115-230V / 1 / 60		MOTOR 230-460V / 3 / 60	
MODEL	PCN	MODEL	PCN	MODEL	PCN	MOD. & PCN	MODEL	PCN	MODEL TEFC		PRICE CODE	MODEL TEFC	PRICE CODE	
H1 ¹ / ₂ x 1 ¹ / ₂ Horizontal 1 ¹ / ₂ x 1 ¹ / ₂ FTPT connections	42-	N	1	E	0	1	L (M1)	1	.75	-C.75	A	-D.75	F	
						2			EPDM	1.0	-C1.0	B	-D1.0	G
						3	V (M2)	2	1.5	Carb./ ceramic	-C1.5	C	-D1.5	H
						4			2.0	-C2.0	D	-D2.0	J	
						5	Viton	3.0	-C3.0	E	-D3.0	K		
						6	Carb. / ceramic							

Consult Sales Dept. for 50 Hz or other motors.