

# SERFILCO<sup>®</sup> SERIES 'X' MAGNETIC COUPLED PUMPS

BULLETIN  
P-511D  
JUNE 2009

**NON-METALLIC AND SEAL-LESS PROVIDING  
TOTAL VAPOR AND SOLUTION CONTAINMENT FOR:**



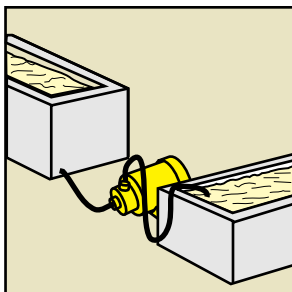
**ACID / AQUEOUS / CAUSTIC  
CHEMICAL / PLATING  
PHOTOGRAPHIC**

- **Flows from 1 to 25 U.S. GPM @ 60 Hz  
(3 - 78 LPM @ 50 Hz)**
- **Non-metallic solution contact**  
Polypropylene, PVDF, ETFE, Viton<sup>®</sup>
- **NPT or hose barb connections**
- **Strong magnets will handle liquids to  
1.3 specific gravity**
- **Continuous duty design**
- **Compact, quiet and efficient**
- **UL approved, CEC conforming**
- **Motors are available  
115V/1/60 Hz or  
230V/1/50-60 Hz**
- **Designed to replace similar OEM pumps**

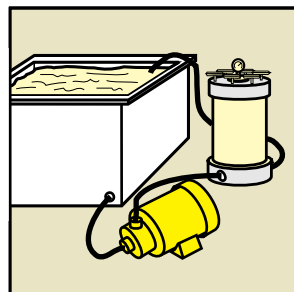
SERIES 'X' Magnetic Coupled Pumps are the latest in magnetic coupled pump technology. Tested and proven design features provide a pump that is seal-less and leakproof. Available materials of construction and flow capacities from 1 to 25 U.S. GPM make these pumps an excellent choice for a wide variety of applications from water at ambient temperatures to harsh chemicals at elevated temperatures.

Standard 'X' models have strong magnets and powerful, highly efficient continuous duty motors which allow them to operate non-overloading and provide continuous flow with liquids up to 1.3 specific gravity. Compact and quiet Series 'X' pumps are designed to provide years of trouble-free operation.

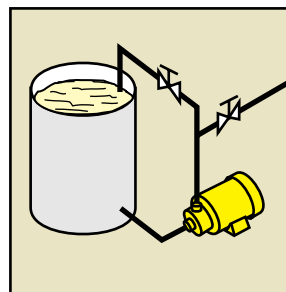
The following information covers standard Series 'X' models. For other models and magnetic coupled pumps to 250 GPM, consult our Sales Dept.



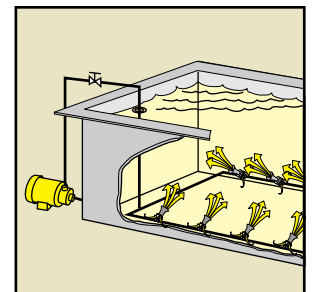
**WASTE TREATMENT**



**FILTER SYSTEM**

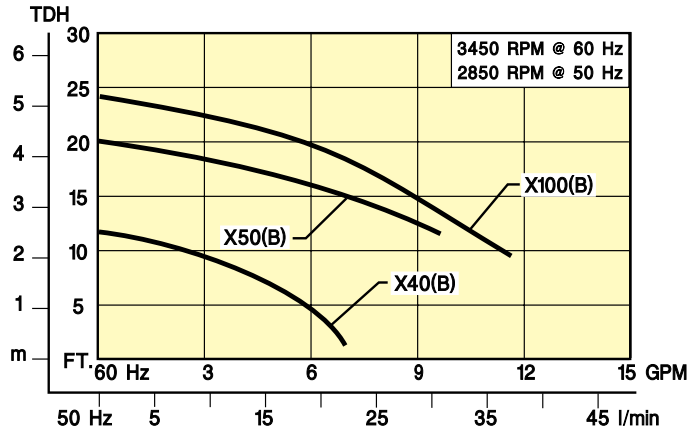


**MIXING and TRANSFER  
PUMPING**

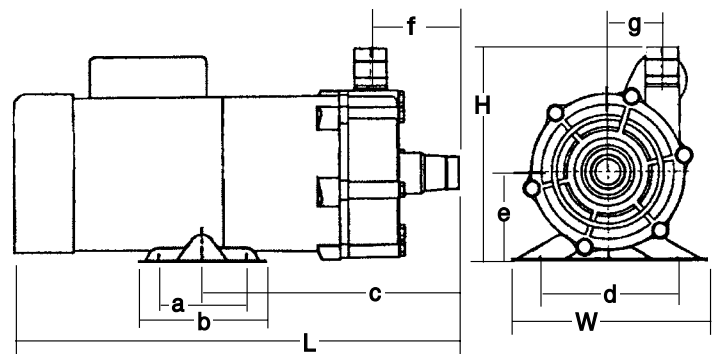
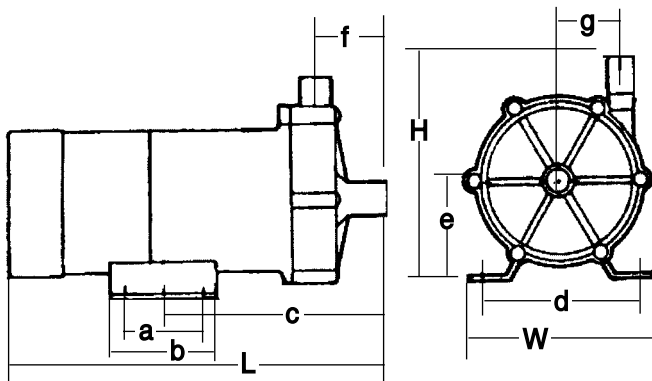
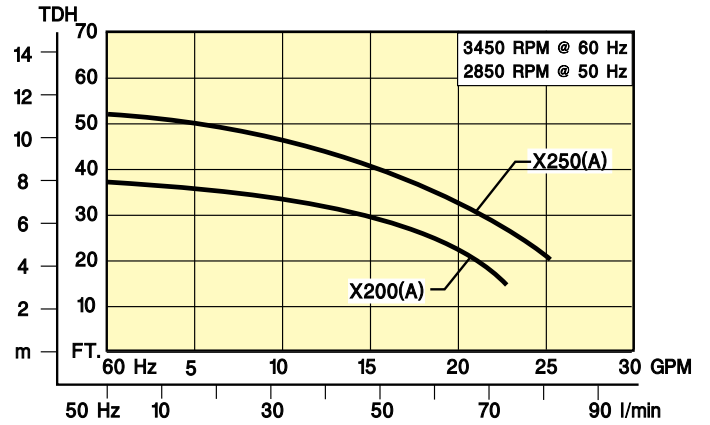


**EDUCTOR AGITATION  
and MIXING**

**Models X40, X50 & X100**



**Models X200 & X250**



**Models X40, X50 & X100**

**Models X200 & X250**

| MODEL | DIMENSIONS (Inches) |      |       |      |      |      |      |      |      |      |
|-------|---------------------|------|-------|------|------|------|------|------|------|------|
|       | W                   | H    | L     | a    | b    | c    | d    | e    | f    | g    |
| X40   | 3.73                | 4.53 | 8.08  | 1.19 | 1.97 | 5.18 | 2.68 | 2.17 | 1.30 | 1.12 |
| X50   | 4.72                | 5.12 | 9.12  | 1.58 | 2.52 | 6.65 | 3.94 | 2.36 | 1.89 | 1.22 |
| X100  | 4.36                | 5.12 | 10.31 | 1.58 | 2.52 | 6.65 | 3.94 | 2.36 | 1.89 | 1.22 |
| X200  | 6.14                | 6.50 | 13.97 | 2.76 | 3.94 | 8.07 | 4.33 | 2.59 | 2.75 | 1.72 |
| X250  | 6.14                | 6.50 | 14.30 | 2.76 | 3.94 | 8.07 | 4.33 | 2.59 | 2.75 | 1.72 |

Registered trademarks: Viton - Dupont Dow Elastomers; Rulon - Dixon; Ryton - Phillips Chemical

Select flow curve providing desired performance. Select materials of construction and connections required. Use Price Code Number to order.

**POLYPROPYLENE / VITON w/HOSE CONNECTIONS**

| FLOW CURVE | MAX. FLOW GPM | MAX. TDH Ft. | HP   | CONNS. In. | S. G. * | MODEL NUMBER           | PRICE CODE NO. |
|------------|---------------|--------------|------|------------|---------|------------------------|----------------|
| X40 (B)    | 7.3           | 11.6         | 1/40 | 5/8        | 1.3     | X40PV 5/8H CRYR B C.02 | 81-4114 2D     |
| X50 (B)    | 10            | 20           | 1/15 | 3/4        | 1.3     | X50PV 3/4H CRYR B C.06 | 81-5134 2E     |
| X100 (B)   | 12            | 24           | 1/10 | 3/4        | 1.3     | X100PV 3/4H CRYR B C.1 | 81-6134 2F     |
| X200 (A)   | 24            | 36           | 1/5  | 1          | 1.1     | X200PV 1H CR A C.2     | 81-7156 1G     |
| X250 (A)   | 29            | 50           | 1/3  | 1          | 1.1     | X250PV 1H CR A C.3     | 81-8156 1H     |

**POLYPROPYLENE / VITON w/MNPT CONNECTIONS**

|          |     |      |      |     |     |                        |            |
|----------|-----|------|------|-----|-----|------------------------|------------|
| X40 (B)  | 7.3 | 11.6 | 1/40 | 3/4 | 1.3 | X40PV 3/4T CRYR B C.02 | 81-4144 2D |
| X50 (B)  | 10  | 20   | 1/15 | 3/4 | 1.3 | X50PV 3/4T CRYR B C.06 | 81-5144 2E |
| X100 (B) | 12  | 24   | 1/10 | 3/4 | 1.3 | X100PV 3/4T CRYR B C.1 | 81-6144 2F |
| X200 (A) | 24  | 36   | 1/5  | 1   | 1.1 | X200PV 1T CR A C.2     | 81-7166 1G |
| X250 (A) | 29  | 50   | 1/3  | 1   | 1.1 | X250PV 1T CR A C.3     | 81-8166 1H |

**PVDF / VITON w/HOSE CONNECTIONS**

|          |     |      |      |     |     |                       |            |
|----------|-----|------|------|-----|-----|-----------------------|------------|
| X40 (B)  | 7.3 | 11.6 | 1/40 | 3/4 | 1.3 | X40KV 5/8H CRT B C.02 | 81-4213 2D |
| X50 (B)  | 10  | 20   | 1/15 | 3/4 | 1.3 | X50KV 3/4H CRT B C.06 | 81-5233 2E |
| X100 (B) | 12  | 24   | 1/10 | 3/4 | 1.3 | X100KV 3/4H CRT B C.1 | 81-6233 2F |

**ETFE / VITON w/MNPT CONNS.**

|          |    |    |     |   |     |                    |            |
|----------|----|----|-----|---|-----|--------------------|------------|
| X200 (A) | 24 | 36 | 1/5 | 1 | 1.1 | X200EV 1T CR A C.2 | 81-7366 1G |
| X250 (A) | 29 | 50 | 1/3 | 1 | 1.1 | X250EV 1T CR A C.3 | 81-8366 1H |

\* Consult Sales Dept. for operation with solutions having higher specific gravity.

**OPTIONAL**

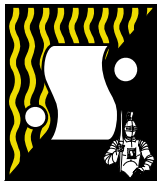
| DESCRIPTION                        | ADD TO MODEL NO.         | ADD TO PRICE CODE NO. |
|------------------------------------|--------------------------|-----------------------|
| OPTIONAL Motor - 230V / 1Ø / 50-60 | -50                      | 5                     |
| EDPM elastomers                    | Consult Sales Department |                       |

**MODEL KEY**

| Series | Materials       | Connections           | Friction Surfaces | Spindle | R. Thrust  | F. Thrust | Bearing | Mouth Ring | Impeller  | Motor | HP   |
|--------|-----------------|-----------------------|-------------------|---------|------------|-----------|---------|------------|---|-------|------|
| X40    | PV              | 5/8H = 5/8" hose barb | CRT               | Ceramic | Rulon®/TFE | Rulon/TFE | Ceramic | —          | A to 1.1 S.G.<br>B to 1.3 S.G.<br>C to 1.5 S.G. | C.02  | 1/40 |
| X50    | PP / Viton      | 1/2T = 1/2" MNPT      | CRYR              | Ceramic | Ryton®     | Rulon     | Ceramic | —          |   | C.06  | 1/15 |
| X100   | KV              | 3/4H = 3/4" hose barb | CR                | Ceramic | Ceramic    | Ceramic   | Rulon   | Rulon      |   | C.1   | 1/10 |
| X200   | 100% PVDF/Viton | 3/4T = 3/4" MNPT      |                   |         |            |           |         |            |   | C.2   | 1/5  |
| X250   | EV              | 1H = 1" hose barb     |                   |         |            |           |         |            |   | C.3   | 1/3  |
|        | ETFE / Viton    | 1T = 1" MNPT          |                   |         |            |           |         |            |   |       |      |

**GENERAL PRODUCT NOTES:**

- ⚠ Caution: Consult chemical resistance guide to assure material / solution compatibility.
- Do not use with liquids having ferrous (magnetic) metal particles.
- Standard 115V/1Ø/60 Hz motors include 6 ft. cord with molded 60 Hz plug.
- PV and EV models are glass reinforced.



# SERFILCO®

2900 MacArthur Blvd.  
Northbrook, IL. 60062-2005  
U.S.A.  
www.serfilco.com

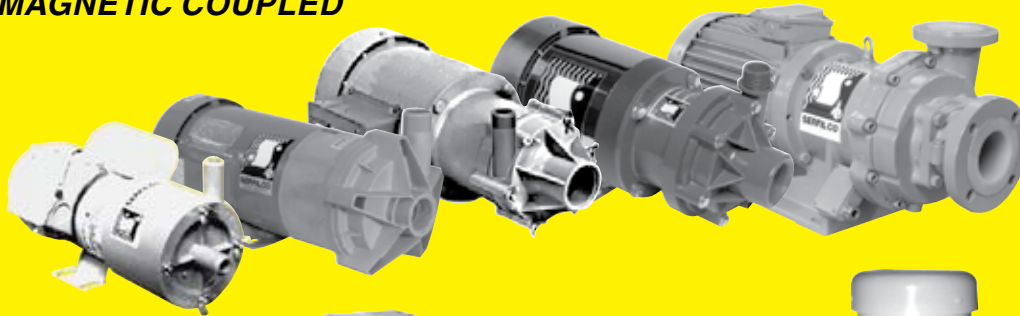
(800) 323-5431  
(847) 509-2900  
Fax: (847) 559-1141  
sales@serfilco.com

PRESORTED STANDARD  
U.S. POSTAGE  
PAID  
NORTHBROOK, ILLINOIS  
PERMIT NO. 2018

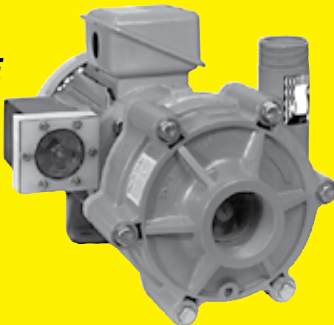
---

## SERFILCO — YOUR HEADQUARTERS FOR PUMPS

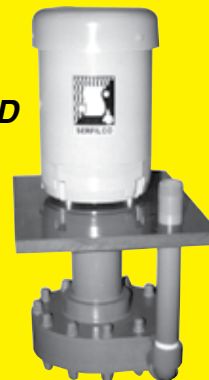
### **MAGNETIC COUPLED**



### **DIRECT DRIVE with water flushed seals**



### **VERTICAL CANTILEVERED**



### **DRUM**

