

DFG 型管道泵 Type DFG vertical centrifugal pump



特点 Features

- DFG系列（并派生出热水型）管道泵是我公司利用优秀的水利模型、并根据各类用户在不同使用条件下精心设计而成（符合JB/T6878-2006标准）。

DFG series (pipe hot water pump is derived from this type) are designed carefully according to different working conditions. The hydraulic model is excellent. These pumps measure up to JB/T53058-93 quality standard.

- DFG系列管道泵由于电机与泵直联，简化了中间传动的结构，增强了运转的平稳性，轴封采用硬质合金机械密封，无泄漏。泵采用管道式结构，泵的进出口能象阀门一样安装在管道的任何位置及任何方向，与普通卧式泵比占地面积减少了30%，且具有运转噪音低，振动小等特点。易损件的使用寿命大大延长。本型泵以其性能稳定、高效节能、占地面积小、结构紧凑等特点，广受市场青睐。The motor and pump are joined directly without transmission parts. So they operate smoothly. The shaft seal is made with hard alloy mechanical seal, therefore, there is no leakage. The inlet and outlet can be fixed anywhere like valves in pipeline. Compared with common horizontal pump, DFG series can decrease 30 percent floor space. Besides, they feature smooth operation and lower noise etc. The life of damageable parts is prolonged. In conclusion, this series pumps are favored in market because of their smooth operation, high efficiency, less energy consumption, small floor space and compact structure.

用途 Applications

- 适用于工业、城市给水、高层建筑供水； Water supply in industry, cities and high-rises;
- 消防管道增压； Fire fighting pipeline pressurizing;
- 冷暖空调热水循环； Cold and hot water circulation in air-conditioning;
- 远距离输水； Transport water from far away;
- 生产工艺循环增压输送，并适用于各种给排水设备、锅炉等设备的配套使用； Pressurizing transport in industrial circulating system, and all kinds of water supply equipments, boiler etc.

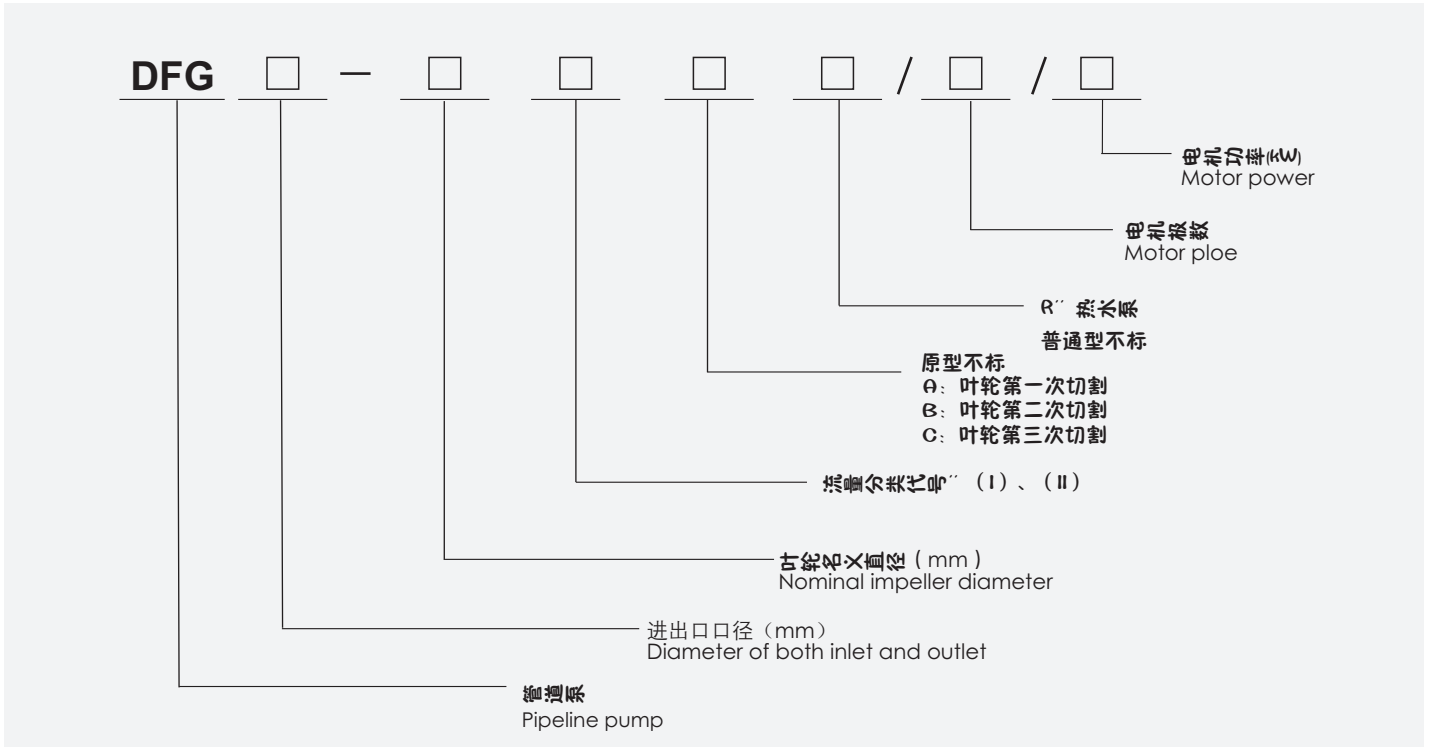
工作条件 Operating conditions

- 吸排介质的固体不溶物体积不超过体积的1%，粒度 $\leq 0.2\text{mm}$ ； The volume of non-soluble solid in operating medium can 1 percent than which of total medium. Besides, granularity should not greater than 0.2mm.;
- 流量范围 Capacity range: 2 ~ 1400m³/h; 扬程范围 Head range: 5~130m;
- 泵系统最高工作压力 $\leq 1.6\text{MPa}$ ，即吸入压力+泵扬程 $\leq 1.6\text{MPa}$ ； System Max. working pressure should not be greater than 1.6MPa, namely pressure in suction add to head of head should not be greater than 1.6MPa.;
- 介质温度 Liquid temperature: $-15^{\circ}\text{C} < T < +105^{\circ}\text{C}$; 周围环境温度 Ambient temperature: $\leq 40^{\circ}\text{C}$;
- 电机防护等级 Motor's degree of protection: IP54或IP44; 电机绝缘等级 Motor's class of insulation: B级或F级;

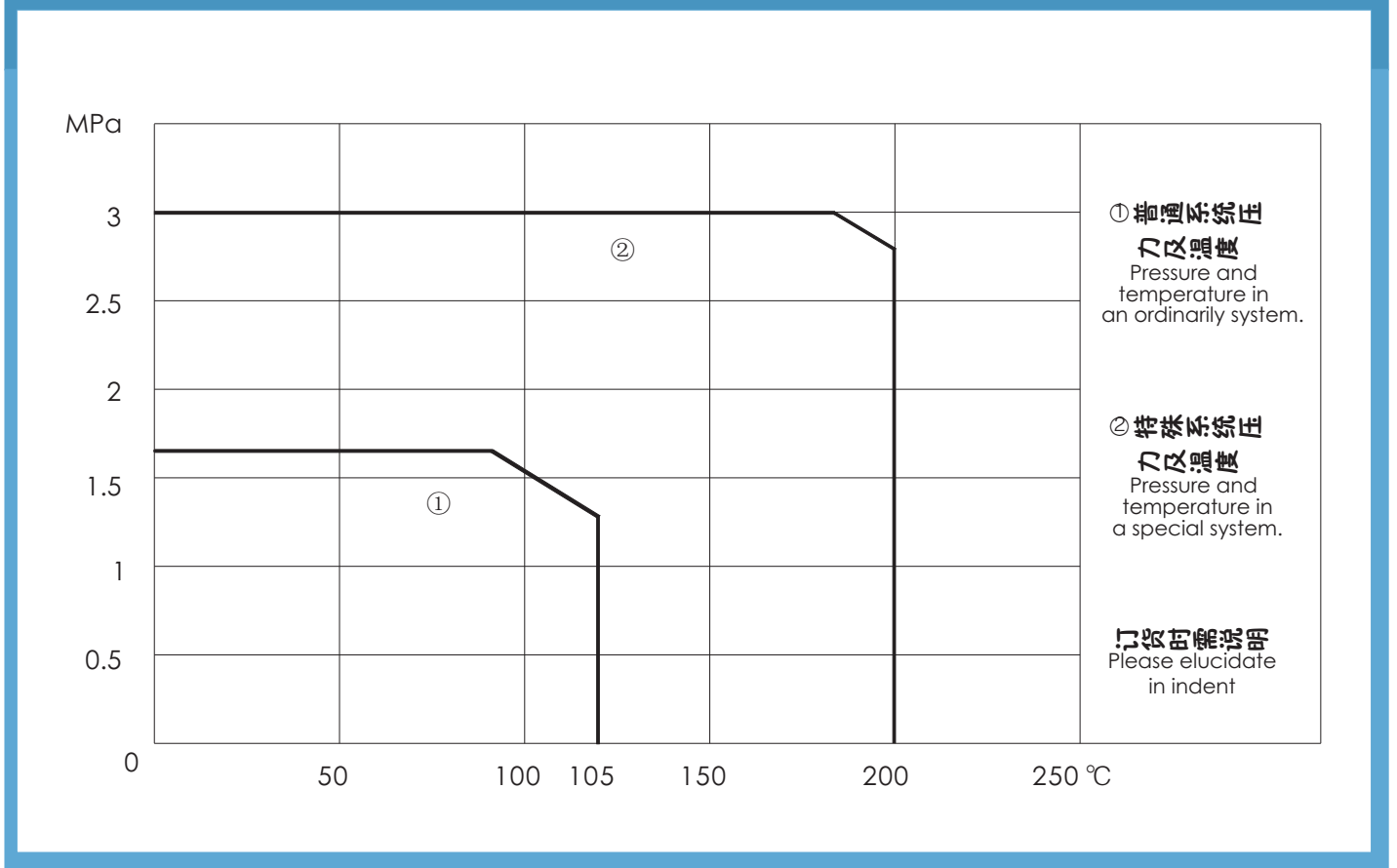
注：特殊温度及压力订货时应另行说明，以便提供更力可靠产品。

Note: Please elucidate when temperature and pressure are special, so that we can supply you credible products.

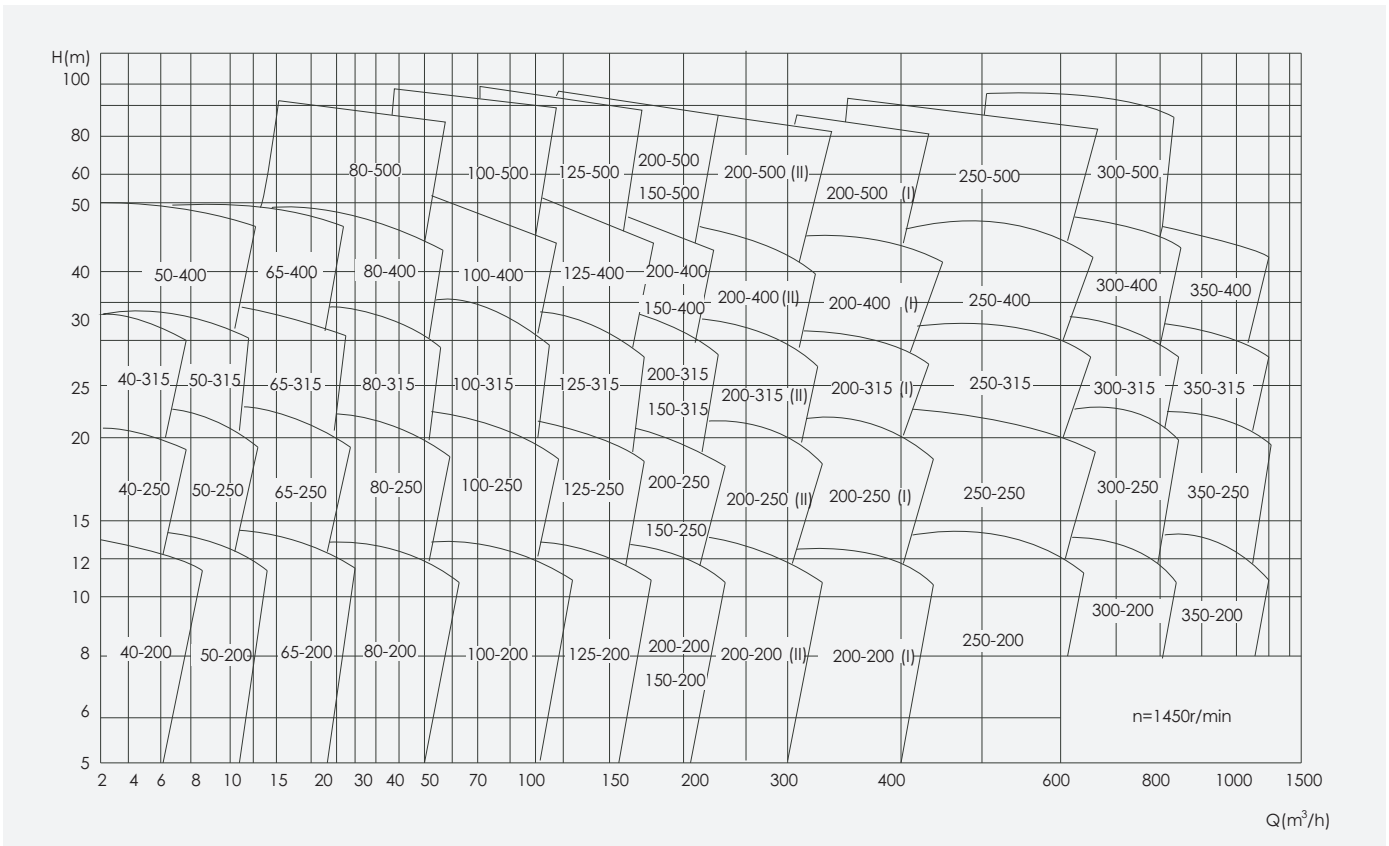
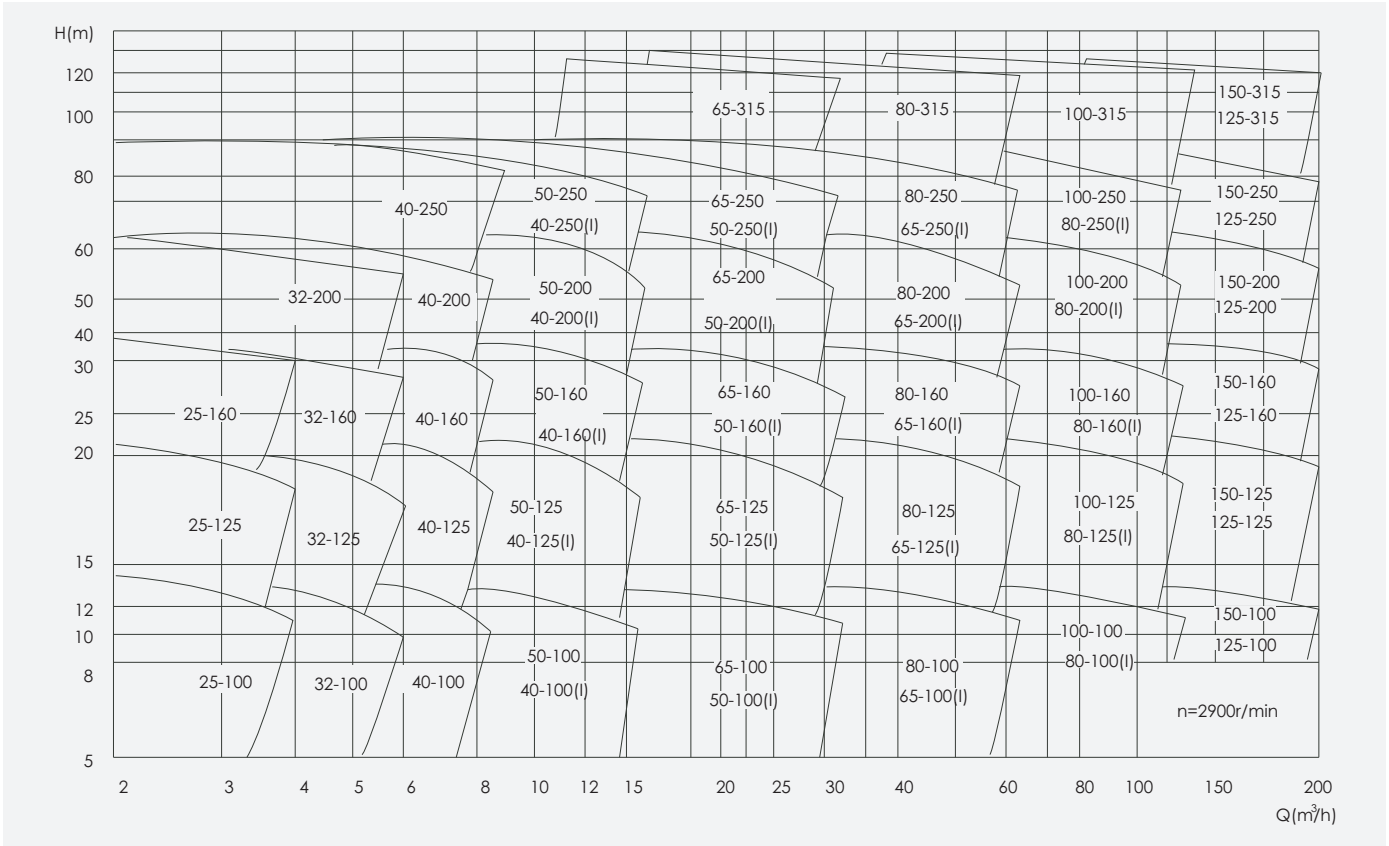
■ 型号意义 Designation



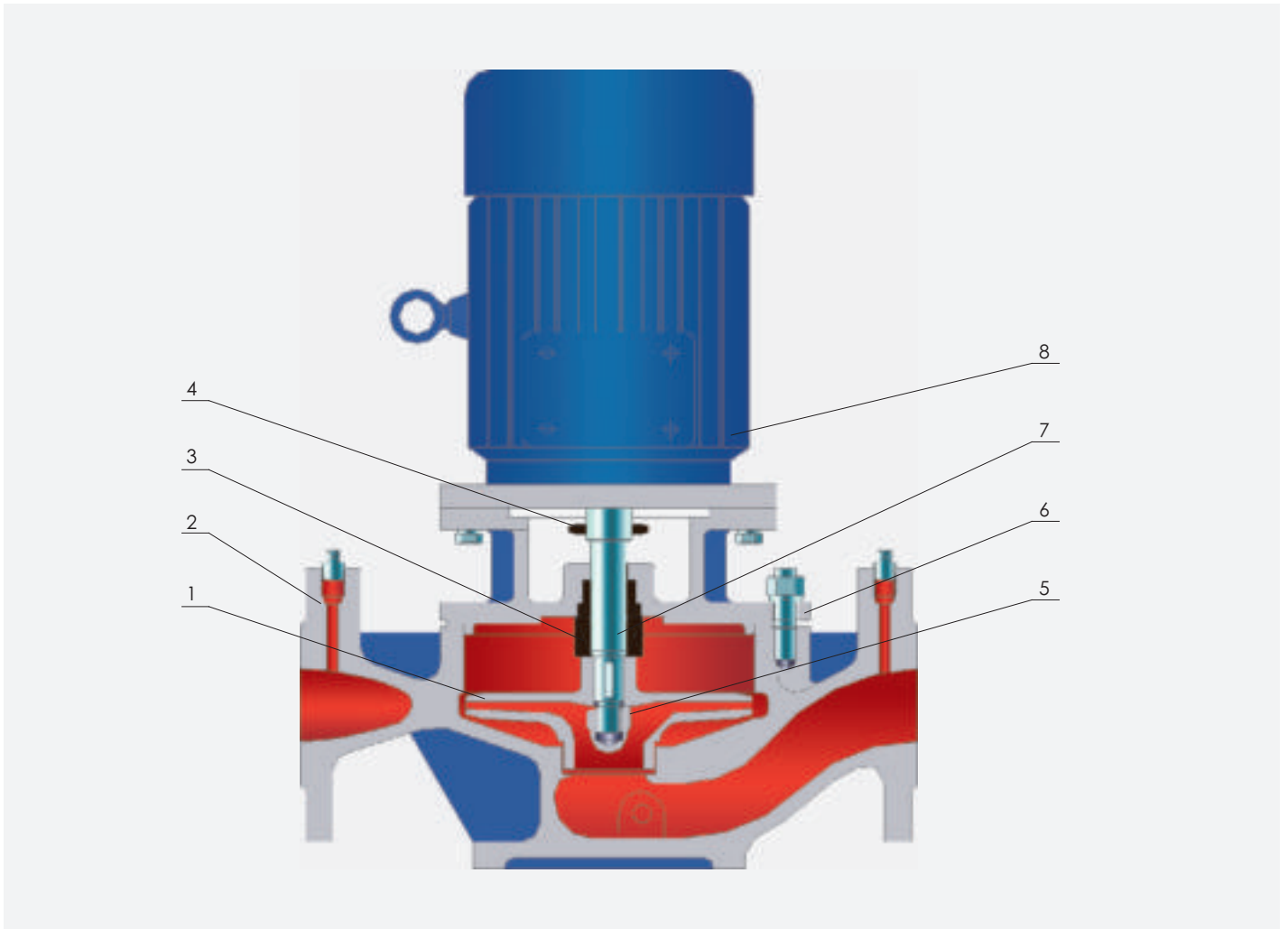
■ 压力温度图 Pressure-Temperature chart



■ 型谱图 Hydraulic coverage



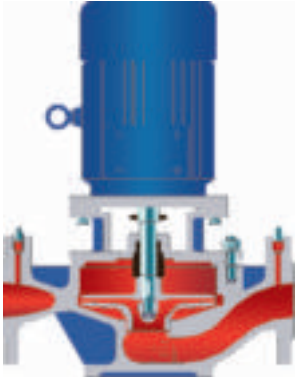
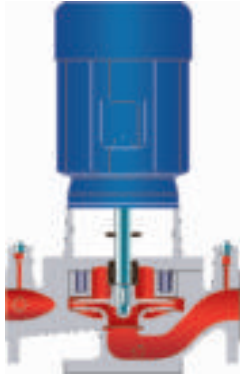
DFG 结构图 Arrangement drawing



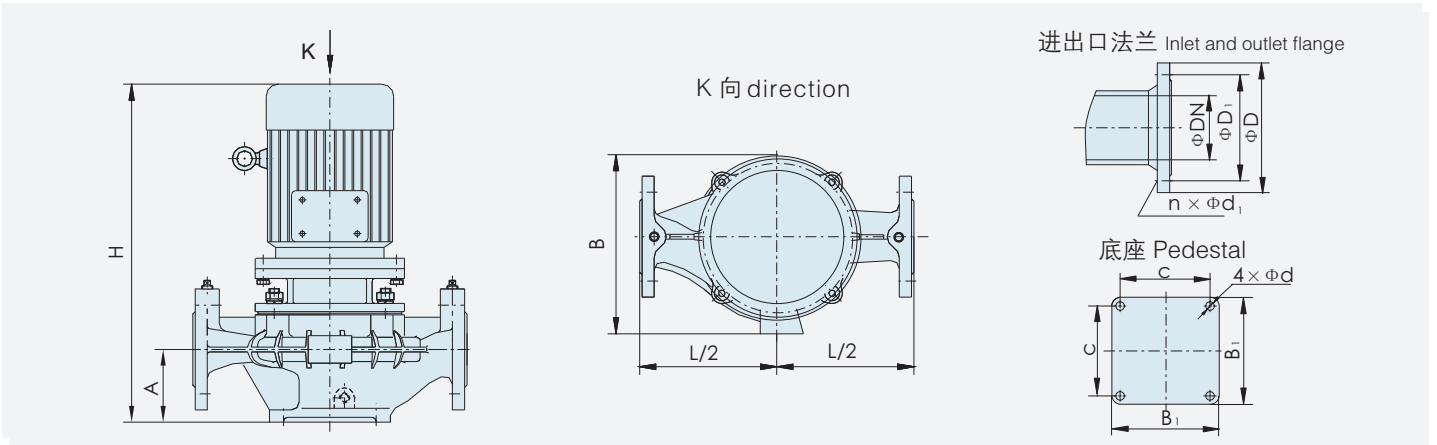
DFG 材料表 Materials table

序号 No.	1	2	3	4	5	6	7	8
名称 Name	叶轮 Impeller	泵体 Casing	机械密封 Mechanical seal	挡水圈 Water-block ring	叶轮螺母 Impeller nut	端盖 Casing cover	泵轴 Axis	电机 Motor
材料 Material	HT200	HT200	碳化硅对石墨 Carborundum	橡胶 Rubber	45或12Cr13	HT200	45或12Cr13	Y或Y2
定制材料 Custom-material	锡青铜 Bronze ZG07Cr19Ni9	ZG230-450 ZG07Cr19Ni9	硬质合金 Hard alloy		20Cr13 ZG07Cr19Ni9	ZG230-450 ZG07Cr19Ni9	20Cr13 ZG07Cr19Ni9	YB

■ DFG 与普通管道泵比较图表 Compare with DFG and common pipeline pump

名称 Name	DFG管道泵 DFG pipeline pump	普通管道泵 Common pipeline pump
比较图 Compare drawing		
叶轮 Impeller	<ul style="list-style-type: none"> 采用CAD优化设计的水力模型，高效节能，抗汽蚀性能好； The excellent hydraulic model is designed by CAD It features high efficiency, less energy consumption and good ability of anti-vaporize. 采用精密铸造，流道光滑，效率高，使用寿命长； Founded exactly. So the flow passage is very smooth and efficiency is high, working life is long. 采用先进的平衡技术，运行更加平稳，振动小。 Advanced balance technology make pump operate smoothly and shake lightly. 	<ul style="list-style-type: none"> 水力性能，抗汽蚀性能不如DFG； Hydraulic performance and anti-vaporize ability are not as good as DFG. 流道光滑程度，效率和使用寿命不如DFG； The flow passage is not as smooth as DFG, the efficiency is lower and the working life is shorter than DFG. 运转平稳性不如DFG。 The working stability is worse than DFG.
泵体 Casing	<ul style="list-style-type: none"> 采用CAD优化设计的水力模型，高效节能； The excellent hydraulic model is designed by CAD and has high efficiency, less energy consumption. 采用精密铸造，流道光滑，效率高，使用寿命长； Founded exactly. So the flow passage is very smooth and efficiency is high, working life is long. 外观设计采用装饰和加强双重作用的筋板，更加美观耐用。 The brackets outside not only beautify the pump but are supports. 	<ul style="list-style-type: none"> 水力性能不如DFG； Hydraulic performance is worse than DFG. 流道光滑程度，效率不如DFG； The flow passage is not as smooth as DFG, and the efficiency is low. 外观和使用寿命不如DFG。 The appearance is not as beautiful as DFG and working life is shorter.
密封系统 Seal system	<ul style="list-style-type: none"> 各种密封形式和磨擦付不同材质的匹配，密封性能更加可靠。 All kinds of forms and materials are adopted in seal system. So the seal performance is credible. 	<ul style="list-style-type: none"> 密封可靠性、使用寿命基本相同。 It has the same seal performance as DFG. The working life is as long as DFG.
整体结构 Overall structure	<ul style="list-style-type: none"> 系列化设计的轴伸，通用化程度高，整体结构更加紧凑、可靠。 Shafts are designed in series, so they are universal. The overall structure is compact and credible. 	<ul style="list-style-type: none"> 通用化、结构紧凑性、可靠性基本相同，但DFG外形更加美观。 The pump are also universal, compact and credible. But the appearance is worse than DFG.
性能范围 Performance range	<ul style="list-style-type: none"> 覆盖面广，分布合理。 Range of use is large and distributing is reasonable. 	<ul style="list-style-type: none"> 基本相同。 Same to DFG.
基建投资及其他 Investment in capital construction	<ul style="list-style-type: none"> 占地面积与普通泵组相比，因泵组为立式安装且泵与电机直联，占地面积比普通卧式泵少30%； The pump is vertical and connected with motor directly, so has 30 percent smaller floor space than common pump. 	<ul style="list-style-type: none"> 基本相同； Same to DFG.

DFG 型泵安装尺寸图 Type DFG dimension figure



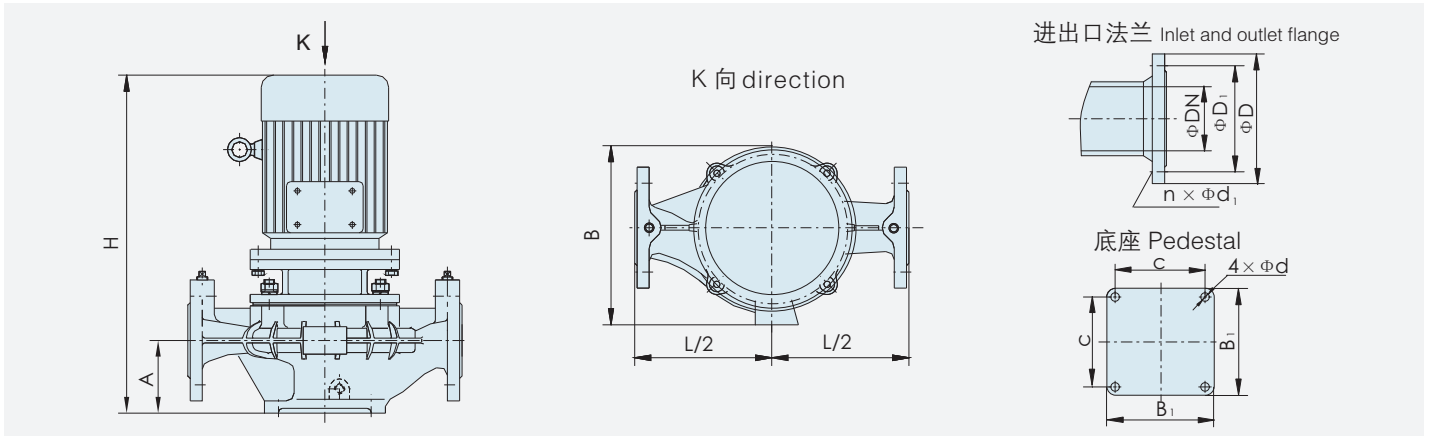
法兰尺寸 Dimension of flange(mm)

ΦDN	ΦD	ΦD_1	$n \times \Phi d_1$
$\Phi 25$	$\Phi 115$	$\Phi 85$	$4 \times \Phi 14$
$\Phi 32$	$\Phi 140$	$\Phi 100$	$4 \times \Phi 18$
$\Phi 40$	$\Phi 150$	$\Phi 110$	$4 \times \Phi 18$

DFG 性能参数表及安装尺寸表 Type DFG performance data table and dimension table

泵型号 Type	流量 (m ³ /h) Capacity	扬程 (m) Head	转速 (r/min) Speed	电机功率 (kW) Power	效率 (%) Efficiency	汽蚀余量 (m) NPSHR	总重量 (kg) Total weight	安装尺寸 Dimension(mm)					底座规格 Spec		
								L	B	H	A	B ₁	C	Φd	规格
DFG25-100/2/0.37	2.1 3.0 4.0	15 12.5 10	2900	0.37	35 42 40	2.5	25	240	275	443	75	140	105	$\Phi 12$	SD41-0.5
DFG25-125/2/0.75	2.1 3.0 4.0	21 20 18	2900	0.75	29 36 35	2.5	30	280	275	441	75	140	105	$\Phi 12$	SD41-0.5
DFG25-160/2/1.1	2.1 3.0 4.0	34 32 30	2900	1.1	24 32 33	2.5	37	320	275	443	75	140	105	$\Phi 12$	SD41-0.5
DFG25-160A/2/0.75	1.8 2.4 3.5	29 28 24	2900	0.75	23 30 31	2.5	25	320	275	443	75	140	105	$\Phi 12$	SD41-0.5
DFG32-100/2/0.55	3.3 4.5 5.8	15 12.5 10	2900	0.55	40 44 45	2.5	30	270	275	441	75	140	105	$\Phi 12$	SD41-0.5
DFG32-125/2/0.75	3.3 4.5 5.8	20.5 20 18	2900	0.75	34 38 40	2.5	35	290	275	441	75	140	105	$\Phi 12$	SD61-0.5
DFG32-125A/2/0.55	3.0 4.0 5.2	17 16 13	2900	0.55	32 36 35	2.5	30	290	275	441	75	140	105	$\Phi 12$	SD61-0.5
DFG32-160/2/1.5	3.3 4.5 5.8	34 32 30	2900	1.5	32 35 36	2.5	45	310	280	441	75	140	105	$\Phi 12$	SD61-0.5
DFG32-160A/2/1.1	3.0 4.0 5.2	29 28 26	2900	1.1	30 34 36	2.5	40	310	275	441	75	140	105	$\Phi 12$	SD61-0.5
DFG32-200/2/3	3.3 4.5 5.8	52 50 48	2900	3	30 32 31	2.5	60	430	320	540	80	140	105	$\Phi 12$	SD61-0.5
DFG32-200A/2/2.2	3.0 4.0 5.2	45 44 42.5	2900	2.2	28 30 30	2.5	55	430	305	490	80	140	105	$\Phi 12$	SD61-0.5
DFG32-200B/2/1.5	2.45 3.5 4.55	40 38 33	2900	1.5	27 29 28	2.5	50	430	305	460	80	140	105	$\Phi 12$	SD41-0.5
DFG40-100/2/0.55	4.4 6.3 8.3	13.2 12.5 11.3	2900	0.55	48 54 53	2.5	32	260	275	453	85	150	115	$\Phi 12$	SD41-0.5
DFG40-100A/2/0.37	4 5.5 7	10.6 10 9	2900	0.37	45 52 54	2.5	30	260	275	455	85	150	115	$\Phi 12$	SD41-0.5
DFG40-125/2/1.1	4.4 6.3 8.3	20.5 20 18.5	2900	1.1	40.5 46 45	2.5	40	300	275	453	85	150	115	$\Phi 12$	SD41-0.5
DFG40-125A/2/0.75	4 5.5 7	16.3 16 15.6	2900	0.75	40 44 42.5	2.5	35	300	275	453	85	150	115	$\Phi 12$	SD41-0.5

DFG 型泵安装尺寸图 Type DFG dimension figure



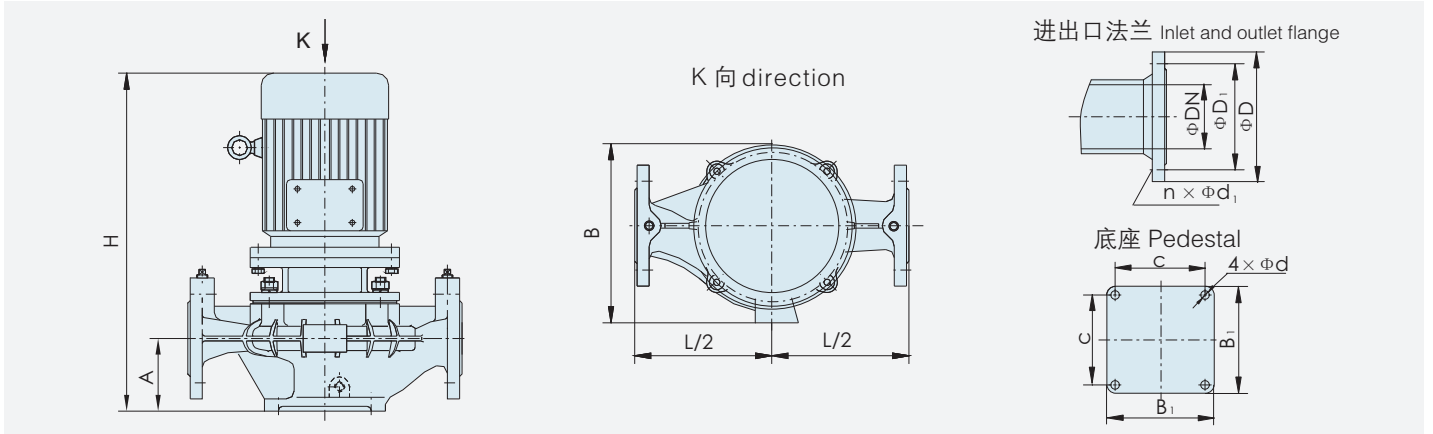
法兰尺寸 Dimension of flange(mm)

ΦDN	ΦD	ΦD_1	$n \times \Phi d_1$
$\Phi 40$	$\Phi 150$	$\Phi 110$	$4 \times \Phi 18$

DFG 性能参数表及安装尺寸表 Type DFG performance data table and mounting dimension table

泵型号 Type	流量 Capacity (m ³ /h)	扬程 Head (m)	转速 Speed (r/min)	电机功率 Power (kW)	效率 Efficiency (%)	汽蚀余量 NPSHR (m)	总重量 Total weight (kg)	安装尺寸 Mounting dimension (mm)					底座规格 Spec		
								L	B	H	A	B ₁	C	Φd	规格 Spec
DFG40-160/2/2.2	4.4 6.3 8.3	33.2 32 30.2	2900	2.2	34 40 42	2.5	50	340	280	490	90	150	115	$\Phi 12$	SD41-0.5
DFG40-160A/2/1.5	4 5.5 7	28.5 28 26.6	2900	1.5	33 38 39	2.5	45	340	280	460	90	150	115	$\Phi 12$	SD41-0.5
DFG40-160B/2/1.1	3.5 5.0 6.5	26 24 20.6	2900	1.1	31 37 38	2.5	40	340	275	460	90	150	115	$\Phi 12$	SD41-0.5
DFG40-200/2/4	4.4 6.3 8.3	50.5 50 48	2900	4	28 33 35	2.5	75	360	330	569	90	150	115	$\Phi 12$	SD61-0.5
DFG40-200A/2/3	4 5.5 7	44.6 44 42.7	2900	3	26 31 32	2.5	65	360	320	549	90	150	115	$\Phi 12$	SD61-0.5
DFG40-200B/2/2.2	3.5 5.0 6.5	40 38 34.5	2900	2.2	25 30 31	2.5	55	360	305	499	90	150	115	$\Phi 12$	SD61-0.5
DFG40-250/2/7.5	4.4 6.3 8.3	82 80 74	2900	7.5	27 27.5 28	2.5	130	450	410	627	105	165	130	$\Phi 14$	SD61-0.5
DFG40-250A/2/5.5	4 5.5 7	72.5 70 65	2900	5.5	24 26 26	2.5	110	450	410	627	105	165	130	$\Phi 14$	SD61-0.5
DFG40-250B/2/4	3.5 5.0 6.5	65 60 53	2900	4	23 25 25	2.5	80	450	355	587	105	165	130	$\Phi 14$	SD61-0.5
DFG40-100(I)/2/1.1	8.8 12.5 16.3	13.6 12.5 11.3	2900	1.1	55 52 60	2.5	35	320	275	461	95	165	130	$\Phi 14$	SD41-0.5
DFG40-100(I)A/2/0.75	8 11 14	10.7 10 9	2900	0.75	54 60 58	2.5	32	320	275	461	95	165	130	$\Phi 14$	SD41-0.5
DFG40-125(I)/2/1.5	8.8 12.5 16.3	21.5 20 17.8	2900	1.5	49 58 58	2.5	45	300	280	461	95	165	130	$\Phi 14$	SD41-0.5
DFG40-125(I)A/2/1.1	8 11 14	17 16 14.3	2900	1.1	47 56 56	2.5	40	300	275	461	95	165	130	$\Phi 14$	SD41-0.5
DFG40-160(I)/2/3	8.8 12.5 16.3	33.3 32 29.8	2900	3	45 52 53	2.5	60	320	320	565	105	165	130	$\Phi 14$	SD41-0.5
DFG40-160(I)A/2/2.2	8 11 14	29 28 26.2	2900	2.2	43 48 47	2.5	50	320	280	515	105	165	130	$\Phi 14$	SD41-0.5
DFG40-200(I)/2/5.5	8.8 12.5 16.3	51 50 48.5	2900	5.5	38 46 49	2.5	110	380	410	625	100	165	130	$\Phi 14$	SD61-0.5

DFG 型泵安装尺寸图 Type DFG dimension figure



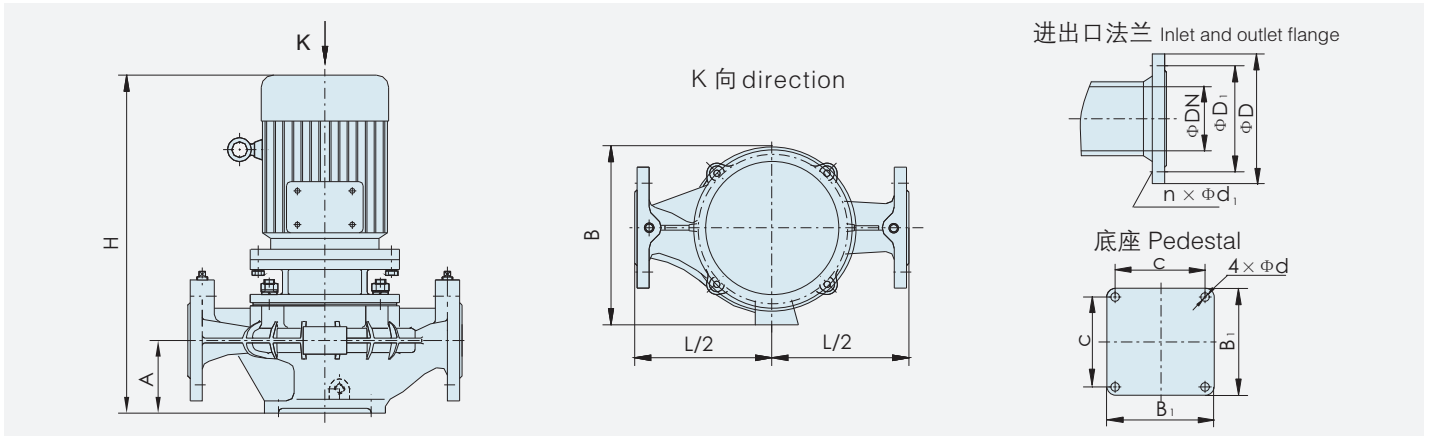
法兰尺寸 Dimension of flange(mm)

ΦDN	ΦD	ΦD_1	$n \times \Phi d_1$
$\Phi 40$	$\Phi 150$	$\Phi 110$	$4 \times \Phi 18$
$\Phi 50$	$\Phi 165$	$\Phi 125$	$4 \times \Phi 18$

DFG 性能参数表及安装尺寸表 Type DFG performance data table and mounting dimension table

泵型号 Type	流量 (m ³ /h) Capacity	扬程 (m) Head	转速 (r/min) Speed	电机功率 (kW) Power	效率 (%) Efficiency	汽蚀余量 (m) NPSHR	总重量 (kg) Total weight	安装尺寸 Mounting dimension (mm)					底座规格 Spec		
								L	B	H	A	B ₁	C	Φd	规格 Spec
DFG40-200(I)A/2/4	8 11 14	44.7 44 43	2900	4	37.5 42.5 43.5	2.5	80	380	410	585	100	165	130	$\Phi 14$	SD61-0.5
DFG40-250(I)/2/11	8.8 12.5 16.3	81.8 80 77.5	2900	11	29 36 40	2.5	180	450	445	784	105	165	130	$\Phi 14$	JG2-1
DFG40-250(I)A/2/7.5	8 11 14	71.5 70 68	2900	7.5	30 35 37	2.5	120	450	410	636	105	165	130	$\Phi 14$	JG2-1
DFG50-100/2/1.1	8.8 12.5 16.3	13.2 12.5 11.3	2900	1.1	55 62 60	2.5	40	320	275	461	95	165	130	$\Phi 14$	SD41-0.5
DFG50-100A/2/0.75	8 11 14	10.7 10 9	2900	0.75	52 57 57	2.5	35	320	275	461	95	165	130	$\Phi 14$	SD41-0.5
DFG50-125/2/1.5	8.8 12.5 16.3	21.5 20 17.8	2900	1.5	49 58 58	2.5	40	300	280	461	95	165	130	$\Phi 14$	SD41-0.5
DFG50-125A/2/1.1	8 11 14	17 16 14.3	2900	1.1	45 52 53	2.5	45	300	275	461	95	165	130	$\Phi 14$	SD41-0.5
DFG50-160/2/3	8.8 12.5 16.3	33.3 32 29.8	2900	3	45 52 53	2.5	70	320	320	565	105	165	130	$\Phi 14$	SD61-0.5
DFG50-160A/2/2.2	8 11 14	29 28 26.2	2900	2.2	45 52 53	2.5	60	320	280	515	105	165	130	$\Phi 14$	SD61-0.5
DFG50-160B/2/1.5	7.1 10 13	24 23 20.5	2900	1.5	40 47 48	2.5	50	320	280	485	105	165	130	$\Phi 14$	SD61-0.5
DFG50-200/2/5.5	8.8 12.5 16.3	51 50 48.5	2900	5.5	38 46 46	2.5	120	380	410	625	105	165	130	$\Phi 14$	SD61-0.5
DFG50-200A/2/4	8 11 14	44.7 44 43	2900	4	37 43 43	2.5	90	380	330	585	105	165	130	$\Phi 14$	SD61-0.5
DFG50-200B/2/3	7.1 10 13	39 38 35	2900	3	35 41 42	2.5	85	380	320	565	105	165	130	$\Phi 14$	SD61-0.5
DFG50-250/2/11	8.8 12.5 16.3	81.4 80 77.5	2900	11	29 36 40	2.5	190	450	445	784	105	185	150	$\Phi 14$	JG2-1
DFG50-250A/2/7.5	8 11 14	71.5 70 68	2900	7.5	29 34 37	2.5	125	450	410	636	105	185	150	$\Phi 14$	JG2-1
DFG50-250B/2/5.5	7.1 10 13	61.5 60 56	2900	5.5	29 37 37	2.5	110	450	410	636	105	185	150	$\Phi 14$	JG2-1

DFG 型泵安装尺寸图 Type DFG dimension figure



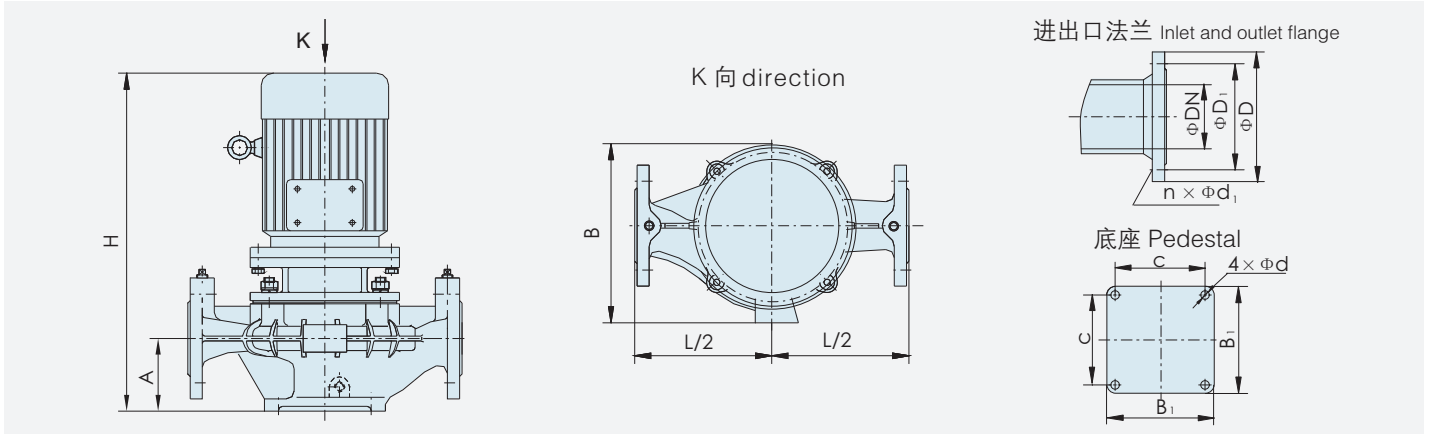
法兰尺寸 Dimension of flange(mm)

ΦDN	ΦD	ΦD_1	$n \times \Phi d_1$
$\Phi 50$	$\Phi 165$	$\Phi 125$	$4 \times \Phi 18$
$\Phi 65$	$\Phi 185$	$\Phi 145$	$4 \times \Phi 18$

DFG 性能参数表及安装尺寸表 Type DFG performance data table and mounting dimension table

泵型号 Type	流量 (m ³ /h) Capacity	扬程 (m) Head	转速 (r/min) Speed	电机功率 (kW) Power	效率 (%) Efficiency	汽蚀余量 (m) NPSHR	总重量 (kg) Total weight	安装尺寸 Mounting dimension (mm)					底座规格 Spec		
								L	B	H	A	B ₁	C	Φd	规格 Spec
DFG50-100(I)/2/1.5	17.5 25 32.5	13.5 12.5 10.5	2900	1.5	67 69 70	2.5	45	320	280	466	100	185	150	$\Phi 14$	SD41-0.5
DFG50-100(I)A/2/1.1	16 22 28	10.8 10 8.7	2900	1.1	65 68 65	2.5	40	320	275	466	100	185	150	$\Phi 14$	SD41-0.5
DFG50-125(I)/2/3	17.5 25 32.5	22 20 17	2900	3	63 64 65	2.5	55	340	320	570	100	185	150	$\Phi 14$	SD41-0.5
DFG50-125(I)A/2/2.2	16 22 28	17.5 16 13.5	2900	2.2	62 63 62	2.5	50	340	280	520	100	185	150	$\Phi 14$	SD41-0.5
DFG50-160(I)/2/4	17.5 25 32.5	34.5 32 27.5	2900	4	50 50 50	2.5	75	380	330	580	100	185	150	$\Phi 14$	SD61-0.5
DFG50-160(I)A/2/3	16 22 28	30 28 23.5	2900	3	57 59 62	2.5	65	380	320	560	100	185	150	$\Phi 14$	SD61-0.5
DFG50-160(I)B/2/3	14 20 26	26 24 20.6	2900	3	56 58 61	2.5	65	380	320	560	100	185	150	$\Phi 14$	SD61-0.5
DFG50-200(I)/2/7.5	17.5 25 32.5	52.7 50 45.5	2900	7.5	49 52 50	2.5	120	400	410	625	105	185	150	$\Phi 16$	SD61-0.5
DFG50-200(I)A/2/5.5	16 22 28	46.2 44.2 40	2900	5.5	50 55 57	2.5	110	400	410	625	105	185	150	$\Phi 16$	SD61-0.5
DFG50-200(I)B/2/5.5	14 20 26	40 38 34.5	2900	5.5	52 55 57	2.5	110	400	410	625	105	185	150	$\Phi 16$	SD61-0.5
DFG50-250(I)/2/15	17.5 25 32.5	81.8 80 76.5	2900	15	45 50 55	2.5	200	460	445	792	110	185	150	$\Phi 16$	JG2-1
DFG50-250(I)A/2/11	16 22 28	71.4 70 68	2900	11	42 50 55	2.5	190	460	445	792	110	185	150	$\Phi 16$	JG2-1
DFG50-250(I)B/2/7.5	14 20 26	61 60 56	2900	7.5	42 47 52	2.5	120	460	410	644	110	185	150	$\Phi 16$	JG2-1
DFG65-100/2/1.5	17.5 25 32.5	13.5 12.5 10	2900	1.5	67 69 70	3	50	320	280	466	100	185	150	$\Phi 14$	SD41-0.5
DFG65-100A/2/1.1	16 22 28	10.8 10 8.7	2900	1.1	65 68 65	3	50	320	275	466	100	185	150	$\Phi 14$	SD41-0.5
DFG65-125/2/3	17.5 25 32.5	22 20 17	2900	3	63 67 65	3	60	340	320	570	110	185	150	$\Phi 14$	SD61-0.5

DFG 型泵安装尺寸图 Type DFG dimension figure



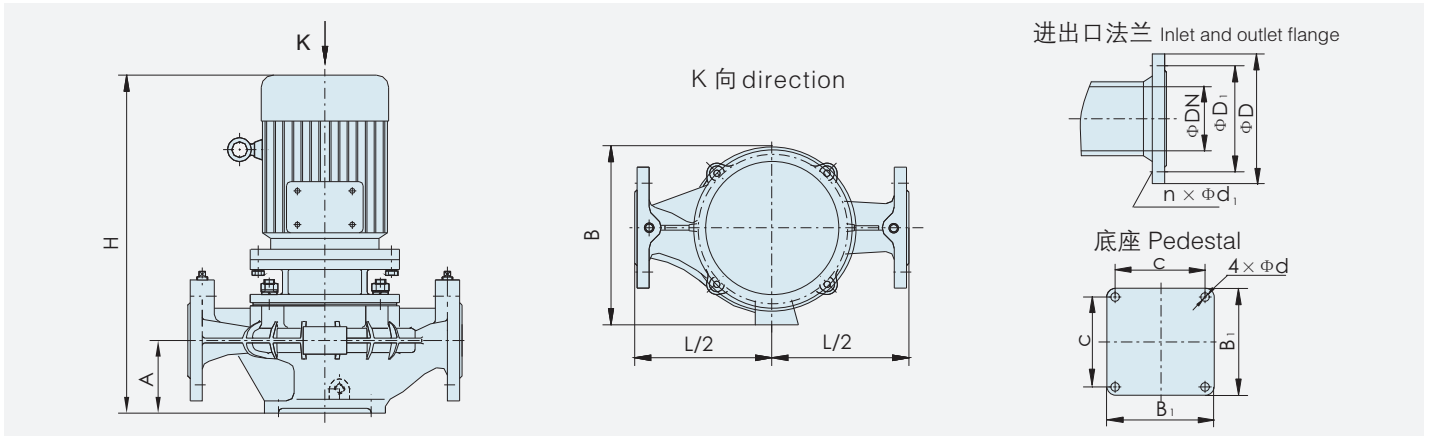
法兰尺寸 Dimension of flange(mm)

ΦDN	ΦD	ΦD_1	$n \times \Phi d_1$
$\Phi 65$	$\Phi 185$	$\Phi 145$	$4 \times \Phi 18$

DFG 性能参数表及安装尺寸表 Type DFG performance data table and mounting dimension table

泵型号 Type	流量 (m ³ /h) Capacity	扬程 (m) Head	转速 (r/min) Speed	电机功率 (kW) Power	效率 (%) Efficiency	汽蚀余量 (m) NPSHR	总重量 (kg) Total weight	安装尺寸 Mounting dimension (mm)					底座规格 Spec		
								L	B	H	A	B ₁	C	Φd	规格 Spec
DFG65-125A/2/2.2	16 22 28	17.5 16 13.5	2900	2.2	60 63 62	3	60	340	280	520	110	185	150	$\Phi 14$	SD61-0.5
DFG65-160/2/4	17.5 25 32.5	34.4 32 27.5	2900	4	55 53 53	3	85	380	330	580	100	185	150	$\Phi 14$	SD61-0.5
DFG65-160A/2/3	16 22 28	30 28 23.5	2900	3	57 59 62	3	70	380	320	560	100	185	150	$\Phi 14$	SD61-0.5
DFG65-160B/2/3	14 20 26	26 24 20.6	2900	3	56 58 61	3	70	380	320	560	100	185	150	$\Phi 14$	SD61-0.5
DFG65-200/2/7.5	17.5 25 32.5	52.7 50 45.5	2900	7.5	49 57 60	3	125	400	410	625	105	185	150	$\Phi 14$	SD61-0.5
DFG65-200A/2/5.5	16 22 28	46.2 44.2 40	2900	5.5	50 55 57	3	110	400	410	625	105	185	150	$\Phi 14$	SD61-0.5
DFG65-200B/2/5.5	14 20 26	40 38 34.5	2900	5.5	52 55 57	3	110	400	410	625	105	185	150	$\Phi 14$	SD61-0.5
DFG65-250/2/15	17.5 25 32.5	81.8 80 76.5	2900	15	45 50 55	3	220	460	445	792	110	200	165	$\Phi 16$	JG2-1
DFG65-250A/2/11	16 22 28	71.4 70 68	2900	11	42 47 51	3	190	460	445	792	110	200	165	$\Phi 16$	JG2-1
DFG65-250B/2/7.5	14 20 26	61 60 56	2900	7.5	42 47 51	3	150	460	410	644	110	200	165	$\Phi 16$	JG2-1
DFG65-315/2/30	17.5 25 32.5	130 125 118	2950	30	31 40 44	3	350	550	555	957	110	200	165	$\Phi 16$	JG2-1
DFG65-315A/2/22	16 22 28	120 110 102	2950	22	31 38 41	3	280	550	490	847	110	200	165	$\Phi 16$	JG2-1
DFG65-315B/2/18.5	14 20 26	110 100 92	2900	18.5	30 38 41	3	280	550	470	827	110	200	165	$\Phi 16$	JG2-1
DFG65-315C/2/15	12.6 18.2 23.4	90 85 78	2900	15	30 38 41	3	240	550	470	792	110	200	165	$\Phi 16$	JG2-1
DFG65-100(I)/2/3	35 50 65	13.8 12.5 10	2900	3	67 73 70	3	60	400	320	580	120	200	165	$\Phi 16$	SD61-0.5
DFG65-100(II)A/2/2.2	32 44 56	11 8.5	2900	2.2	63 72 71	3	55	400	280	530	120	200	165	$\Phi 16$	SD61-0.5
DFG65-125(II)/2/5.5	35 50 65	22 20 17	2900	5.5	67 72.5 70	3	100	400	410	647	125	200	165	$\Phi 16$	SD61-0.5
DFG65-125(II)A/2/4	32 44 56	18 16 13.5	2900	4	67 72 68	3	80	400	330	607	125	200	165	$\Phi 16$	SD61-0.5

DFG 型泵安装尺寸图 Type DFG dimension figure



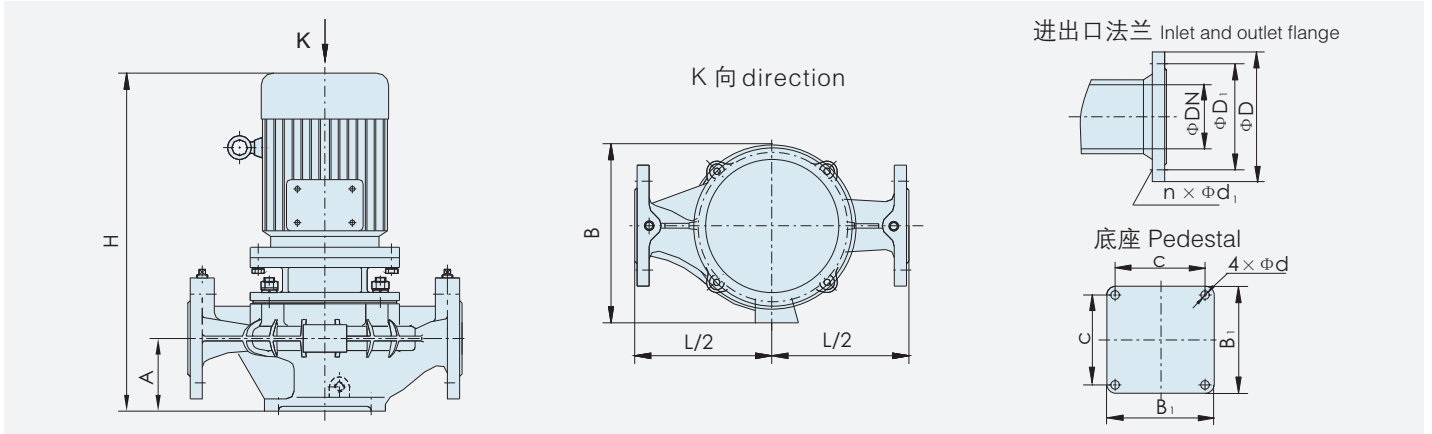
法兰尺寸 Dimension of flange(mm)

Φ DN	Φ D	Φ D ₁	$n \times \Phi$ d ₁
Φ 65	Φ 185	Φ 145	4 × Φ 18
Φ 80	Φ 200	Φ 160	8 × Φ 18

DFG 性能参数表及安装尺寸表 Type DFG performance data table and mounting dimension table

泵型号 Type	流量 Capacity (m ³ /h)	扬程 Head (m)	转速 Speed (r/min)	电机功率 Power (kW)	效率 Efficiency (%)	汽蚀余量 NPSHR (m)	总重量 Total weight (kg)	安装尺寸 Mounting dimension (mm)					底座规格 Spec		
								L	B	H	A	B ₁	C	Φ d	规格 Spec
DFG65-160(I)/2/7.5	35 50 65	35 32 27.5	2900	7.5	63 71 70	3	120	400	410	652	130	200	165	Φ 16	SD61-0.5
DFG65-160(I)A/2/5.5	32 44 56	30 28 25	2900	5.5	65 70 71	3	100	400	410	652	130	200	165	Φ 16	SD61-0.5
DFG65-160(I)B/2/4	28 40 52	27 24 19	2900	4	64 69 70	3	80	400	330	615	130	200	165	Φ 16	SD61-0.5
DFG65-200(I)/2/15	35 50 65	53 50 44	2900	15	58 67 68	3	190	450	445	812	130	200	165	Φ 18	JG2-1
DFG65-200(I)A/2/11	32 44 56	47 44 40	2900	11	57 66 58	3	160	450	445	812	130	200	165	Φ 18	JG2-1
DFG65-200(I)B/2/7.5	28 40 52	40.5 38 33	2900	7.5	56 65 67	3	120	450	410	660	130	200	165	Φ 18	JG2-1
DFG65-250(I)/2/22	35 50 65	83 80 72	2950	22	83 70 64	3	230	500	465	867	130	200	165	Φ 18	JSD-85
DFG65-250(I)A/2/18.5	32 44 56	73 70 64	2900	18.5	73 70 64	3	220	500	445	847	130	200	165	Φ 18	JSD-85
DFG65-250(I)B/2/15	28 40 52	63 60 53	2900	15	63 60 53	3	200	500	445	812	130	200	165	Φ 18	JSD-85
DFG80-100/2/3	35 50 65	13.8 12.5 10	2900	3	67 73 70	3.5	70	400	320	580	120	200	165	Φ 16	SD61-0.5
DFG80-100A/2/2.2	32 44 56	11 10 8.5	2900	2.2	67 72 70	3.5	60	400	280	530	120	200	165	Φ 16	SD61-0.5
DFG80-125/2/5.5	35 50 65	22 20 17	2900	5.5	67 72.5 70	3.5	110	400	410	647	125	200	165	Φ 16	SD61-0.5
DFG80-125A/2/4	32 44 56	18 16 13.5	2900	4	67 72 68	3.5	90	400	330	607	125	200	165	Φ 16	SD61-0.5
DFG80-160/2/7.5	35 50 65	35 32 27.5	2900	7.5	63 71 70	3.5	120	400	410	652	130	200	165	Φ 16	SD61-0.5
DFG80-160A/2/5.5	32 44 56	30 28 25	2900	5.5	65 70 70	3.5	110	400	410	652	130	200	165	Φ 16	SD61-0.5
DFG80-160B/2/4	28 40 52	27 24 19	2900	4	64 69 69	3.5	100	400	330	615	130	200	165	Φ 16	SD61-0.5
DFG80-200/2/15	35 50 65	53 50 44	2900	15	57 67 68	3.5	215	450	445	812	130	200	165	Φ 16	JG2-1

DFG 型泵安装尺寸图 Type DFG dimension figure



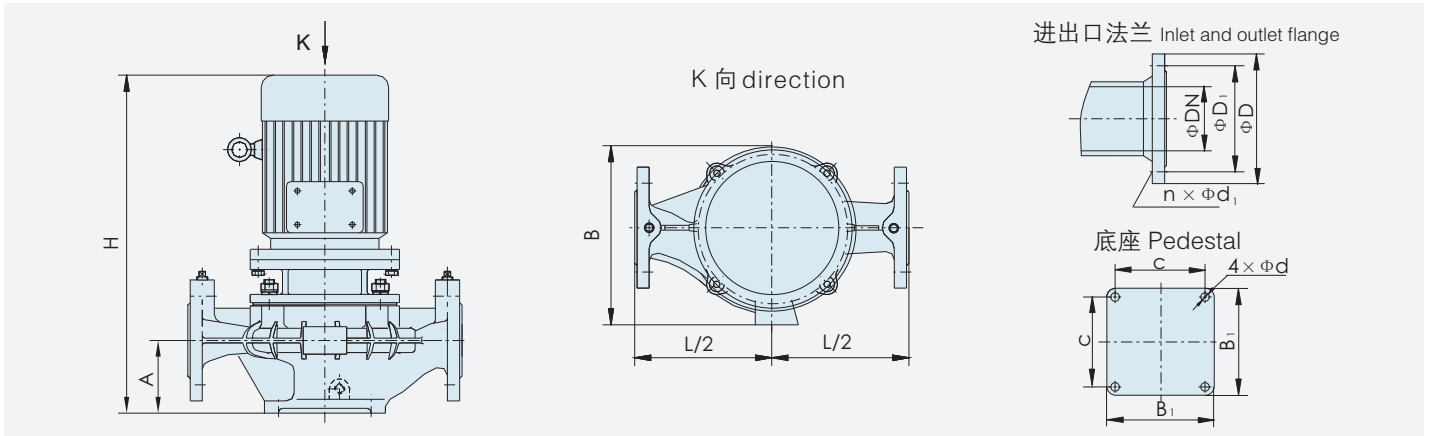
法兰尺寸 Dimension of flange(mm)

ΦDN	ΦD	ΦD_1	$n \times \Phi d_1$
$\Phi 80$	$\Phi 200$	$\Phi 160$	$8 \times \Phi 18$

DFG 性能参数表及安装尺寸表 Type DFG performance data table and mounting dimension table

泵型号 Type	流量 (m ³ /h) Capacity	扬程 (m) Head	转速 (r/min) Speed	电机功率 (kW) Power	效率 (%) Efficiency	汽蚀余量 (m) NPSHR	总重量 (kg) Total weight	安装尺寸 Mounting dimension (mm)					底座规格 Spec		
								L	B	H	A	B ₁	C	Φd	规格 Spec
DFG80-200A/2/11	32 44 56	47 44 40	2900	11	57 56 58	3.5	190	450	445	812	130	200	165	$\Phi 16$	JG2-1
DFG80-200B/2/7.5	28 40 52	40.5 38 33	2900	7.5	56 56 57	3.5	130	450	410	660	130	200	165	$\Phi 16$	JG2-1
DFG80-250/2/22	35 50 65	83 80 72	2950	22	52 50 52	3.5	280	500	465	867	130	220	185	$\Phi 18$	JG2-2
DFG80-250A/2/18.5	32 44 56	73 70 64	2900	18.5	53 52 59	3.5	245	500	445	847	130	220	185	$\Phi 18$	JG2-2
DFG80-250B/2/15	28 40 52	63 60 53	2900	15	52 56 58	3.5	210	500	445	812	130	220	185	$\Phi 18$	JG2-2
DFG80-315/2/37	35 50 65	135 125 115	2950	37	43 54 57	3.5	370	580	555	980	130	220	185	$\Phi 18$	JG2-2
DFG80-315A/2/37	32 44 56	117 110 102	2950	37	42 52 56	3.5	370	580	555	980	130	220	185	$\Phi 18$	JG2-2
DFG80-315B/2/30	28 40 52	108 100 93	2950	30	46 56 55	3.5	340	580	555	980	130	220	185	$\Phi 18$	JG2-2
DFG80-315C/2/22	25.2 36 46.8	90 85 80	2950	22	45 51 54	3.5	300	580	490	867	130	220	185	$\Phi 18$	JG2-2
DFG80-100(I)/2/5.5	70 100 130	13.4 12.5 11.3	2900	5.5	66 75 75	4.5	100	460	410	662	140	220	185	$\Phi 18$	SD61-0.5
DFG80-100(II)A/2/4	64 88 112	11 8.5	2900	4	67 75 76	4.5	80	460	330	622	140	220	185	$\Phi 18$	SD61-0.5
DFG80-125(I)/2/11	70 100 130	22.5 20 16	2900	11	70 75 75	4.5	170	440	445	822	140	220	185	$\Phi 18$	JG2-2
DFG80-125(II)A/2/7.5	64 88 112	18 13	2900	7.5	68 74 63	4.5	120	440	410	662	140	220	185	$\Phi 18$	JG2-2
DFG80-160(I)/2/15	70 100 130	35.5 32 27	2900	15	70 76 65	4.5	210	500	445	832	150	220	185	$\Phi 18$	JG2-2
DFG80-160(II)A/2/11	64 88 112	31 28 24	2900	11	68 74 70	4.5	170	500	445	832	150	220	185	$\Phi 18$	JG2-2
DFG80-160(II)B/2/7.5	56 80 104	27 24 19	2900	7.5	68 74 70	4.5	120	500	410	680	150	220	185	$\Phi 18$	JG2-2
DFG80-200(I)/2/22	70 100 130	54 50 42	2950	22	65 74 73	4.5	240	500	465	872	135	220	185	$\Phi 20$	JG2-2
DFG80-200(II)A/2/18.5	64 88 112	47 44 39	2900	18.5	65 73 73	4.5	200	500	445	852	135	220	185	$\Phi 20$	JG2-2

DFG 型泵安装尺寸图 Type DFG dimension figure



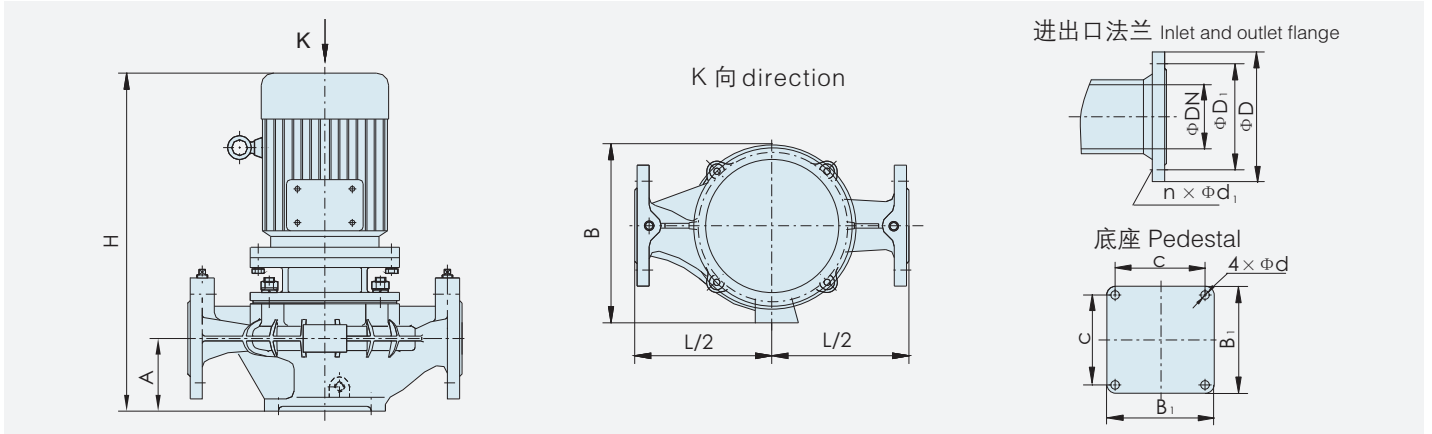
法兰尺寸 Dimension of flange(mm)

ΦDN	ΦD	ΦD_1	$n \times \Phi d_1$
$\Phi 80$	$\Phi 200$	$\Phi 160$	$8 \times \Phi 18$
$\Phi 100$	$\Phi 220$	$\Phi 180$	$8 \times \Phi 18$

DFG 性能参数表及安装尺寸表 Type DFG performance data table and mounting dimension table

泵型号 Type	流量 Capacity (m ³ /h)	扬程 Head (m)	转速 Speed (r/min)	电机功率 Power (kW)	效率 Efficiency (%)	汽蚀余量 NPSHR (m)	总重量 Total weight (kg)	安装尺寸 Mounting dimension (mm)					底座规格 Spec		
								L	B	H	A	B ₁	C	Φd	规格 Spec
DFG80-200(I)B/2/15	56 80 104	41 38 34	2900	15	64 72 72	4.5	190	500	445	820	135	220	185	$\Phi 20$	JG2-2
DFG80-250(I)2/37	70 100 130	87 80 68	2950	37	62 69 68	4.5	320	550	555	1010	160	220	185	$\Phi 20$	JG3-1
DFG80-250(I)A/2/30	64 88 112	76 70 59	2950	30	62 69 70	4.5	290	550	555	1010	160	220	185	$\Phi 20$	JG3-1
DFG80-250(I)B/2/22	56 80 104	66 60 50	2950	22	61 68 69	4.5	240	550	465	903	160	220	185	$\Phi 20$	JG3-1
DFG100-100/2/5.5	70 100 130	13.4 12.5 11.3	2900	5.5	66 76 75	4.5	130	460	410	662	140	220	185	$\Phi 18$	SD61-0.5
DFG100-100A/2/4	64 88 112	11 10 8.5	2900	4	67 75 74	4.5	100	460	330	622	140	220	185	$\Phi 18$	SD61-0.5
DFG100-125/2/11	70 100 130	22.5 20 16	2900	11	70 76 75	4.5	180	440	445	822	140	220	185	$\Phi 18$	JG2-2
DFG100-125A/2/7.5	64 88 112	18 16 13	2900	7.5	66 74 73	4.5	130	440	410	662	140	220	185	$\Phi 18$	JG2-2
DFG100-160/2/15	70 100 130	35.5 32 27	2900	15	70 76 75	4.5	215	500	445	832	150	220	185	$\Phi 18$	JG2-2
DFG100-160A/2/11	64 88 112	31 28 24	2900	11	68 74 73	4.5	200	500	445	832	150	220	185	$\Phi 18$	JG2-2
DFG100-160B/2/7.5	56 80 104	27 24 19	2900	7.5	68 74 73	4.5	140	500	410	680	150	220	185	$\Phi 18$	JG2-2
DFG100-200/2/22	70 100 130	54 50 42	2950	22	65 74 73	4.5	260	500	465	877	140	220	185	$\Phi 18$	JG2-2
DFG100-200A/2/18.5	64 88 112	47 44 39	2900	18.5	65 72.5 71	4.5	240	500	445	857	140	220	185	$\Phi 18$	JG2-2
DFG100-200B/2/15	56 80 104	41 38 34	2900	15	65 72 73	4.5	200	500	445	822	140	220	185	$\Phi 18$	JG2-2
DFG100-250/2/37	70 100 130	87 80 68	2950	37	62 69 68	4.5	370	550	555	1010	160	250	210	$\Phi 20$	JG3-1
DFG100-250A/2/30	64 88 112	76 70 59	2950	30	62 69 68	4.5	340	550	555	1010	160	250	210	$\Phi 20$	JG3-1
DFG100-250B/2/22	56 80 104	66 60 50	2950	22	61 68 69	4.5	280	550	465	903	160	250	210	$\Phi 20$	JG3-1

DFG 型泵安装尺寸图 Type DFG dimension figure



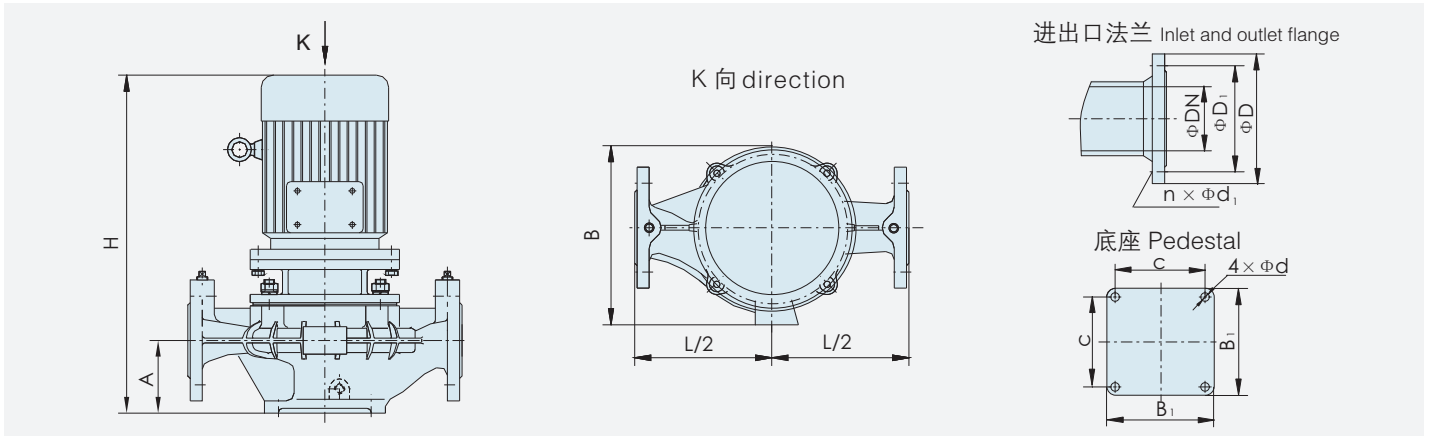
法兰尺寸 Dimension of flange(mm)

ΦDN	ΦD	ΦD_1	$n \times \Phi d_1$
$\Phi 100$	$\Phi 220$	$\Phi 180$	$8 \times \Phi 18$
$\Phi 125$	$\Phi 250$	$\Phi 210$	$8 \times \Phi 18$

DFG 性能参数表及安装尺寸表 Type DFG performance data table and mounting dimension table

泵型号 Type	流量 Capacity (m ³ /h)	扬程 Head (m)	转速 Speed (r/min)	电机功率 Power (kW)	效率 Efficiency (%)	汽蚀余量 NPSHR (m)	总重量 Total weight (kg)	安装尺寸 Mounting dimension (mm)					底座规格 Spec		
								L	B	H	A	B ₁	C	Φd	规格 Spec
DFG100-315/2/75	70 100 130	135 125 113	2980	75	55 66 69	4.5	680	630	745	1232	160	250	210	$\Phi 20$	JG3-1
DFG100-315A/2/55	64 88 112	120 110 100	2950	55	55 65 66	4.5	570	630	730	1232	160	250	210	$\Phi 20$	JG3-1
DFG100-315B/2/45	56 80 104	105 100 95	2950	45	54 64 65	4.5	460	630	595	1081	160	250	210	$\Phi 20$	JG3-1
DFG100-315C/2/37	50 72 93.6	90 85 80	2950	37	53 63 64	4.5	380	630	555	1008	160	250	210	$\Phi 20$	JG3-1
DFG125-125/2/15	110 160 200	20 17	2900	15	71 75	4	235	600	445	842	160	260	220	$\Phi 20$	JG2-2
DFG125-125A/2/11	105 150 187	18 16 13	2900	11	66 74 73	4	225	600	445	842	160	260	220	$\Phi 20$	JG2-2
DFG125-160/2/22	110 160 200	36.5 32 26	2950	22	71 75 76	4	280	600	465	897	160	260	220	$\Phi 20$	JG2-2
DFG125-160A/2/18.5	105 150 187	31 28 24	2900	18.5	67 73 74	4	240	600	445	877	160	260	220	$\Phi 20$	JG2-2
DFG125-160B/2/15	97 140 178	27 24 19	2900	15	64 70 71	4	230	600	445	842	160	260	220	$\Phi 20$	JG2-2
DFG125-200/2/37	110 160 200	54 50 42	2950	37	72 77 78	4	380	630	555	988	145	260	220	$\Phi 20$	JG3-1
DFG125-200A/2/30	105 150 187	47 44 39	2950	30	68 75 76	4	350	630	555	988	145	260	220	$\Phi 20$	JG3-1
DFG125-200B/2/22	97 140 178	41 38 33	2950	22	67 72 73	4	300	630	465	881	145	260	220	$\Phi 20$	JG3-1
DFG125-250/2/55	110 160 200	87 80 68	2950	55	70 77	4	510	660	730	1224	160	260	220	$\Phi 20$	JG3-2
DFG125-250A/2/45	105 150 187	76 70 59	2950	45	67 73 74	4	450	660	595	1084	160	260	220	$\Phi 20$	JG3-2
DFG125-250B/2/37	97 140 178	66 60 50	2950	37	66 72 74	4	400	660	555	1011	160	260	220	$\Phi 20$	JG3-2
DFG125-315/2/90	110 160 200	135 125 113	2950	90	69 73 74	4	720	750	665	1344	190	260	220	$\Phi 20$	JG3-2
DFG125-315A/2/75	105 150 187	120 110 104	2980	75	68 72 73	4	680	750	665	1279	190	260	220	$\Phi 20$	JG3-2
DFG125-315B/2/75	97 140 178	105 100 97	2980	75	67 71 72	4	680	750	665	1279	190	260	220	$\Phi 20$	JG3-2

DFG 型泵安装尺寸图 Type DFG dimension figure

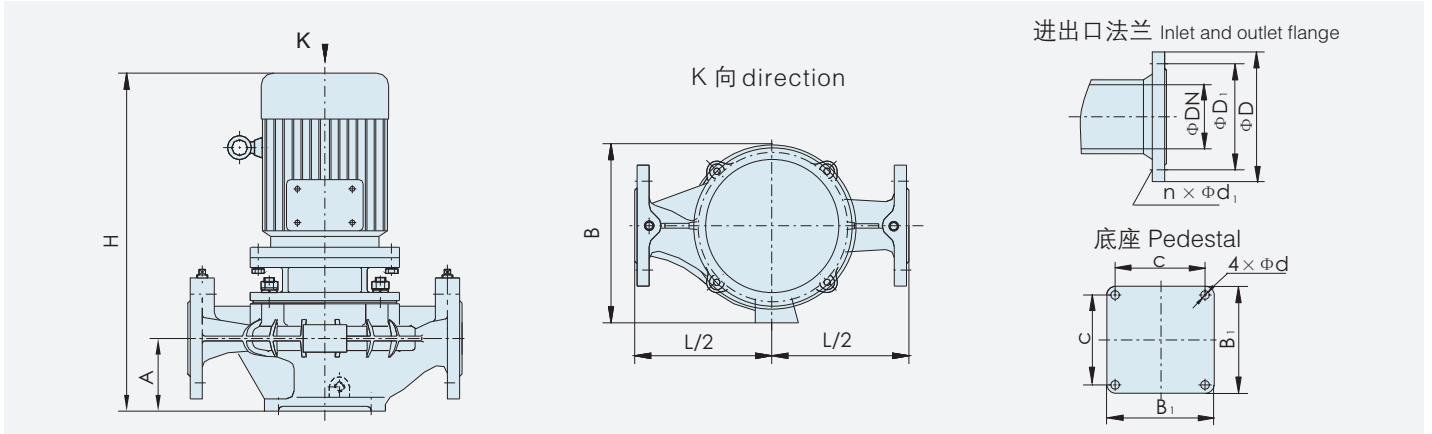


法兰尺寸 Dimension of flange(mm)			
ΦDN	ΦD	ΦD_1	$n \times \Phi d_1$
$\Phi 150$	$\Phi 285$	$\Phi 240$	$8 \times \Phi 22$

DFG 性能参数表及安装尺寸表 Type DFG performance data table and mounting dimension table

泵型号 Type	流量 Capacity (m ³ /h)	扬程 Head (m)	转速 Speed (r/min)	电机功率 Power (kW)	效率 Efficiency (%)	汽蚀余量 NPSHR (m)	总重量 Total weight (kg)	安装尺寸 Mounting dimension (mm)					底座规格 Spec		
								L	B	H	A	B ₁	C	Φd	规格 Spec
DFG150-125/2/15	110 160 200	22 20 17	2900	15	71 76 75	4	270	600	445	842	160	260	220	$\Phi 20$	JG2-2
DFG150-125A/2/11	105 150 187	18 16 13	2900	11	66 74 73	4	230	600	445	842	160	260	220	$\Phi 20$	JG2-2
DFG150-160/2/22	110 160 200	36.5 32 26	2950	22	71 75 76	4	290	600	465	897	160	260	220	$\Phi 20$	JG2-2
DFG150-160A/2/18.5	105 150 187	31 28 24	2900	18.5	67 73 74	4	250	600	445	877	160	260	220	$\Phi 20$	JG2-2
DFG150-160B/2/15	97 140 176	27 24 19	2900	15	64 70 71	4	230	600	445	842	160	260	220	$\Phi 20$	JG2-2
DFG150-200/2/37	110 160 200	54 50 42	2950	37	72 77 78	4	380	630	555	988	145	260	220	$\Phi 20$	JG3-1
DFG150-200A/2/30	105 150 187	47 44 39	2950	30	68 75 76	4	350	630	555	988	145	260	220	$\Phi 20$	JG3-1
DFG150-200B/2/22	97 140 176	41 38 33	2950	22	67 72 73	4	300	630	465	881	145	260	220	$\Phi 20$	JG3-1
DFG150-250/2/55	110 160 200	87 80 68	2950	55	70 75 77	4	570	660	730	1224	160	260	220	$\Phi 20$	JG3-2
DFG150-250A/2/45	105 150 187	76 70 59	2950	45	67 73 74	4	460	660	595	1084	160	260	220	$\Phi 20$	JG3-2
DFG150-250B/2/37	97 140 176	66 60 50	2950	37	66 72 74	4	420	660	555	1011	160	260	220	$\Phi 20$	JG3-2
DFG150-315/2/90	110 160 200	135 125 113	2980	90	69 73 74	4	750	750	665	1344	190	260	220	$\Phi 20$	JG3-2
DFG150-315A/2/75	105 150 187	120 110 104	2980	75	68 72 73	4	710	750	665	1279	190	260	220	$\Phi 20$	JG3-2
DFG150-315B/2/75	97 140 176	105 100 97	2980	75	67 71 72	4	710	750	665	1279	190	260	220	$\Phi 20$	JG3-2
DFG150-315C/2/55	80.5 134 167	96 86 85	2950	55	66 70 71	4	600	750	660	1207	190	260	220	$\Phi 20$	JG3-2

DFG 型泵安装尺寸图 Type DFG dimension figure



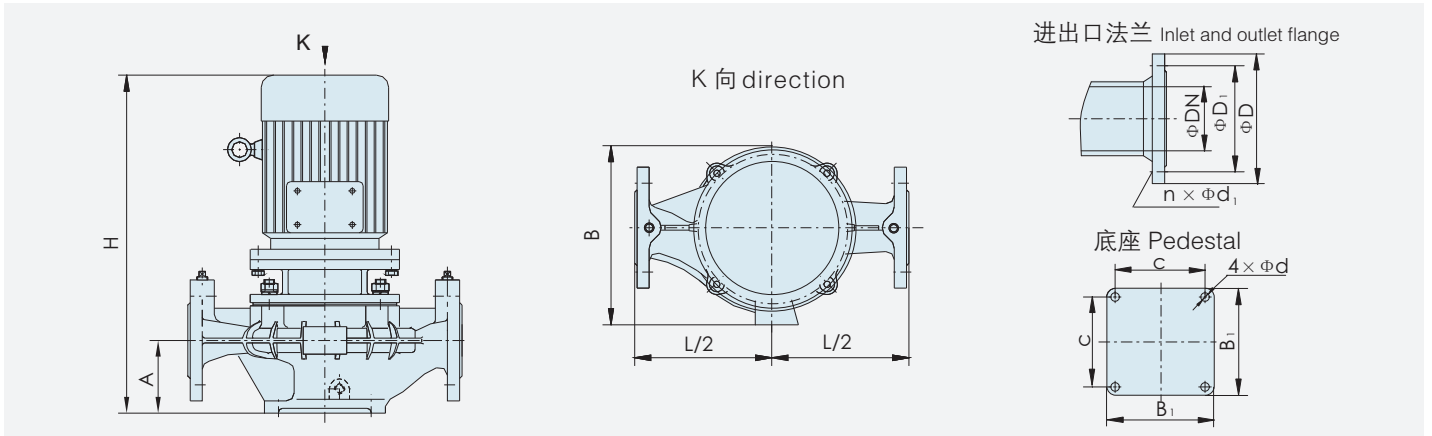
法兰尺寸 Dimension of flange(mm)

Φ DN	Φ D	Φ D ₁	n × Φ d ₁
Φ 40	Φ 150	Φ 110	4 × Φ 18
Φ 50	Φ 165	Φ 125	4 × Φ 18
Φ 65	Φ 185	Φ 145	4 × Φ 18

DFG 性能参数表及安装尺寸表 Type DFG performance data table and mounting dimension table

泵型号 Type	流量 (m ³ /h) Capacity	扬程 (m) Head	转速 (r/min) Speed	电机功率 (kW) Power	效率 (%) Efficiency	汽蚀余量 (m) NPSHR	总重量 (kg) Total weight	安装尺寸 Mounting dimension (mm)					底座规格 Spec		
								L	B	H	A	B ₁	C	Φ d	规格 Spec
DFG40-200/4/0.75	3.8	13.5	1450	0.75	34	2.0	70	380	285	487	100	165	130	Φ14	JG2-1
DFG40-200A/4/0.55	3.8	11.3	1450	0.55	42	2.0	60	380	285	487	100	165	130	Φ14	JG2-1
DFG40-250/4/1.5	5.8	21.5	1450	1.5	33	2.0	85	450	307	530	105	165	130	Φ14	JG2-1
DFG40-250A/4/1.1	5.8	18.9	1450	1.1	32	2.0	80	450	307	505	105	165	130	Φ14	JG2-1
DFG40-315/4/3	8.8	34	1450	3	15	2.0	135	520	383	592	110	165	130	Φ14	JG2-1
DFG40-315A/4/3	8.8	30	1450	3	23.5	2.0	130	520	383	592	110	165	130	Φ14	JG2-1
DFG40-315B/4/2.2	8.8	26.4	1450	2.2	14.5	2.0	125	520	383	592	110	165	130	Φ14	JG2-1
DFG50-200/4/1.1	7.5	13.5	1450	1.1	21.5	2.0	80	400	290	503	105	185	150	Φ16	JG2-1
DFG50-200A/4/0.75	7.5	11.6	1450	0.75	43	2.0	70	400	285	485	105	185	150	Φ16	JG2-1
DFG50-250/4/2.2	11.4	21.5	1450	2.2	56.5	2.0	100	460	328	594	110	185	150	Φ16	JG2-1
DFG50-250A/4/1.5	11.4	18.5	1450	1.5	48	2.0	85	460	309	538	110	185	150	Φ16	JG2-1
DFG50-315/4/4	15	33	1450	4	35	2.0	180	550	379	615	110	185	150	Φ16	JG2-1
DFG50-315A/4/3	15	31	1450	3	28	2.0	165	550	379	595	110	185	150	Φ16	JG2-1
DFG50-315B/4/2.2	15	28.4	1450	2.2	36.6	2.0	160	550	379	595	110	185	150	Φ16	JG2-1
DFG50-400/4/7.5	22.4	53	1450	7.5	40.4	2.0	180	630	414	724	110	185	150	Φ16	JG2-2
DFG50-400A/4/7.5	22.4	46.5	1450	7.5	18	2.0	180	630	414	724	110	185	150	Φ16	JG2-1
DFG50-400B/4/5.5	22.4	44	1450	5.5	27	2.0	180	630	414	689	110	185	150	Φ16	JG2-1
DFG50-400C/4/4	22.4	39	1450	4	17	2.0	170	630	414	614	110	185	150	Φ16	JG2-1
DFG65-200/4/1.5	15	13.5	1450	1.5	25	2.0	100	450	287.5	558	130	200	165	Φ18	JG2-1
DFG65-200A/4/1.1	15	11	1450	1.1	66	2.5	90	450	287.5	533	130	200	165	Φ18	JG2-1
DFG65-250/4/3	22.4	21.9	1450	3	50.5	2.5	120	500	334	614	130	200	165	Φ18	JG2-1

■ DFG 型泵安装尺寸图 Type DFG dimension figure



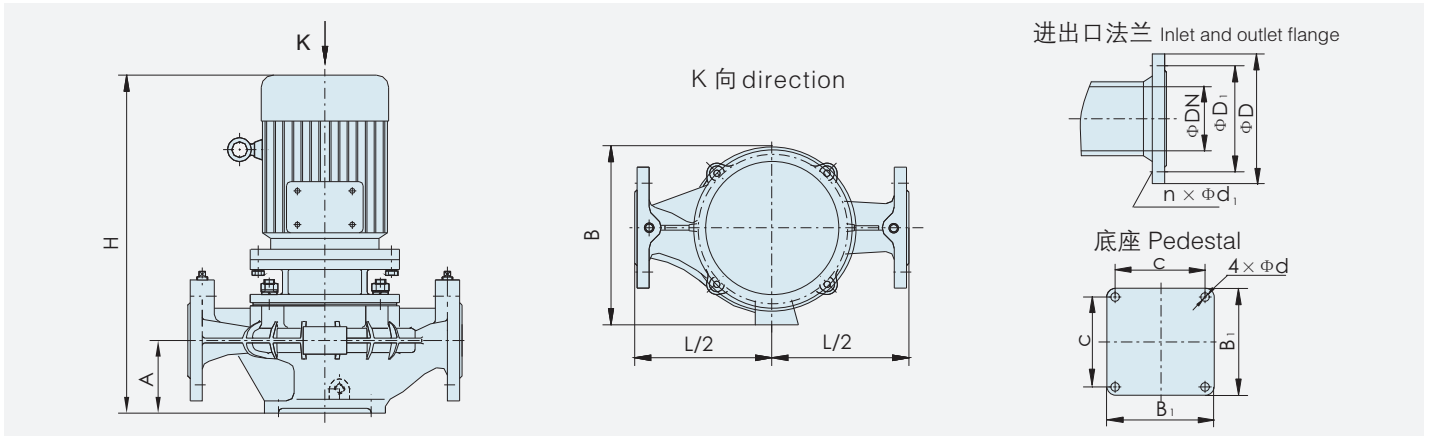
法兰尺寸 Dimension of flange(mm)

ΦDN	ΦD	ΦD_1	$n \times \Phi d_1$
$\Phi 65$	$\Phi 185$	$\Phi 145$	$4 \times \Phi 18$
$\Phi 80$	$\Phi 200$	$\Phi 160$	$8 \times \Phi 18$

■ DFG 性能参数表及安装尺寸表 Type DFG performance data table and mounting dimension table

泵型号 Type	流量 (m ³ /h) Capacity	扬程 (m) Head	转速 (r/min) Speed	电机功率 (kW) Power	效率 (%) Efficiency	汽蚀余量 (m) NPSHR	总重量 (kg) Total weight	安装尺寸 Mounting dimension (mm)					底座规格 Spec		
								L	B	H	A	B ₁	C	Φd	规格 Spec
DFG65-250A/4/2.2	13.7 22.8 27.3	18.5 17.5 15.9	1450	2.2	48.5 58.5 59.5	2.5	110	500	334	614	130	200	165	$\Phi 18$	JG2-1
DFG65-315/4/5.5	15 25 30	34 30 30	1450	5.5	39 52 56	2.5	180	580	397.5	744	130	200	165	$\Phi 18$	JG2-2
DFG65-315A/4/4	13.7 22.8 27.3	29.2 27.5 25.8	1450	4	39 51.5 55	2.5	160	580	390	634	130	200	165	$\Phi 18$	JG2-1
DFG65-315B/4/3	12.5 20.7 24.8	25.1 23.7 22.2	1450	3	39 51 54	2.5	150	580	390	614	130	200	165	$\Phi 18$	JG2-1
DFG65-400/4/11	15 25 30	52 50 48	1480	11	42 54.5 56.5	2.5	240	630	475	824	130	200	165	$\Phi 18$	JG2-2
DFG65-400A/4/7.5	13.7 22.8 27.3	45 43.5 42	1450	7.5	33 44 45	2.5	190	630	453	744	130	200	165	$\Phi 18$	JG2-2
DFG65-400B/4/7.5	12.4 20.7 24.8	38.5 38 36.5	1450	7.5	31 42 43	2.5	190	630	453	744	130	200	165	$\Phi 18$	JG2-2
DFG65-400C/4/5.5	12.6 18 23.4	33 30 28	1450	5.5	31 42 43	2.5	190	630	453	709	130	200	165	$\Phi 18$	JG2-2
DFG80-200/4/3	30 46 60	13.5 12.5 11	1450	3	60 73 74	2.5	127	500	328	624	135	220	185	$\Phi 18$	JG2-2
DFG80-200A/4/2.2	27.6 46 55.2	12 10.8 9.5	1450	2.2	59 72 73	2.5	124	500	328	624	135	220	185	$\Phi 18$	JG2-2
DFG80-250/4/5.5	30 50 60	22 20 18	1450	5.5	55 68 70	2.5	170	550	376	740	160	220	185	$\Phi 20$	JG2-2
DFG80-250A/4/4	27.6 46 55.2	19 17.2 15.5	1450	4	53 65 67	2.5	140	550	356	665	160	220	185	$\Phi 20$	JG2-2
DFG80-315/4/11	30 50 60	34 32 29	1480	11	51 63 64	2.5	250	630	442.5	853	160	220	185	$\Phi 20$	JG2-2
DFG80-315A/4/7.5	27.6 46 55.2	30 27.8 25.2	1450	7.5	50 62 63	2.5	220	630	398	773	160	220	185	$\Phi 20$	JG2-2
DFG80-315B/4/5.5	25.4 42.3 50.8	25.7 24.2 22	1450	5.5	49 61 62	2.5	210	630	398	738	160	220	185	$\Phi 20$	JG2-2
DFG80-400/4/15	30 50 60	53 50 48	1480	15	47 57 58	2.5	300	750	490	867	135	220	185	$\Phi 20$	JG2-2
DFG80-400A/4/11	27.6 46 55.2	46 43.5 40	1480	11	46 56 57	2.5	280	750	490	822	135	220	185	$\Phi 20$	JG2-2
DFG80-400B/4/11	25.4 42.3 50.8	40 38 35	1480	11	45 55 56	2.5	280	750	490	822	135	220	185	$\Phi 20$	JG2-2
DFG80-400C/4/7.5	23 38.5 46.8	33 30 28	1450	7.5	45 56 56	2.5	230	750	483	742	135	220	185	$\Phi 20$	JG2-2

DFG 型泵安装尺寸图 Type DFG dimension figure



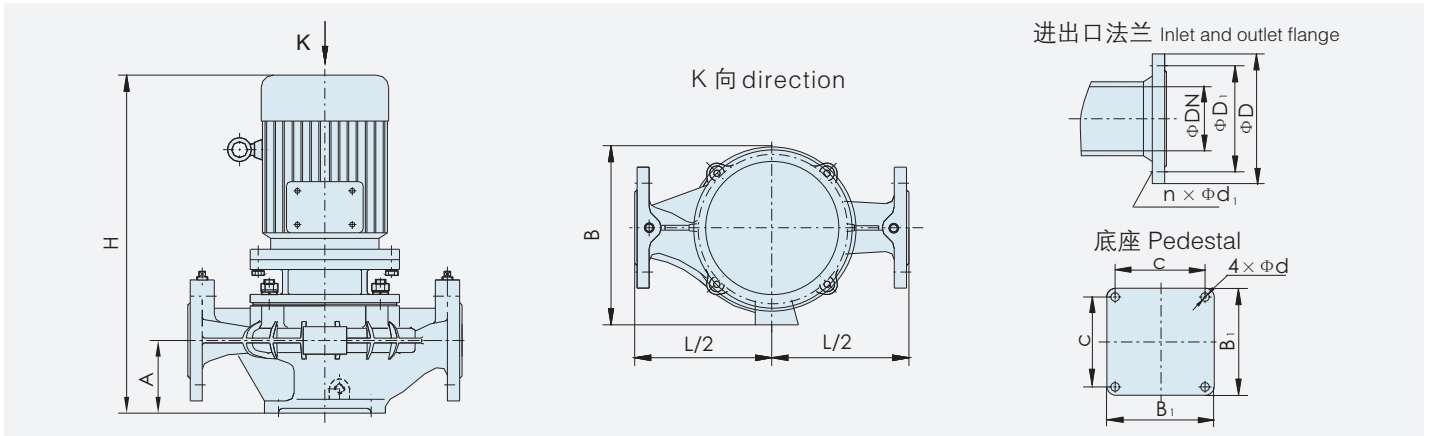
法兰尺寸 Dimension of flange(mm)

ΦDN	ΦD	ΦD_1	$n \times \Phi d_1$
$\Phi 80$	$\Phi 200$	$\Phi 160$	$8 \times \Phi 18$
$\Phi 100$	$\Phi 220$	$\Phi 180$	$8 \times \Phi 18$
$\Phi 125$	$\Phi 250$	$\Phi 210$	$8 \times \Phi 18$

DFG 性能参数表及安装尺寸表 Type DFG performance data table and mounting dimension table

泵型号 Type	流量 (m ³ /h) Capacity	扬程 (m) Head	转速 (r/min) Speed	电机功率 (kW) Power	效率 (%) Efficiency	汽蚀余量 (m) NPSHR	总重量 (kg) Total weight	安装尺寸 Mounting dimension (mm)						规格 Spec	
								L	B	H	A	B ₁	C	Φd	规格 Spec
DFG80-500/4/30	30 27.6 25.4	84 75 66.5	1480	30	37 48 45.3	2.5	460	850	586	1010	135	250	210	$\Phi 20$	JG3-1
DFG80-500A/4/30	46 55.2	75 67	1480	30	46.8 45.3	2.5	460	850	586	1010	135	250	210	$\Phi 20$	JG3-1
DFG80-500B/4/22	25.4 30.3	66.5 59.5	1480	22	35 44 45.6	2.5	420	850	567	943	135	250	210	$\Phi 20$	JG3-1
DFG80-500C/4/18.5	23 38.5 46.8	59 52	1480	18.5	35 44 45.6	2.5	400	850	567	908	135	250	210	$\Phi 20$	JG3-1
DFG100-200/4/5.5	70 100 120	13.5 11	1450	5.5	65 78 79	3	180	600	377	728	150	250	210	$\Phi 20$	JG2-2
DFG100-200A/4/4	63.5 91.5 109	12 10.8 9.5	1450	4	64 74 73	3	160	600	371	653	150	250	210	$\Phi 20$	JG2-2
DFG100-250/4/11	70 100 120	22 18	1480	11	66 77 79	3	240	630	427	852	160	250	210	$\Phi 20$	JG2-2
DFG100-250A/4/7.5	63.5 91 109	19.8 18 16.2	1450	7.5	65 75 76	3	190	630	382	772	160	250	210	$\Phi 20$	JG2-2
DFG100-315/4/15	70 100 120	34 29	1480	15	61 73 74	3	270	660	443	898	160	250	210	$\Phi 20$	JG3-1
DFG100-315A/4/11	63.5 91 109	30 25.5	1480	11	60 71.5 72.3	3	250	660	443	853	160	250	210	$\Phi 20$	JG2-1
DFG100-315B/4/11	58 83 99.5	26.5 22.5	1480	11	58 69.5 70.3	3	250	660	443	853	160	250	210	$\Phi 20$	JG2-1
DFG100-400/4/22	70 100 120	53 46	1480	22	58 68 68	3	380	760	525	951	150	250	210	$\Phi 20$	JG3-1
DFG100-400A/4/22	63.5 91 109	46.5 44 40.5	1480	22	57 65 66.8	3	380	760	525	951	150	250	210	$\Phi 20$	JG3-1
DFG100-400B/4/18.5	58 83 99.5	41 38.5 35.5	1480	18.5	57 64.4 66.2	3	370	760	525	916	150	250	210	$\Phi 20$	JG3-1
DFG100-400C/4/15	66 90 120	33 28	1480	15	57 64 66	3	330	760	502	888	150	250	210	$\Phi 20$	JG3-1
DFG100-500/4/45	70 100 120	84 80	1480	45	51 60 60	3	560	850	647	1108	150	250	210	$\Phi 20$	JG3-1
DFG100-500A/4/37	63.5 91 109	75 71	1480	37	50 59	3	510	850	647	1083	150	250	210	$\Phi 20$	JG3-1
DFG100-500B/4/30	58 83 99.5	66.5 59.5	1480	30	49 58 58	3	460	850	632	1023	150	250	210	$\Phi 20$	JG3-1
DFG100-500C/4/30	66 90 120	59 52	1480	30	49 58 58	3	460	850	632	1023	150	250	210	$\Phi 20$	JG3-1
DFG125-200/4/11	112 160 192	13.5 11	1480	11	70 77	3.5	280	720	430	862	160	260	220	$\Phi 20$	JG2-2

DFG 型泵安装尺寸图 Type DFG dimension figure



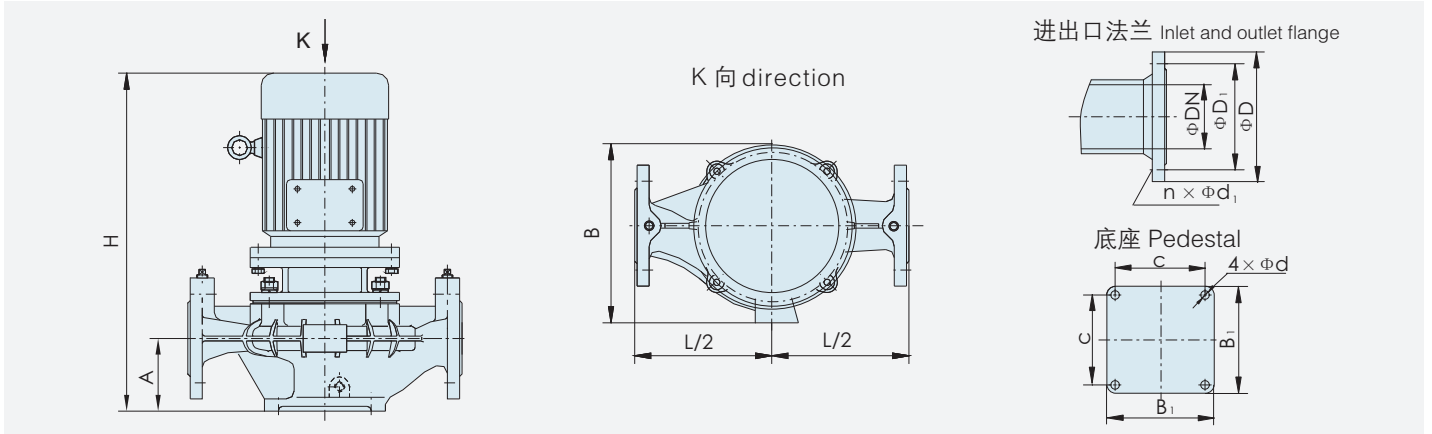
法兰尺寸 Dimension of flange(mm)

ΦDN	ΦD	ΦD_1	$n \times \Phi d_1$
$\Phi 125$	$\Phi 250$	$\Phi 210$	$8 \times \Phi 18$
$\Phi 150$	$\Phi 285$	$\Phi 240$	$8 \times \Phi 22$

DFG 性能参数表及安装尺寸表 Type DFG performance data table and mounting dimension table

泵型号 Type	流量 Capacity (m ³ /h)	扬程 Head (m)	转速 Speed (r/min)	电机功率 Power (kW)	效率 Efficiency (%)	汽蚀余量 NPSHR (m)	总重量 Total weight (kg)	安装尺寸 Mounting dimension (mm)					底座规格 Spec		
								L	B	H	A	B ₁	C	Φd	规格 Spec
DFG125-200A/4/7.5	104 149 178	12 11 9.5	1450	7.5	69.5 78.5 76.3	3.5	180	720	398	782	160	260	220	$\Phi 20$	JG2-2
DFG125-250/4/15	112 160 192	22 20 18	1480	15	71 78 76	3.5	300	760	451	901	160	260	220	$\Phi 20$	JG3-1
DFG125-250A/4/11	104 149 178	19 17 15.5	1480	11	70 77 75	3.5	280	760	451	856	160	260	220	$\Phi 20$	JG3-1
DFG125-315/4/22	112 160 192	33.5 30 30	1480	22	69 74 74	3.5	360	760	500	964	160	260	220	$\Phi 20$	JG3-1
DFG125-315A/4/22	104 149 178	31 29 27	1480	22	68 73 73	3.5	370	760	500	964	160	260	220	$\Phi 20$	JG3-1
DFG125-315B/4/18.5	97 138.5 166	27.5 26 24.5	1480	18.5	68 72 72	3.5	350	760	500	929	160	260	220	$\Phi 20$	JG3-1
DFG125-400/4/37	112 160 192	52 50 46.5	1480	37	65 69 69	3.5	520	800	590	1108	180	260	220	$\Phi 20$	JG3-1
DFG125-400A/4/37	104 149 178	47 45 42.5	1480	37	64 70 68	3.5	520	800	590	1108	180	260	220	$\Phi 20$	JG3-1
DFG125-400B/4/30	97 138.5 166	42 40.5 38	1480	30	63 67 67	3.5	470	800	555	1048	180	260	220	$\Phi 20$	JG3-1
DFG125-400C/4/22	90 129 154	33 31 28	1480	22	63 67 67	3.5	420	800	530	981	180	260	220	$\Phi 20$	JG3-1
DFG125-500/4/75	112 160 192	83 80 75	1480	75	61 66 65.5	3.5	830	850	683	1272	180	260	220	$\Phi 20$	JG3-2
DFG125-500A/4/55	104 149 178	73 70.5 66	1480	55	60 65 64	3.5	670	850	678	1197	180	260	220	$\Phi 20$	JG3-2
DFG125-500B/4/45	97 138.5 166	64.5 58 58	1480	45	58 63 62	3.5	570	850	638	1137	180	260	220	$\Phi 20$	JG3-2
DFG125-500C/4/37	90 129 154	59 56 52	1480	37	58 63 62	3.5	520	850	638	1112	180	260	220	$\Phi 20$	JG3-2
DFG150-200/4/11	140 200 240	13.5 12.5 10.3	1480	11	71 79 81	4.5	280	700	435	887	195	280	240	$\Phi 20$	JG2-2
DFG150-200A/4/7.5	127 182 218	11.7 10.6 9	1450	7.5	66 72 76	4.5	210	700	422	807	195	280	240	$\Phi 20$	JG2-2
DFG150-250/4/18.5	140 200 240	22 20 17	1480	18.5	74 80 77	4.5	350	720	477	972	200	280	240	$\Phi 20$	JG3-1
DFG150-250A/4/15	127 182 218	19.8 18 15.3	1480	15	72 78 75	4.5	320	720	447	944	200	280	240	$\Phi 20$	JG3-1
DFG150-315/4/30	140 200 240	33.8 30 28.5	1480	30	72 76 79	4.5	450	800	539	1077	200	280	240	$\Phi 20$	JG3-1

DFG 型泵安装尺寸图 Type DFG dimension figure



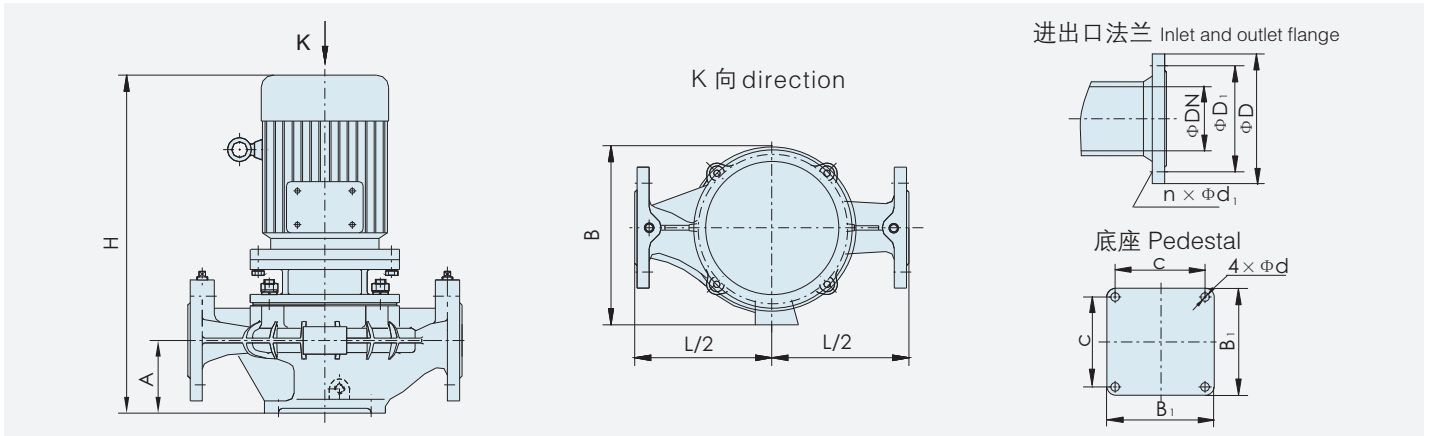
法兰尺寸 Dimension of flange(mm)

ΦDN	ΦD	ΦD_1	$n \times \Phi d_1$
$\Phi 150$	$\Phi 285$	$\Phi 240$	$12 \times \Phi 22$
$\Phi 200$	$\Phi 340$	$\Phi 295$	$12 \times \Phi 22$

DFG 性能参数表及安装尺寸表 Type DFG performance data table and mounting dimension table

泵型号 Type	流量 Capacity (m ³ /h)	扬程 Head (m)	转速 Speed (r/min)	电机功率 Power (kW)	效率 Efficiency (%)	汽蚀余量 NPSHR (m)	总重量 Total weight (kg)	安装尺寸 Mounting dimension (mm)					规格规格 Spec		
								L	B	H	A	B ₁	C	Φd	规格 Spec
DFG150-315A/4/22	127 182 218	30.4 28.8 25.5	1480	22	71 78.5	4.5	420	800	514	1010	200	280	240	$\Phi 20$	JG3-1
DFG150-315B/4/18.5	116 166 199	27.4 25.9 23	1480	18.5	70 77.5	4.5	410	800	514	975	200	280	240	$\Phi 20$	JG3-1
DFG150-400/4/45	140 200 240	53 50 46	1480	45	67 75 73	4.5	570	840	588	1168	215	280	240	$\Phi 20$	JG3-1
DFG150-400A/4/37	127 182 218	47 44.5 41	1480	37	66 74 72	4.5	550	840	588	1143	215	280	240	$\Phi 20$	JG3-2
DFG150-400B/4/30	116 166 199	42 39.5 36.5	1480	30	65 71 71	4.5	460	840	553	1083	215	280	240	$\Phi 20$	JG3-2
DFG150-400C/4/30	106 151 178	33 31 28	1480	30	65 71 71	4.5	460	840	553	1083	215	280	240	$\Phi 20$	JG3-2
DFG150-500/4/90	140 200 240	83 80 75	1480	90	61 69 67	4.5	1150	900	694	1364	215	280	240	$\Phi 20$	JG3-2
DFG150-500A/4/75	127 182 218	73 70.5 66	1480	75	59 67 65	4.5	1010	900	694	1299	215	280	240	$\Phi 20$	JG3-2
DFG150-500B/4/55	116 166 199	64.5 62 58	1480	55	57 63 63	4.5	870	900	689	1227	215	280	240	$\Phi 20$	JG3-2
DFG150-500C/4/45	106 151 178	59 56 52	1480	45	57 63 63	4.5	870	900	649	1172	215	280	240	$\Phi 20$	JG3-2
DFG200-200/4/11	140 200 240	13.5 12.5 10.6	1480	11	71 79 81	4.5	390	700	435	887	195	320	275	$\Phi 24$	JG2-2
DFG200-200A/4/7.5	127 182 218	12 10.5 9.3	1480	7.5	66 76 76	4.5	366	700	422	807	195	320	275	$\Phi 24$	JG2-2
DFG200-250/4/18.5	140 200 240	22 20 17	1480	18.5	74 80 77	4.5	470	720	477	972	200	320	275	$\Phi 24$	JG3-1
DFG200-250A/4/15	127 182 218	19.8 18.5 15.3	1480	15	72 78 75	4.5	400	720	447	944	200	320	275	$\Phi 24$	JG3-1
DFG200-315/4/30	140 200 240	33.8 32 28.5	1480	30	72 79 79	4.5	700	800	539	1077	200	320	275	$\Phi 24$	JG3-1
DFG200-315A/4/22	127 182 218	30.4 28.8 25	1480	22	71 78.5	4.5	595	800	514	1010	200	320	275	$\Phi 24$	JG3-1
DFG200-315B/4/18.5	116 166 199	27.4 25.9 23	1480	18.5	70 77.5	4.5	567	800	514	975	200	320	275	$\Phi 24$	JG3-1
DFG200-400/4/45	140 200 240	53 50 46	1480	45	67 75 73	4.5	940	840	588	1168	215	320	275	$\Phi 24$	JG3-1
DFG200-400A/4/37	127 182 218	47 44.5 41	1480	37	66 74 72	4.5	900	840	588	1143	215	320	275	$\Phi 24$	JG3-2

■ DFG 型泵安装尺寸图 Type DFG dimension figure

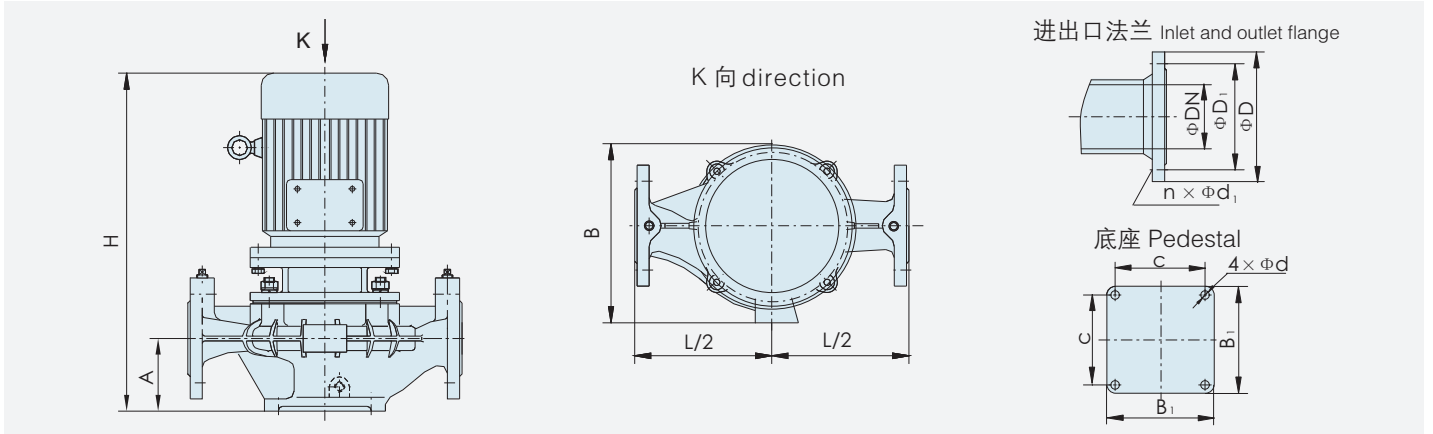


法兰尺寸 Dimension of flange(mm)			
Φ DN	Φ D	Φ D ₁	n × Φ d ₁
Φ 200	Φ 340	Φ 295	12 × Φ 22

■ DFG 性能参数表及安装尺寸表 Type DFG performance data table and mounting dimension table

泵型号 Type	流量 (m ³ /h) Capacity	扬程 (m) Head	转速 (r/min) Speed	电机功率 (kW) Power	效率 (%) Efficiency	汽蚀余量 (m) NPSHR	总重量 (kg) Total weight	安装尺寸 Mounting dimension (mm)					底座规格 Spec		
								L	B	H	A	B ₁	C	Φ d	规格 Spec
DFG200-400B/4/30	116 166	42 39.5 36.5	1480	30	65 73 71	4.5	890	840	553	1083	215	320	275	Φ 24	JG3-2
DFG200-400C/4/22	104 151 178	33 28	1480	22	65 73 71	4.5	810	840	527	1016	215	320	275	Φ 24	JG3-2
DFG200-500/4/90	140 200 240	83 80 75	1480	90	61 62 67	4.5	1590	900	694	1364	215	280	240	Φ 20	JG3-2
DFG200-500A/4/75	127 182 218	70.5 66	1480	75	59 67 65	4.5	1530	900	694	1299	215	280	240	Φ 20	JG3-2
DFG200-500B/4/55	116 166 199	64.5 62 58	1480	55	57 65 63	4.5	1430	900	689	1227	215	280	240	Φ 20	JG3-2
DFG200-200(II)/4/18.5	210 300 360	13.8 12.5 10.8	1480	18.5	78 80 80	4.5	500	840	510	1012	240	320	275	Φ 24	JG3-2
DFG200-200(II)A/4/15	200 270 343	12 10.5 9.3	1480	15	76 78 78	4.5	450	840	510	984	240	320	275	Φ 24	JG3-1
DFG200-250(II)/4/30	210 300 360	22 20 15.5	1480	30	70 72 77	4.5	680	900	530	1103	230	320	275	Φ 24	JG3-1
DFG200-250(II)A/4/22	200 270 343	17.5 16 13.5	1480	22	69 78 76	4.5	600	900	505	1036	230	320	275	Φ 24	JG3-1
DFG200-315(II)/4/45	210 300 360	33.8 32 28	1480	45	73 78 77	4.5	760	890	605	1195	240	320	275	Φ 24	JG3-2
DFG200-315(II)A/4/45	200 270 343	30 27.5 24	1480	45	72 74 73	4.5	710	890	605	1195	240	320	275	Φ 24	JG3-2
DFG200-315(II)B/4/30	180 246 310	26 25.5 20	1480	30	72 74 71	4.5	630	890	570	1115	240	320	275	Φ 24	JG3-2
DFG200-400(II)/4/75	210 300 360	52.5 50 42	1480	75	75 80 76	4.5	970	900	660	1258	240	320	275	Φ 24	JG3-2
DFG200-400(II)A/4/55	200 270 343	46.5 44 38	1480	55	76 78 77	4.5	750	900	660	1258	240	320	275	Φ 24	JG3-2
DFG200-400(II)B/4/45	180 246 310	40.5 38.5 30	1480	45	75 76 76	4.5	640	900	620	1208	240	320	275	Φ 24	JG3-2
DFG200-500(II)/4/110	210 300 360	83 80	1480	110	72 74	4.5	1400	950	906	1745	240	400	350	Φ 24	JG4-1
DFG200-500(II)A/4/90	200 270 343	73 70.5 66	1480	90	72 74 73	4.5	1300	950	702	1399	240	400	350	Φ 24	JG4-1
DFG200-500(II)B/4/75	180 246 310	64.5 62 58	1480	75	72 73 71	4.5	930	950	702	1337	240	400	350	Φ 24	JG4-1

DFG 型泵安装尺寸图 Type DFG dimension figure



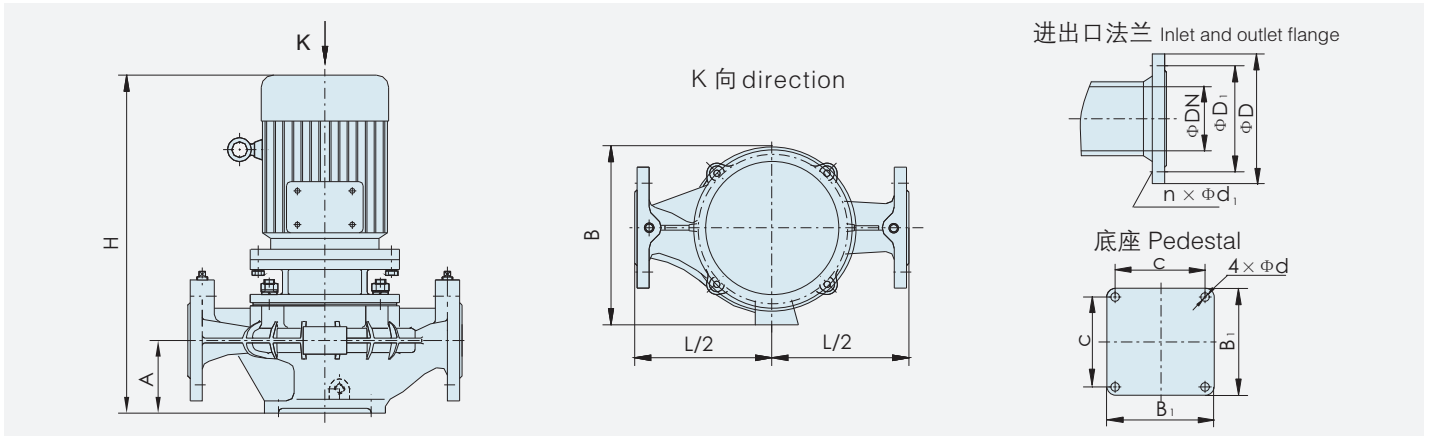
法兰尺寸 Dimension of flange(mm)

Φ DN	Φ D	Φ D ₁	$n \times \Phi d_1$
Φ 200	Φ 340	Φ 295	12 \times Φ 22
Φ 250	Φ 405	Φ 355	12 \times Φ 26

DFG 性能参数表及安装尺寸表 Type DFG performance data table and mounting dimension table

泵型号 Type	流量 (m ³ /h) Capacity	扬程 (m) Head	转速 (r/min) Speed	电机功率 (kW) Power	效率 (%) Efficiency	汽蚀余量 (m) NPSHR	总重量 (kg) Total weight	安装尺寸 Mounting dimension (mm)					规格规格 Spec		
								L	B	H	A	B ₁	C	Φ d	规格 Spec
DFG200-200(I)/4/22	280 400 480	13.5 12.5 11	1480	22	71 69	4.5	420	840	512	1047	240	320	275	Φ 24	JG3-2
DFG200-200(I)A/4/18.5	258 368 442	12 10.5 9.3	1480	18.5	68 77	4.5	400	840	512	1012	240	320	275	Φ 24	JG3-2
DFG200-250(I)/4/30	280 400 480	22 20 17	1480	30	78 82 78.5	4.5	460	900	530	1103	230	320	275	Φ 24	JG3-1
DFG200-250(I)A/4/22	258 368 442	19.5 17.5 13.5	1480	22	72 81 77.5	4.5	420	900	505	1036	230	320	275	Φ 24	JG3-1
DFG200-315(I)/4/55	280 400 480	35 32 27.5	1480	55	73 80 76	4.5	760	890	660	1250	240	320	275	Φ 24	JG3-2
DFG200-315(I)A/4/45	258 368 442	30.5 27.5 23.3	1480	45	68 77 71	4.5	650	890	605	1195	240	320	275	Φ 24	JG3-2
DFG200-315(I)B/4/37	237 339 406	26.5 23.5 19	1480	37	63 70 66	4.5	600	890	605	1170	240	320	275	Φ 24	JG3-2
DFG200-400(I)/4/75	280 400 480	54 52 42	1480	75	75 81 77	4.5	980	900	665	1333	240	320	275	Φ 24	JG3-2
DFG200-400(I)A/4/75	258 368 442	47.5 44 34	1480	75	74 80 76	4.5	980	900	665	1333	240	320	275	Φ 24	JG3-2
DFG200-400(I)B/4/55	237 339 406	42 38.5 33	1480	55	73 75	4.5	760	900	660	1258	240	320	275	Φ 24	JG3-2
DFG200-400(I)C/4/45	213 303 363	38 33 31	1480	45	73 75	4.5	650	900	620	1208	240	320	275	Φ 24	JG3-2
DFG200-500(I)/4/160	280 400 480	83 80 75	1480	160	72 75	4.5	1600	950	906	1845	240	400	350	Φ 24	JG4-1
DFG200-500(I)A/4/132	258 368 442	73 70.5 66	1480	132	70 73	4.5	1600	950	906	1845	240	400	350	Φ 24	JG4-1
DFG200-500(I)B/4/110	237 339 406	64.5 62 58	1480	110	68 73 71	4.5	1450	950	906	1745	240	400	350	Φ 24	JG4-1
DFG200-500(I)C/4/90	213 303 363	59 52 52	1480	90	68 73 71	4.5	1100	950	702	1399	240	400	350	Φ 24	JG4-1
DFG250-200/4/30	400 550 660	13.5 11 11	1480	30	76 82 78.7	5.5	620	950	555	1140	265	400	350	Φ 24	JG3-1
DFG250-200A/4/22	368 502 607	11.6 10.8 9.5	1480	22	74 80 76	5.5	570	950	555	1073	265	400	350	Φ 24	JG3-1
DFG250-250/4/45	400 550 660	22 20 18	1480	45	76 82 78	5.5	750	1100	625	1205	240	400	350	Φ 24	JG3-2
DFG250-250A/4/37	368 502 607	19.4 17.8 15.8	1480	37	74 80 76	5.5	700	1100	625	1180	240	400	350	Φ 24	JG3-2

■ DFG 型泵安装尺寸图 Type DFG dimension figure

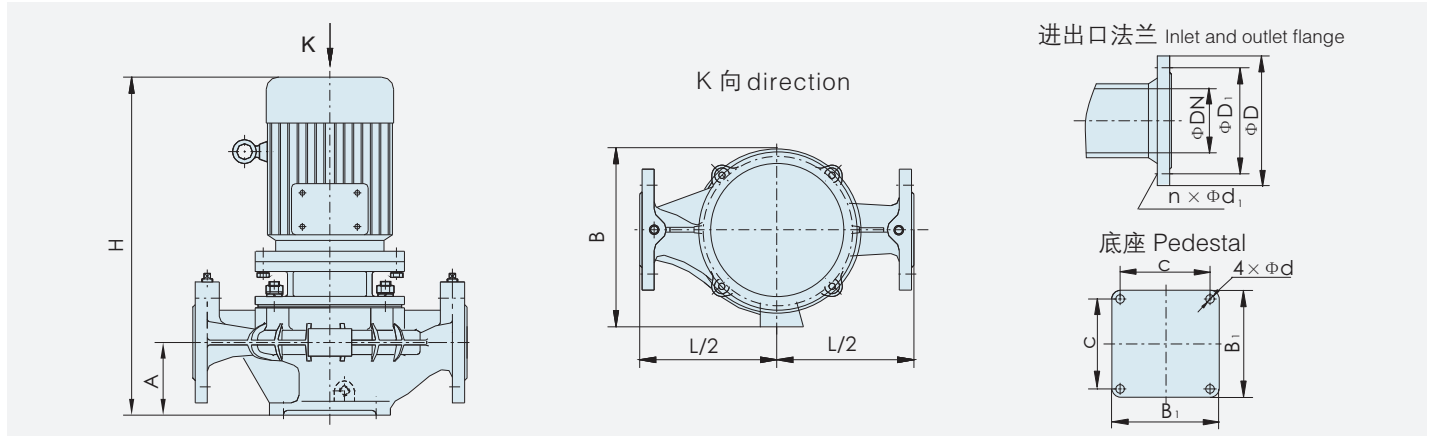


法兰尺寸 Dimension of flange(mm)			
Φ DN	Φ D	Φ D ₁	$n \times \Phi$ d ₁
Φ 250	Φ 405	Φ 355	12 \times Φ 26
Φ 300	Φ 460	Φ 410	12 \times Φ 26

■ DFG 性能参数表及安装尺寸表 Type DFG performance data table and mounting dimension table

泵型号 Type	流量 (m ³ /h) Capacity	扬程 (m) Head	转速 (r/min) Speed	电机功率 (kW) Power	效率 (%) Efficiency	汽蚀余量 (m) NPSHR	总重量 (kg) Total weight	安装尺寸 Mounting dimension (mm)					底座规格 Spec		
								L	B	H	A	B ₁	C	Φ d	规格 Spec
DFG250-315/4/75	400 550 660	34 32 28	1480	75	74 80 75	5.5	1000	980	645	1369	265	400	350	Φ 24	JG3-2
DFG250-315A/4/55	368 506 607	30 28 23	1480	55	72 78 73	5.5	850	980	640	1294	265	400	350	Φ 24	JG3-2
DFG250-315B/4/45	339 466 559	26.5 25 20	1480	45	68 77.6 71	5.5	750	980	600	1229	265	400	350	Φ 24	JG3-2
DFG250-400/4/110	400 550 660	54 50 40	1480	110	69 76 72	5.5	1500	980	906	1765	265	400	350	Φ 24	JG4-1
DFG250-400A/4/90	368 506 607	48 44.5 35.3	1480	90	69 70 72	5.5	1150	980	701	1421	265	400	350	Φ 24	JG4-1
DFG250-400B/4/75	339 466 559	43 39.5 31.5	1480	75	66 68 68	5.5	1000	980	701	1359	265	400	350	Φ 24	JG3-2
DFG250-400C/4/55	312 426 514	33 31 28	1480	55	64 70 72	5.5	850	980	701	1359	265	400	350	Φ 24	JG3-2
DFG250-500/4/200	400 550 660	80 70	1480	200	68 71	5.5	1900	1300	906	1871	265	400	350	Φ 24	JG4-1
DFG250-500A/4/160	368 506 607	75 62.5	1480	160	67 70 70	5.5	1850	1300	906	1866	265	400	350	Φ 24	JG4-1
DFG250-500B/4/132	339 466 559	66.5 63.5 55.3	1480	132	65 68	5.5	1600	1300	906	1866	265	400	350	Φ 24	JG4-1
DFG250-500C/4/110	312 426 514	59 56 52	1480	110	63 72 46	5.5	1500	1300	906	1766	265	400	350	Φ 24	JG4-1
DFG300-200/6/37	500 720 860	13.5 10.2	980	37	78 83 78	6	900	1250	670	1322	300	460	400	Φ 28	JG3-2
DFG300-200A/6/30	460 627 791	12 9.3	980	30	77 82 77	6	800	1250	645	1267	300	460	400	Φ 28	JG3-2
DFG300-250/4/55	500 720 860	22 20 18	1480	55	78 83 77	6	1100	1200	660	1322	300	460	400	Φ 28	JG3-2
DFG300-250A/4/45	460 627 791	20.2 17.6 14.1	1480	45	75 84 74	6	1050	1200	620	1282	300	460	400	Φ 28	JG3-2
DFG300-315/4/90	500 720 860	35 27	1480	90	76 82 76	6	1250	1250	675	1469	300	460	400	Φ 28	JG4-1
DFG300-315A/4/75	460 627 791	30.5 28 23.5	1480	75	74 80 74	6	1050	1250	675	1407	300	460	400	Φ 28	JG4-1
DFG300-315B/4/55	414 572 712	25.5 23.5 20	1480	55	72 78 72	6	900	1250	670	1332	300	460	400	Φ 28	JG3-2
DFG300-400/4/132	500 720 860	54 50 42	1480	132	75 80 78	6	1800	1200	906	1895	300	460	400	Φ 28	JG4-1

DFG 型泵安装尺寸图 Type DFG dimension figure



法兰尺寸 Dimension of flange(mm)

ΦDN	ΦD	ΦD_1	$n \times \Phi d_1$
$\Phi 300$	$\Phi 460$	$\Phi 410$	$12 \times \Phi 26$
$\Phi 350$	$\Phi 520$	$\Phi 470$	$16 \times \Phi 26$

DFG 性能参数表及安装尺寸表 Type DFG performance data table and mounting dimension table

泵型号 Type	流量 (m ³ /h) Capacity	扬程 (m) Head	转速 (r/min) Speed	电机功率 (kW) Power	效率 (%) Efficiency	汽蚀余量 (m) NPSHR	总重量 (kg) Total weight	安装尺寸 Mounting dimension (mm)						规格 Spec	
								L	B	H	A	B ₁	C	Φd	规格 Spec
DFG300-400A/4/110	460 982	47 43.5 36.5	1480	110	74 79 77	6	1650	1200	906	1795	300	460	400	$\Phi 28$	JG4-1
DFG300-400B/4/90	414 592 712	41 38 32	1480	90	72 75	6	1300	1200	713	1459	300	460	400	$\Phi 28$	JG4-1
DFG300-400C/4/75	373 539 641	33 32 28	1480	75	71 76 73	6	1100	1200	713	1397	300	460	400	$\Phi 28$	JG4-1
DFG300-500/4/250	500 720 860	84 84 72	1480	250	74 80 75	6	250	1200	1080	2080	300	460	400	$\Phi 28$	JG4-1
DFG300-500A/4/200	460 982	74 74 63.5	1480	200	73 74	6	2050	1200	906	1895	300	460	400	$\Phi 28$	JG4-1
DFG300-500B/4/160	414 592 712	65 58 52	1480	160	71 77 72	6	1950	1200	906	1900	300	460	400	$\Phi 28$	JG4-1
DFG300-500C/4/132	373 539 605	59 52 52	1480	132	70 71	6	1650	1200	906	1900	300	460	400	$\Phi 28$	JG4-1
DFG300-390(I)/4/160	718 1080 1345	44.6 40 34.6	1480	160	75 82 81	6	1650	1250	906	1975	370	450	400	$\Phi 27$	JG4-1
DFG300-390(II)A/4/132	642 1265 1203	35.7 32 27.7	1480	132	73 80 79	6	1600	1250	906	1830	370	450	400	$\Phi 27$	JG4-1
DFG350-200/6/55	900 1200 1400	13.5 12.5 10.5	980	55	76 80 77	6.5	1300	1500	764	1645	400	510	460	$\Phi 28$	JG4-1
DFG350-200A/6/45	819 1092 1310	11.5 10.5 9	980	45	74 78 75	6.5	1200	1500	764	1580	400	510	460	$\Phi 28$	JG4-1
DFG350-250/4/90	900 1200 1400	22 20 16	1480	90	76 80 76	6.5	1400	1500	717	1569	400	510	460	$\Phi 28$	JG4-1
DFG350-250A/4/75	819 1092 1310	19 14 14	1480	75	73 73	6.5	1300	1500	717	1517	400	510	460	$\Phi 28$	JG4-1
DFG350-315/4/160	900 1200 1400	36 36 26	1480	160	74 78 75	6.5	1930	1500	918	2000	400	510	460	$\Phi 28$	JG4-1
DFG350-315A/4/132	819 1092 1310	31 29 23	1480	132	72 73	6.5	1850	1500	918	2000	400	510	460	$\Phi 28$	JG4-1
DFG350-315B/4/110	745 994 1192	27 27 20	1480	110	70 71	6.5	1750	1500	918	1900	400	510	460	$\Phi 28$	JG4-1
DFG350-400/4/250	900 1200 1400	54 48 43	1480	250	70 74 72	6.5	2300	1280	1051	2177	400	510	460	$\Phi 28$	JG4-1
DFG350-400A/4/200	819 1092 1310	47.5 44 38	1480	200	68 70	6.5	1950	1280	947	1992	400	510	460	$\Phi 28$	JG4-1
DFG350-400B/4/200	745 994 1192	42 38.5 34	1480	200	60 70 68	6.5	1950	1280	947	1992	400	510	460	$\Phi 28$	JG4-1
DFG350-400C/4/160	670 805 1073	33 33 28	1480	160	59 66 66	6.5	1850	1280	947	2007	400	510	460	$\Phi 28$	JG4-1