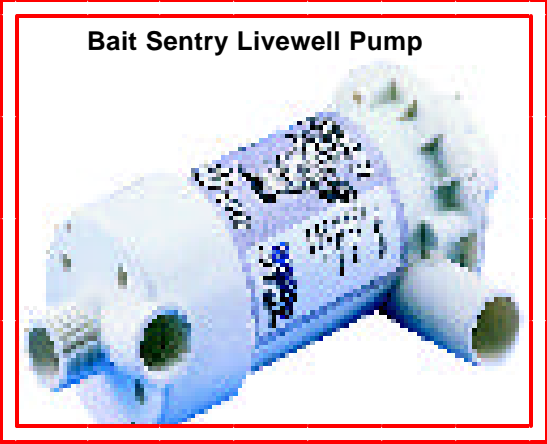


# MARINE PRODUCT DATA SHEET

OEM 1700-020-030 (1100 GPH)  
AFTERMARKET 1700-021-030 (1100 GPH)



**Bait Sentry Livewell Pump**

### TYPICAL APPLICATIONS

12V Bait/Livewell Application. For other applications, contact SHURflo.

### PUMP

Type:	Centrifugal Pump
Port ( Outlet):	1 1/8" Port
Port (Inlet):	3/4" NPT-M
Wash Down (Inlet):	1/2" NPT-F
Liquid:	130 °F [54 °C] Max
Prime:	Flooded Inlet
Inlet PSI:	30 PSI [2.1 Bar] Max
Run Dry:	Yes

### ELECTRICAL

Motor:	12VDC Permanent Magnet, Continuous Duty
Protection:	External Fuse
Leads:	6 ft (1.8M) Twisted Jacketed Cable
Fuse:	6 Amp Recommended
Control:	No Control

### MATERIALS

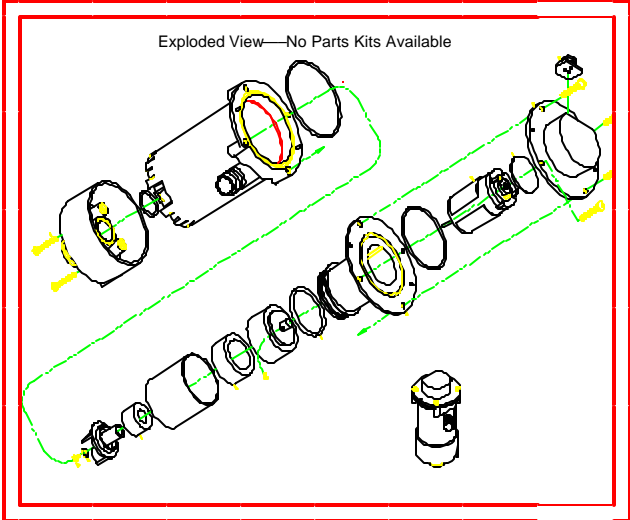
Housing:	High Strength Nylon
Impeller:	Acetal
Hardware:	Stainless Steel

### APPROVALS

Ignition Protected, ISO 8846

### WARRANTY

3 Year Limited Warranty  
See SB-1050 For Full Warranty Details



### SHIPPING

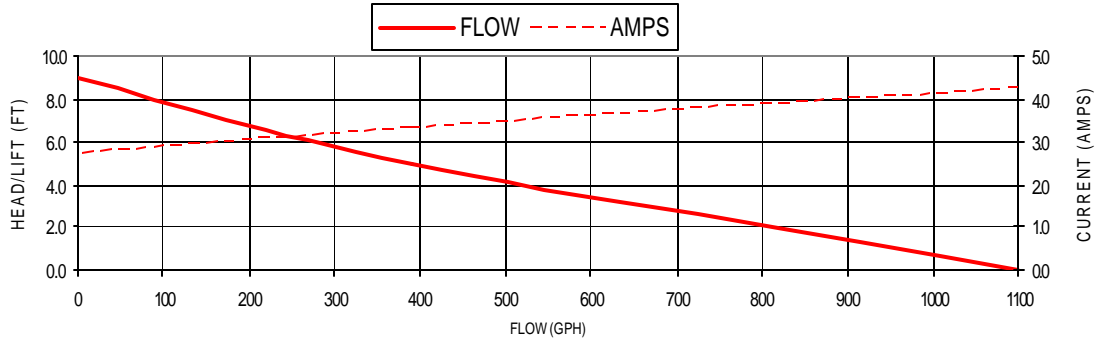
Net Weight (Boxed):	2.5 Lb [1.1 Kg] each
Carton Weight:	14 Lb [6.3 Kg]
Pumps in Carton:	6
Carton Size:	16"L x 11"W x 11"H [41 cm x 28 cm x 28cm]

### RELATED DOCUMENTS

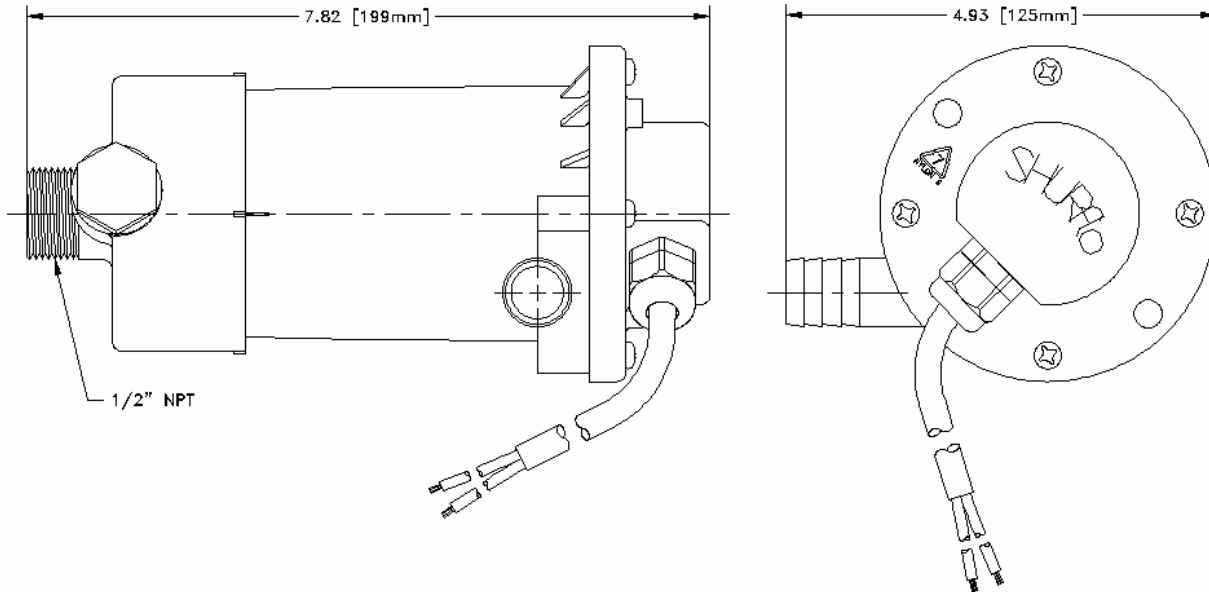
Catalog:	MS-030-083 / 030-084
Installation Manual:	911-466
Maintenance:	911-466
Applications Spec Guide:	MS-020-005
Warranty:	SB-1041 / SB-1050

TYPICAL PERFORMANCE @ 12V DC

PRESSURE		FLOW		CURRENT
METERS	FT OF HEAD	GPH	LPH	AMPS
0.0	0	1100	3028	4.3
1.5	5	390	1476	3.4
2.7	10	0	0	2.8



DIMENSIONS [mm]



\*ISO Registered Facility

SHURflo reserves the right to update specifications, prices, or make substitutions.



SHURflo, LLC\*  
 5900A Katella Ave.  
 Cypress, Ca. 90630  
 Phone: 800 854 3218  
 Fax: 562 795 7554  
 Shipping: 5900C Katella Ave.  
 Cypress, Ca. 90630

SHURflo East  
 52748 Park Six Court  
 Elkhart, IN 46514-5427  
 Phone: 800 854 3218  
 Fax: 574 264 2169  
 Http://www.shurflo.com  
 © 2001

SHURflo Ltd.\*  
 Unit 5, Sterling Park  
 Gatwick Road, Crawley  
 West Sussex, RH10 9QT  
 United Kingdom  
 Phone: 0044 (0) 1293 424 000  
 Fax: 0044 (0) 1293 421 880