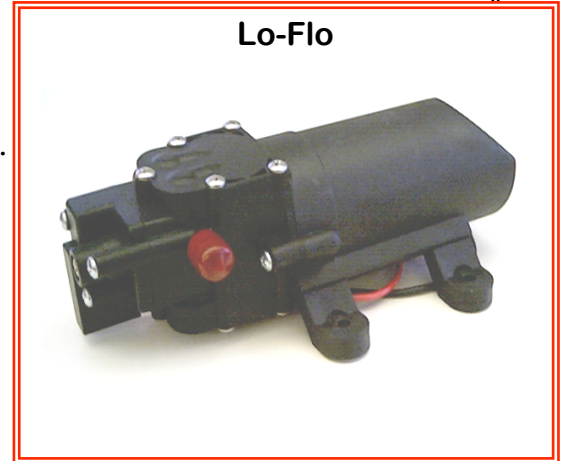


### TYPICAL APPLICATIONS

Single fixture 12 VDC potable water installations.  
Other uses include combinations with electric faucet systems. This pump may be used for general water transfer. For other applications, contact SHURflo.

### PUMP

Type	Positive Displacement Pump
Ports	3/8" Barb
Liquid	130 °F [54 °C] Max
Prime	Self-priming to 2.5 feet [76 cm]
Inlet PSI	0 PSI [0 Bar] Max
Run Dry	2 Minutes



### ELECTRICAL

Motor	12VDC Permanent Magnet, Intermittent Duty, Splash-proof Housing
Protection	Thermal Overload, Automatic Restart
Leads	18 AWG, 6" [15 cm] Red +, 6" [15 cm] Black -
Fuse	5 Amp Time Delay Recommended
Control	Shut-off @ 30 PSI [2.1 Bar], Restart @ 25 PSI 5 PSI [.3 Bar]

### MATERIALS

Housing	Polypropylene
Diaphragm	Santoprene
Valves	EPDM
Hardware	Zinc Plated & Stainless Steel

No Parts Kits Available

### APPROVALS

c-UL

### WARRANTY

1 Year Limited Warranty  
See SB-1041 & SB-1050 For Full Warranty Details

### SHIPPING

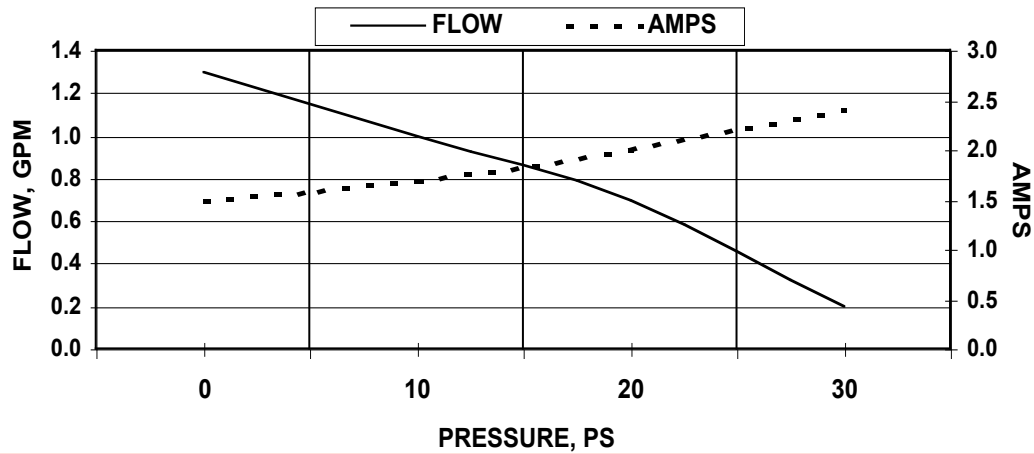
Net Weight (unboxed)	1.25 Lb [0.57Kg] each
Carton Weight	24 each, 35 Lb [15.9 Kg]
Carton Size	24"L x 18"W x 6"H [61cm x 46cm x 16cm]

### RELATED DOCUMENTS

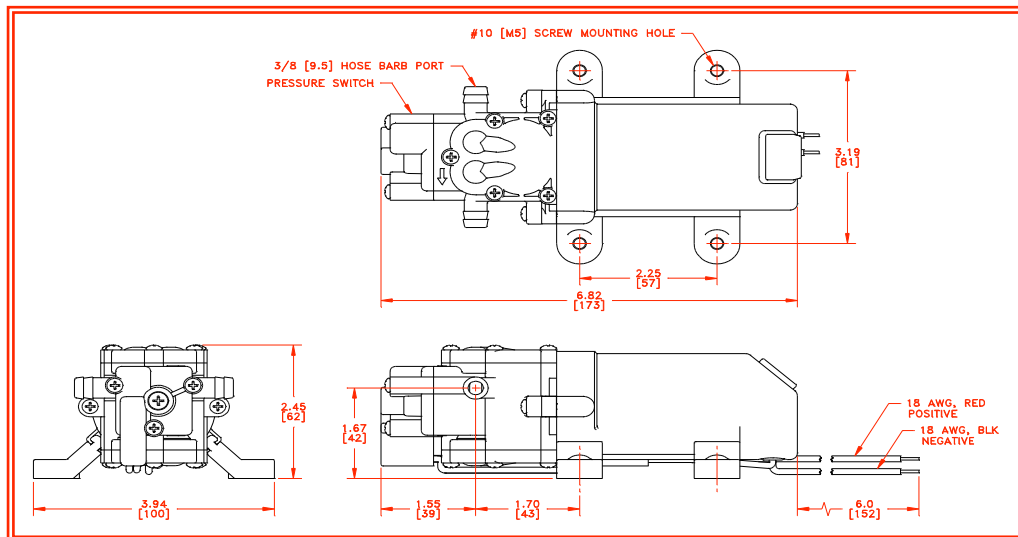
Catalog	MS-030-083
Installation Manual	911-585
Maintenance	911-585
Applications Spec Guide	MS-020-005
Warranty	SB-1041/MS-030-123

**Typical Performance**

PRESSURE		FLOW		CURRENT
BAR	PSI	GPM	LPM	AMPS
0.0	0	1.3	4.9	1.5
0.7	10	1.0	3.7	1.7
1.4	20	0.7	2.6	2.0
2.1	30	0.2	0.7	2.4



**Typical Dimensions**



\* ISO Registered Facility



*SHURflo reserves the right to update specifications, prices, or make substitutions.*

SHURflo, LLC ★  
 5900 Katella Ave.  
 Cypress, CA 90630  
 (800) 854-3218 (562) 795-5200  
 FAX (562) 795-7564  
 Shipping/UPS: 5900 Katella Ave. Bldg. C  
 Cypress, CA 90630

SHURflo, LLC East  
 52748 Park Six Court  
 Elkhart, IN 46514-5427  
 (800) 762-8094  
 (574) 262-0478  
 FAX (574) 264-2169  
 © 2001-2005

SHURflo Ltd. Europe, Middle East  
 Unit 5 Sterling Park  
 Gatwick Road, Crawley  
 West Sussex, RH10 2QT  
 United Kingdom  
 +44 1293 424000  
 (800) 854-3218  
 FAX +44 1293 421880