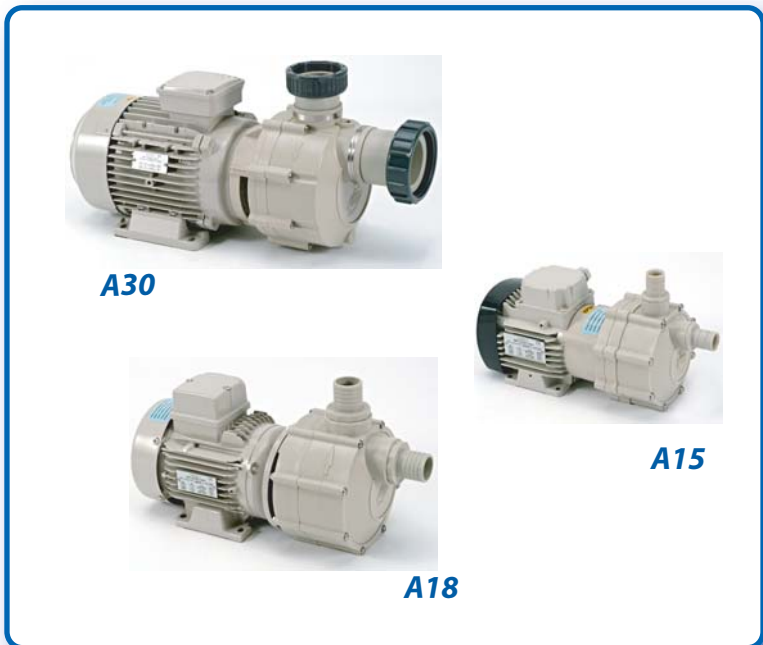




A15 to A30 mechanical drive pumps catalogue



- Presentation of the range*
- Curves*

Applications : surface treatment, transfer, pumping of chemicals, water treatment, paper industry, agriculture, agribusiness, cosmetics, fish farming, metallurgy.

Features	Advantages
Pump body made of injected plastic (Polypropylene or PVDF)	Excellent resistance to acids and bases Max. fluid temperature = 80°C (PP), 110°C (PVDF)
Closed centrifugal pump impeller with diffusion part	Very good efficiency Max. flow rate up to 48 m ³ /h Max. manometric head up to 23 m
Impeller back-balanced on drive shaft with rotating ring	Carbide/carbide seals very resistant to wear S.G. from 1.2 to 1.8
Integrated electric motor	Reduced dimensions
Automatic repriming	Suction head up to 2 m



A15 - A18 - A19 mechanical drive pumps

Self repriming

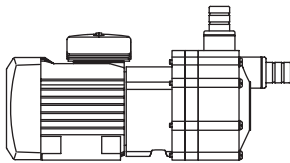
230/400 V 3ph motor - 50 Hz or 60 Hz upon request - 2,900 rpm

Serial-mounted strainer built into the volute case (except for A15)

Serial-mounted carbide / carbide seals (other types of seals available upon request)

Standard inlet/outlet with grooved nozzles

Optional union nuts or flange fittings

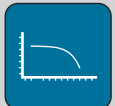


A15 pump

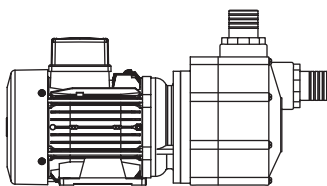
Technical features

- Motor power	0.18 kW
- Max. output	4.8 m ³ /h
- Max. head	9 m
- Max. fluid temperature	PP body 80°C
- Gaskets	EPDM - FPM
- S.G.	< 1.2

DIMENSIONS



CURVES



A18 pump

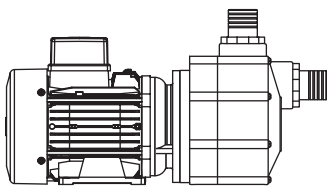
Technical features

- Motor power	0.75 kW	
- Max. output	10 m ³ /h	
- Max. head	18 m	
- Max. fluid temperature	PP body 80°C	PVDF body 110°C
- Gaskets	EPDM - FPM	FPM
- S.G.	< 1.8	

DIMENSIONS



CURVES



A19 pump

Technical features

- Motor power	1.1 kW	
- Max. output	14 m ³ /h	
- Max. head	19 m	
- Max. fluid temperature	PP body 80°C	PVDF body 110°C
- Gaskets	EPDM - FPM	FPM
- S.G.	< 1.7	

DIMENSIONS



CURVES



A27 - A30 mechanical drive pumps

Self repriming

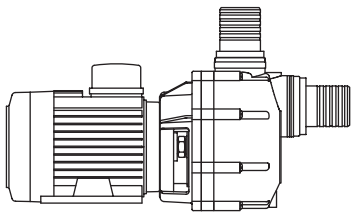
230/400 V 3ph motor - 50 Hz or 60 Hz upon request - 2,900 rpm

Serial-mounted strainer built into the volute case

Serial-mounted carbide / carbide seals (other types of seals available upon request)

Standard inlet/outlet with grooved nozzles

Optional union nuts or flange fittings



A27 pump

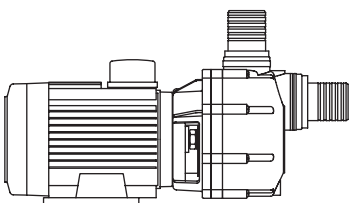
Technical features

- Motor power	2.2 kW	
- Max. output	30 m ³ /h	
- Max. head	22 m	
- Max. fluid temperature	PP body 80°	PVDF body 110°
- Gaskets	EPDM - FPM	FPM
- S.G.	< 1.4	

DIMENSIONS



CURVES



A30 pump

Technical features

- Motor power	4 kW	
- Max. output	48 m ³ /h	
- Max. head	22 m	
- Max. fluid temperature	PP body 80°C	PVDF body 110°C
- Gaskets	EPDM - FPM	FPM
- S.G.	< 1.5	

DIMENSIONS



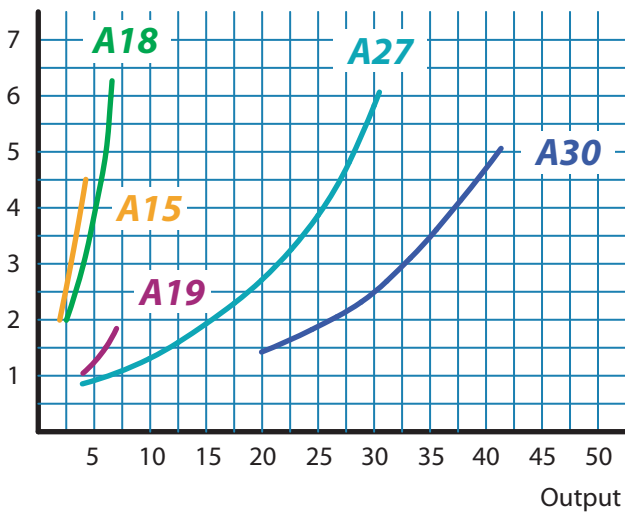
CURVES



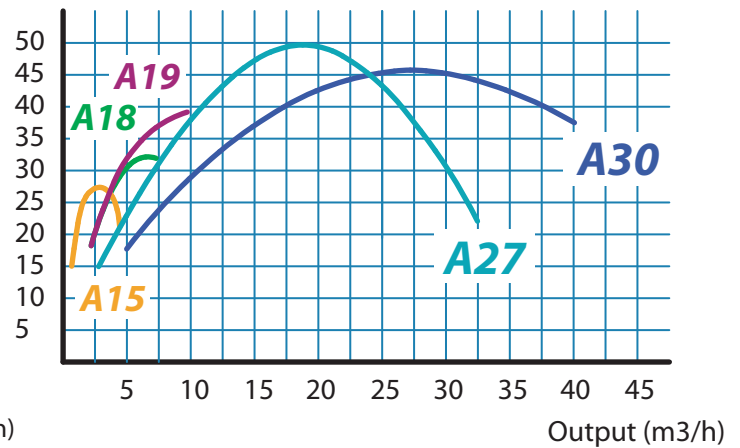
A15 - A18 - A19 - A27 - A30 pumps

Mechanical drive pumps

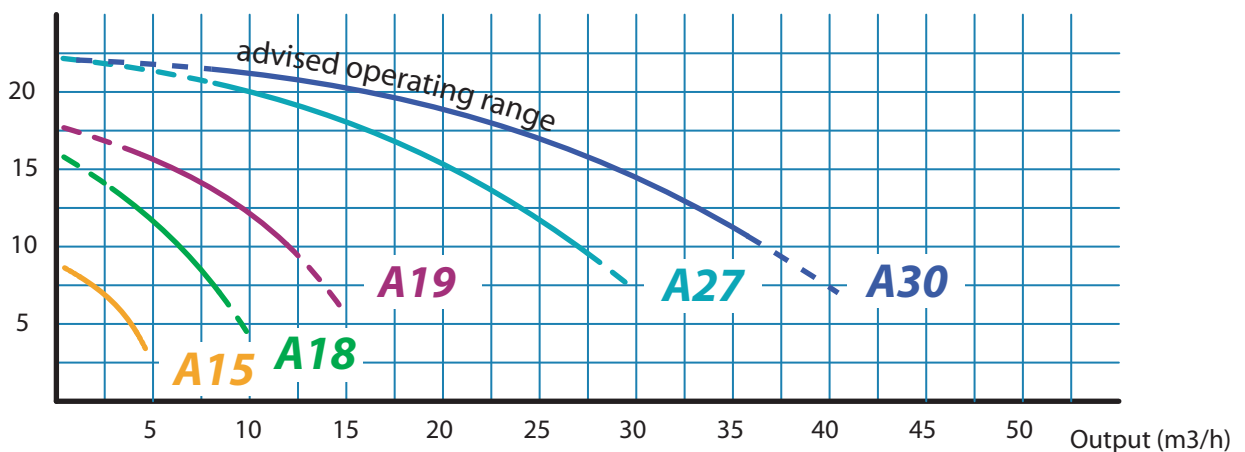
NPSH (m)



Yield%

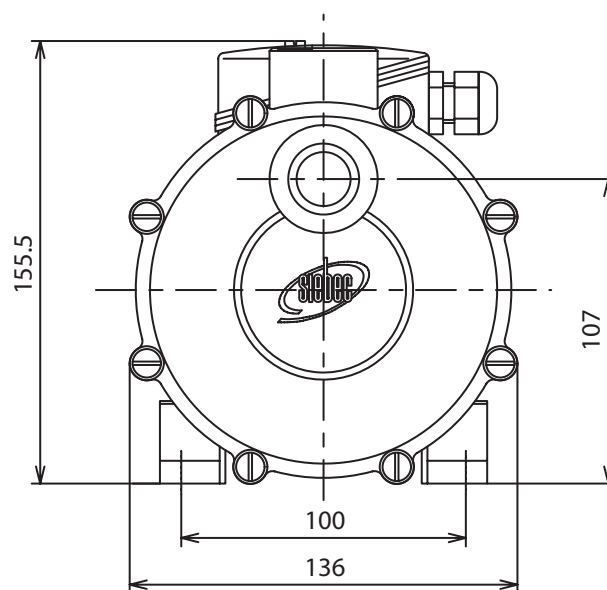
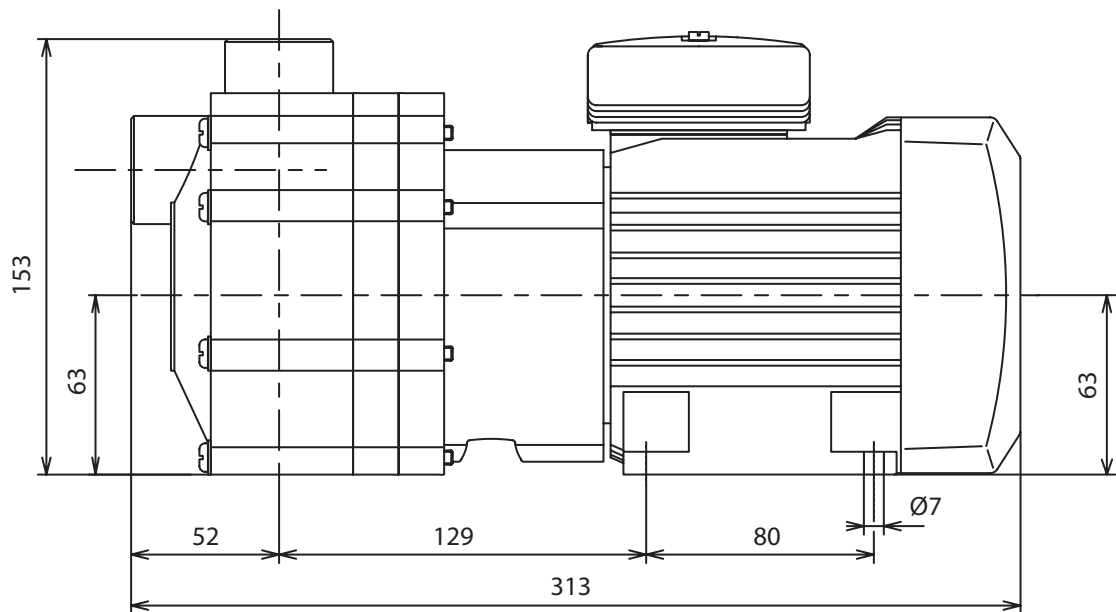


Manometric head (m)



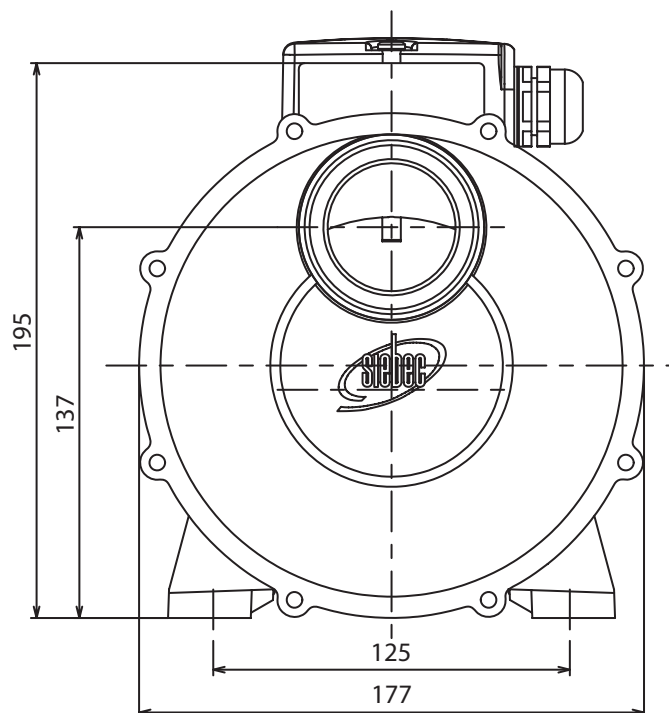
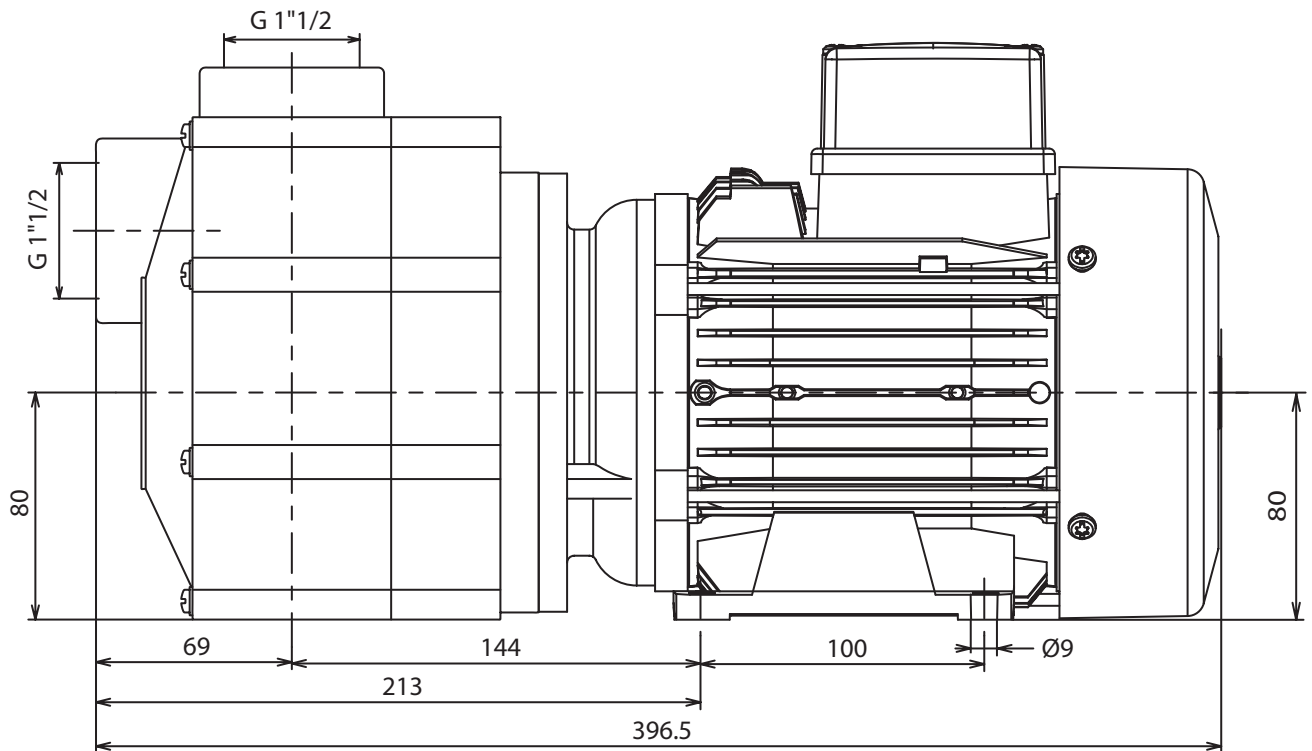


A15 pump



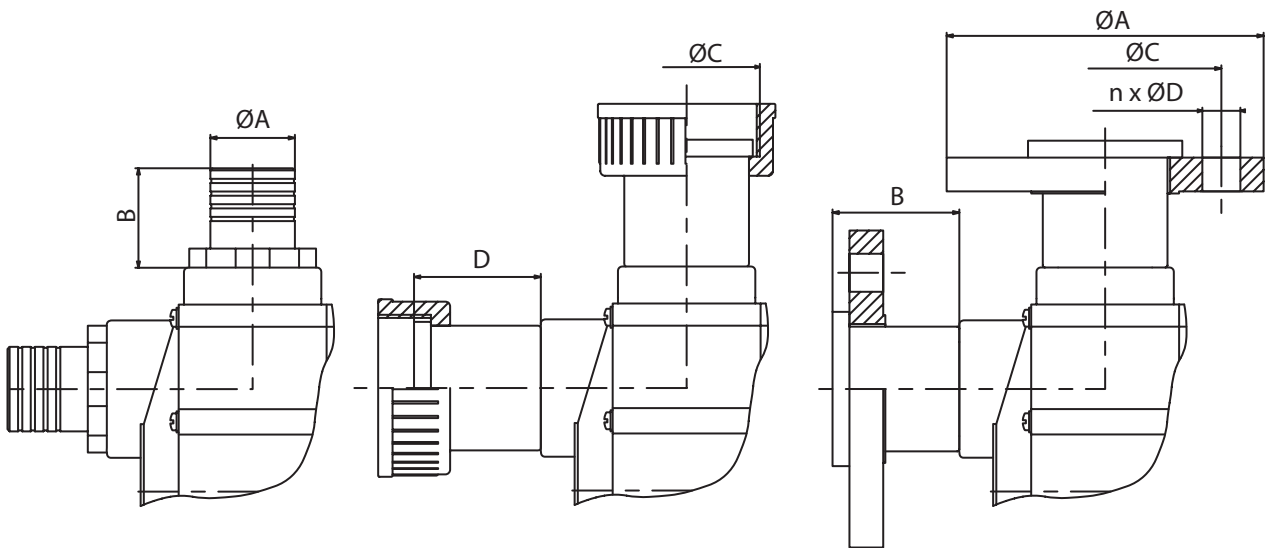


A18 - A19 pumps

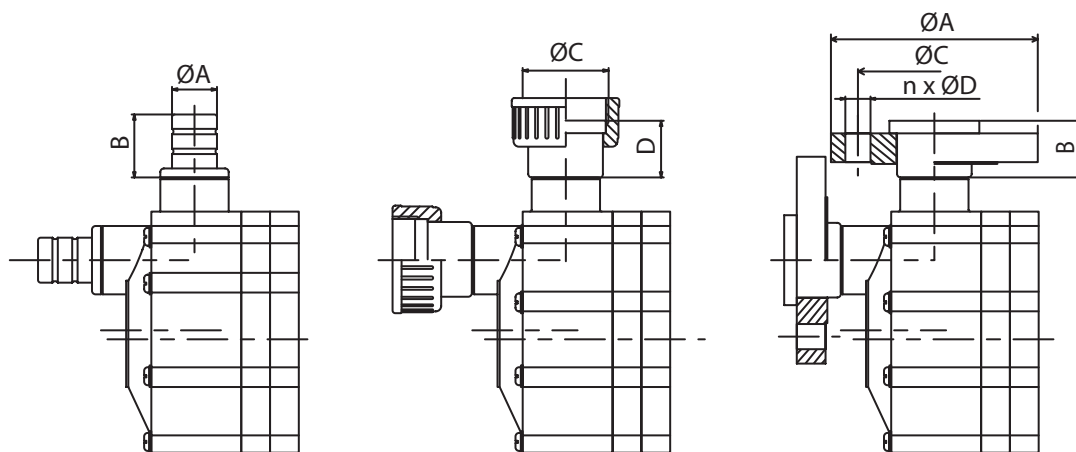




A15 - A18 - A19 pumps connections



Pumps	Grooved nozzles ØA - B	Union nuts ØC (DN) - D	Flange fittings ØA - ØC - n x ØD - B
A18 - A19 Inlet Outlet	Ø40 - 47	G2"1/4 - DN40 - 60	Ø150 - Ø110 - 4x18 - 60



Pump	Grooved nozzles ØA - B	Union nuts ØC (DN) - D	Flange fittings ØA - ØC - n x ØD - B
A15 Inlet Outlet	Ø25 - 35	G1"1/2 - DN25 - 31.5	Ø115 - Ø85 - 4x14 - 31.5



A27 pump

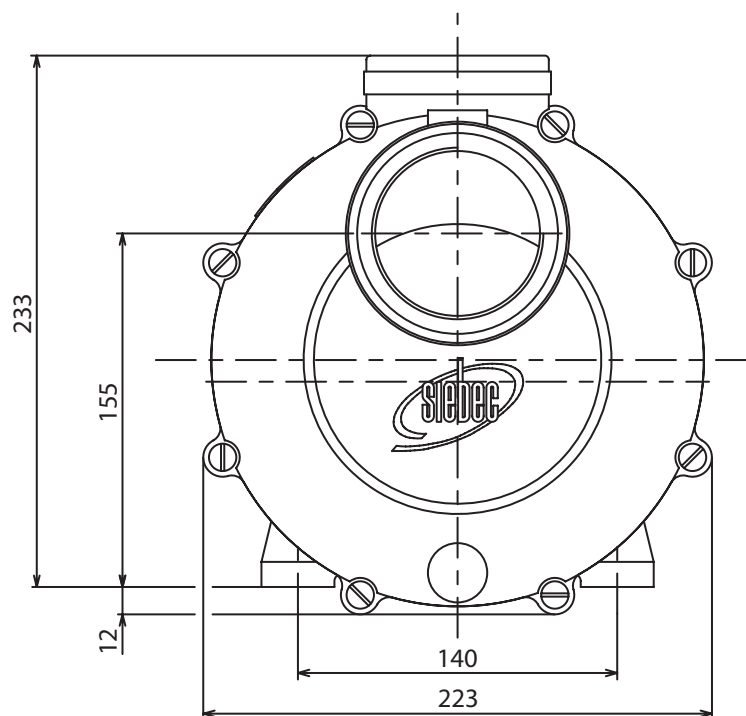
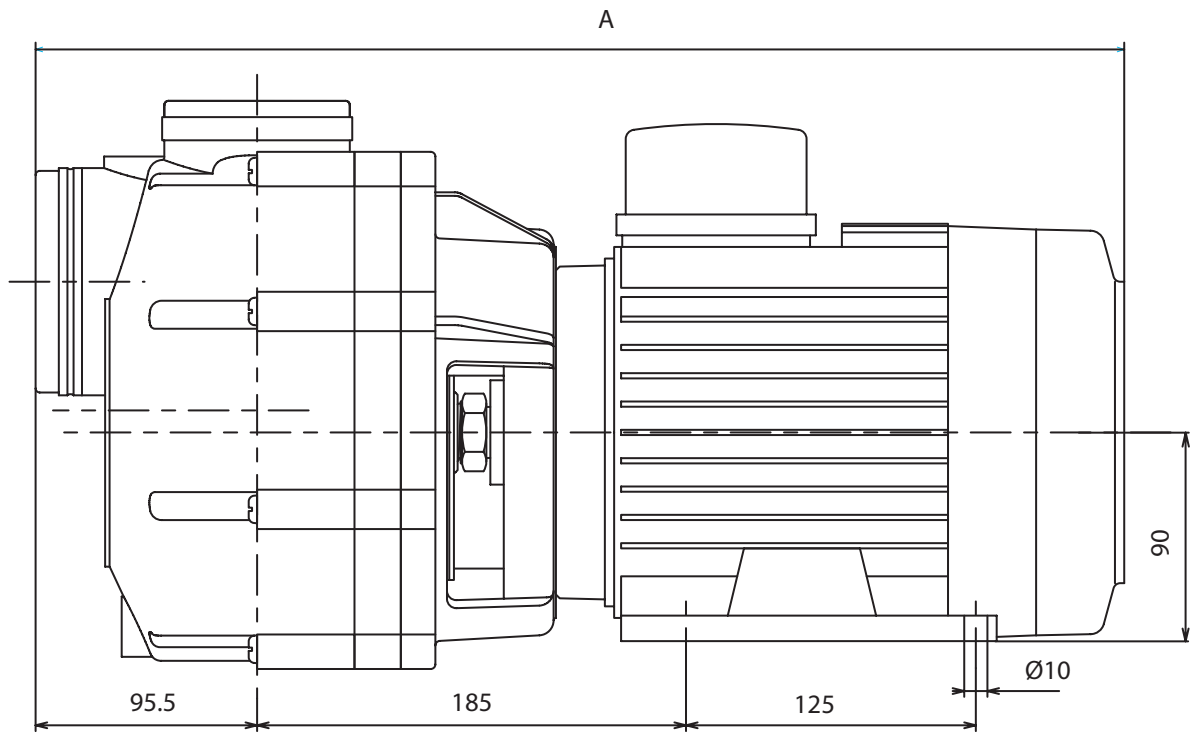


Table for size A

LEROY	470
LAFFERT	505.5



A30 pump

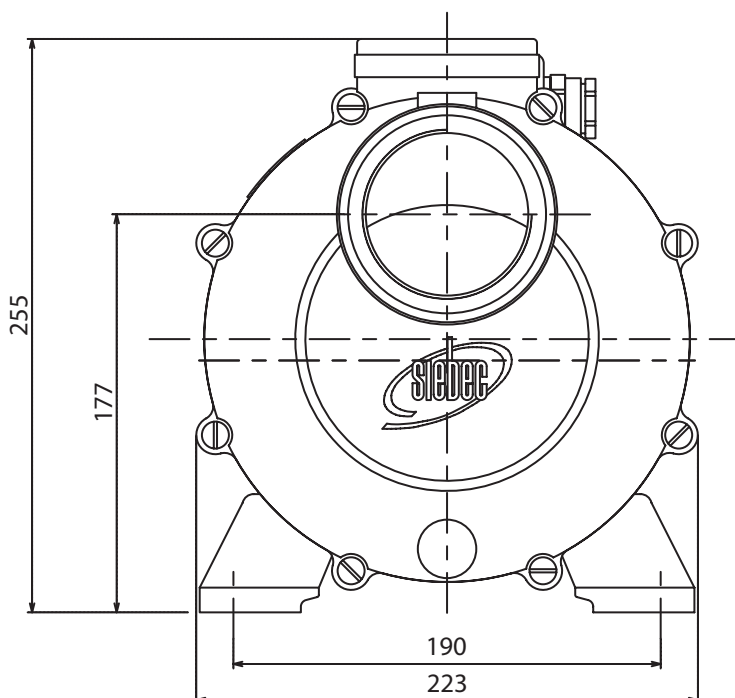
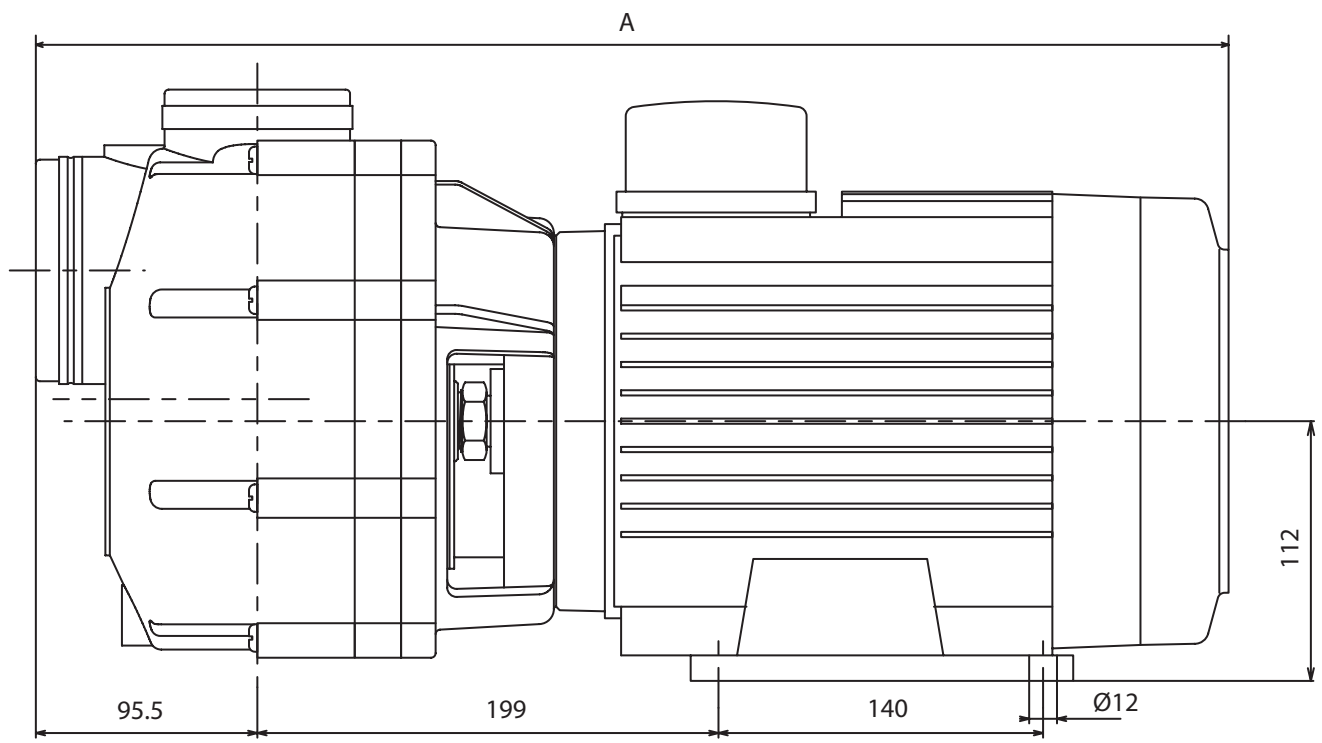
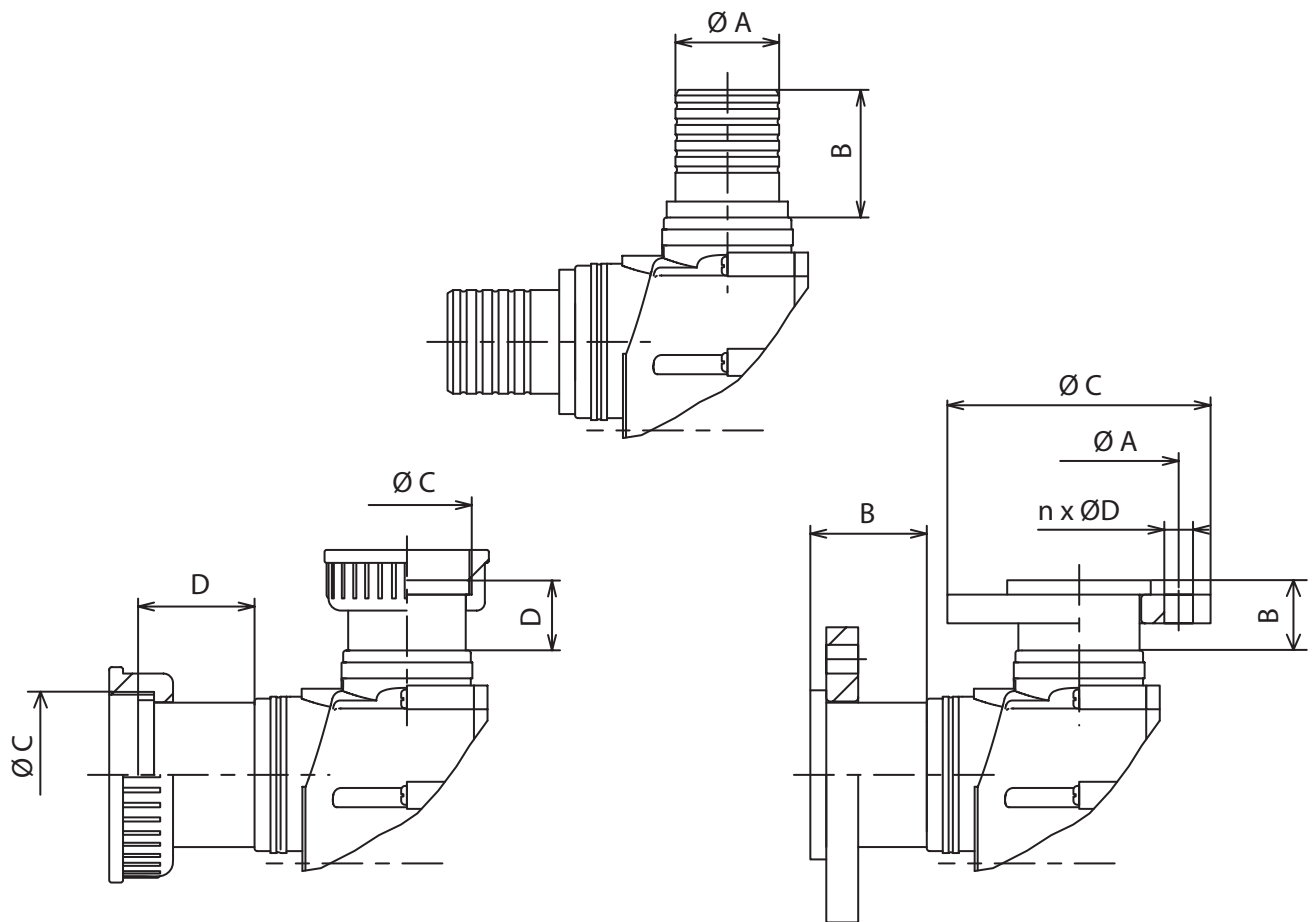


Table for size A

LEROY	514
LAFFERT	560



A27-A30 pumps connections



Pumps	Grooved nozzles	Union nuts	Flange fittings
	$\varnothing A - B$	$\varnothing C (DN) - D$	$\varnothing C - \varnothing A - n \times \varnothing D - B$
A27 - A30	Inlet Outlet	$\varnothing 65 - 80$ $\varnothing 65 - 80$	Tr108x5 - DN65 - 73 G2"3/4 - DN50 - 44
			$\varnothing 185 - \varnothing 145 - 4 \times \varnothing 18 - 73$ $\varnothing 165 - \varnothing 125 - 4 \times \varnothing 18 - 44$