



Magnetic drive pumps M250 to M400 catalogue



 *Presentation of the range*

 *Curves*

Applications : surface treatment, transfer, pumping of chemicals, water treatment, paper industry, agriculture, agribusiness, cosmetics industry, fish farming, metallurgy

Features	Advantages
Pump body made of injected plastic (Polypropylene or PVDF)	Excellent resistance to acids and bases Max. fluid temperature = 80°C (PP), 110°C (PVDF)
Closed centrifugal pump impeller with diffusion part	Very good efficiency Max. flow rate up to 40 m ³ /h Max. manometric head up to 22 m
Impeller driven by high capacity magnetic coupler	No gaskets, no risks of leaks Compatible with fluids of SG up to 2 according to models
Ceramic/ceramic impeller bearing oversized with ceramic /PTFE stop	Very long lifetime (running dry prohibited)
Integrated electric motor	Reduced dimensions
Automatic repriming	Suction head up to 2 m



M290 to M400 magnetic drive pumps

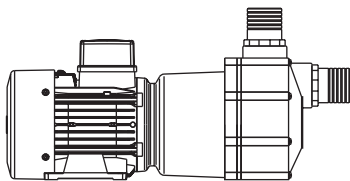
Self repriming

230/400 V three-phase motor - 50 Hz or 60 Hz upon request - 2,900 rpm

Serial-mounted strainer built into the volute case

Standard inlet/outlet with grooved nozzles

Optional union nuts or flange fittings



M250 Pump

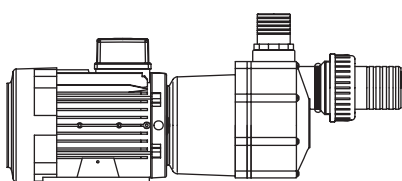
Technical features

- Motor power	1.5 kW	
- Max. output	25 m ³ /h	
- Max. head	19 m CE	
- Max. fluid temperature	PP body 80°C	PVDF body 110°C
- Gaskets	EPDM - FPM	FPM
- S.G.	< 1.2	

DIMENSIONS



CURVES



M290 pump

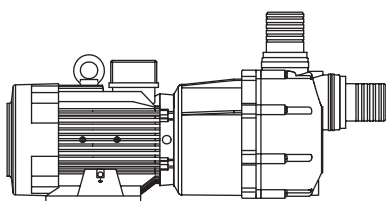
Technical features

- Motor power	2.2 kW	
- Max. output	29 m ³ /h	
- Max. head	21.5 m CE	
- Max. fluid temperature	PP body 80°C	PVDF body 110°C
- Gaskets	EPDM - FPM	FPM
- S.G.	< 1.5	

DIMENSIONS



CURVES



M400 pump

Technical features

- Motor power	4 kW	
- Max. output	40 m ³ /h	
- Max. head	22 m CE	
- Max. fluid temperature	PP body 80°C	PVDF body 110°C
- Gaskets	EPDM - FPM	FPM
- S.G.	< 1.3	

DIMENSIONS



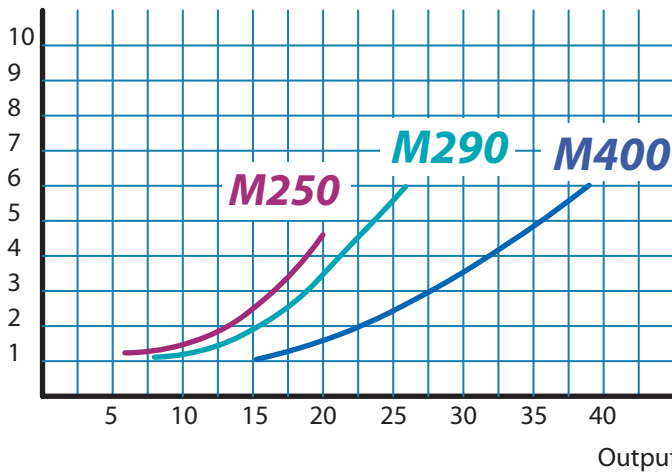
CURVES



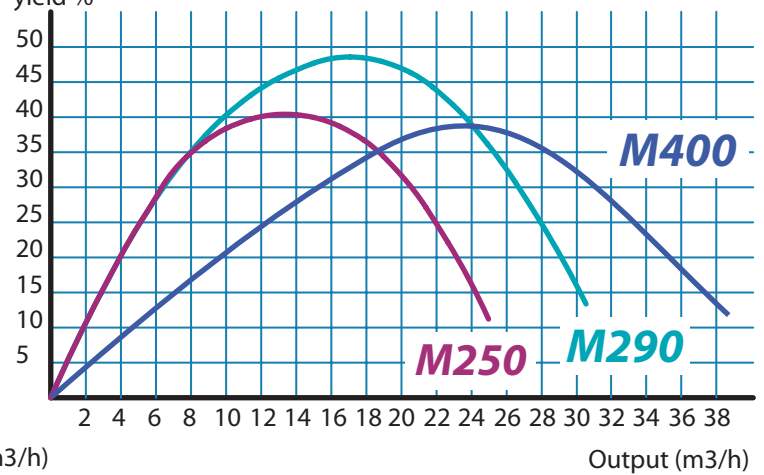
M250 - M290 - M400 pumps

Magnetic drive pumps

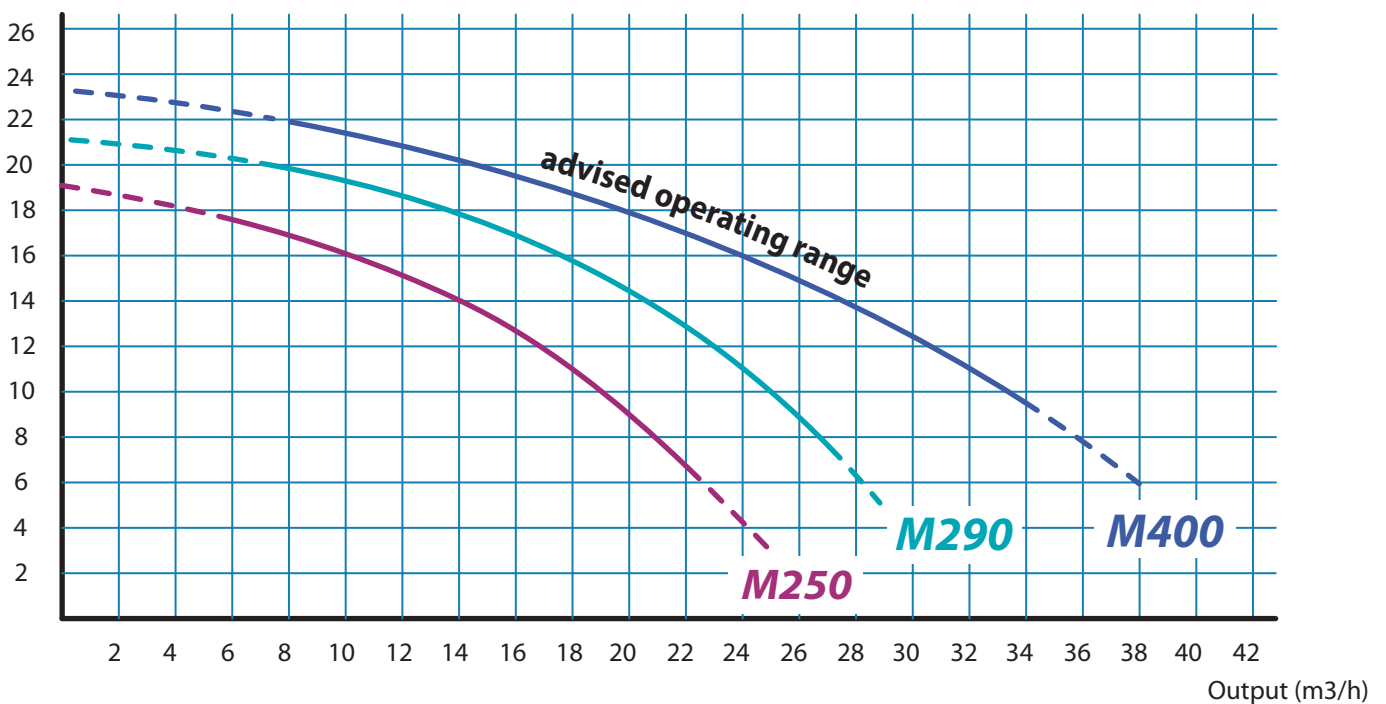
NPSH (m CE)



yield %

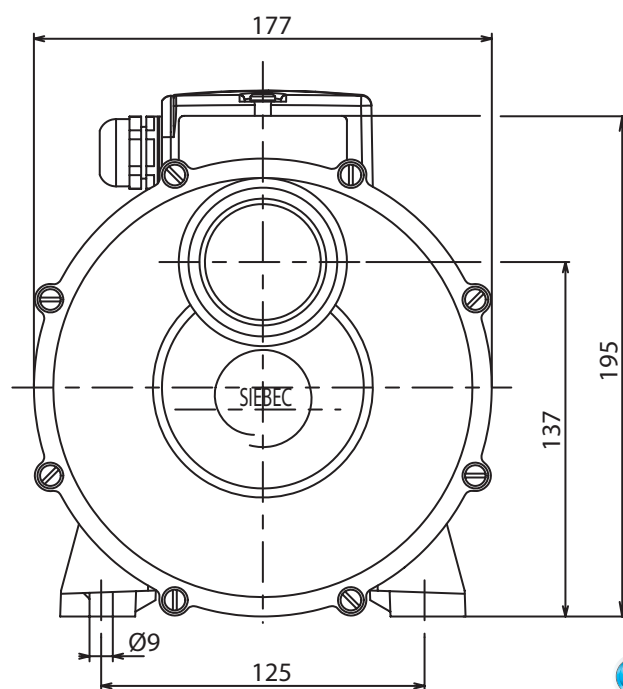
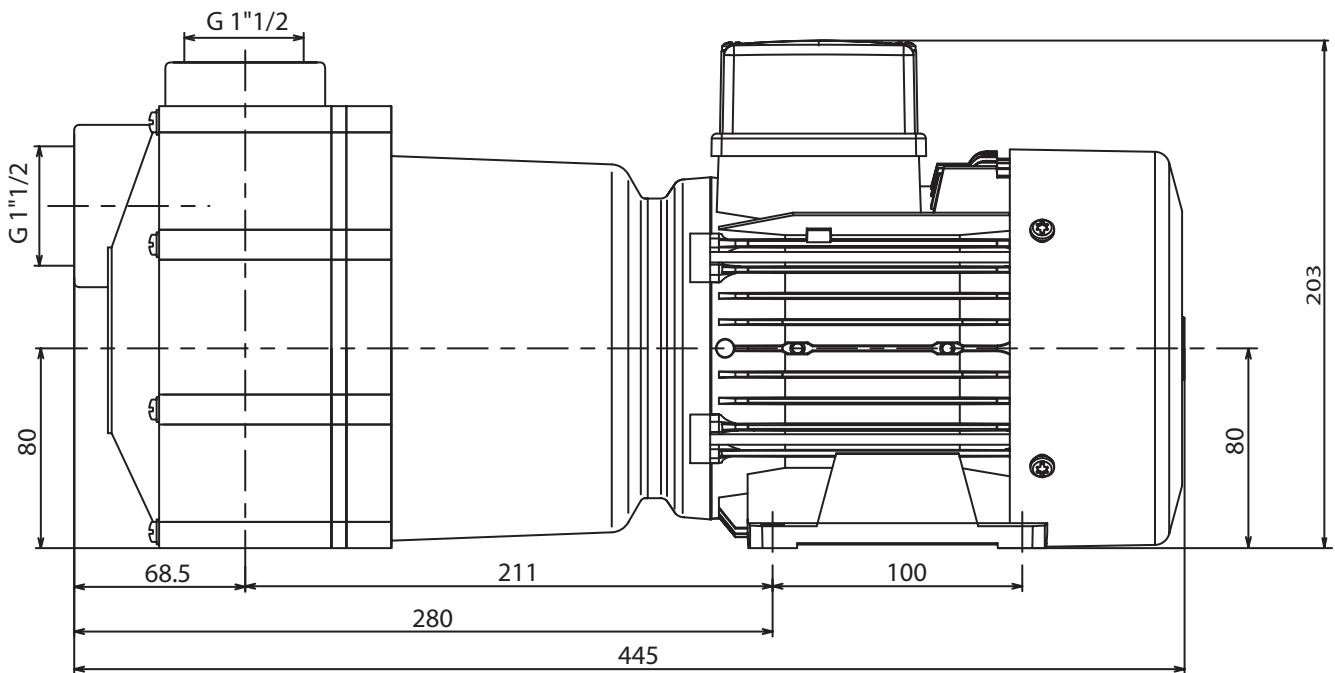


Manometric head (m CE)





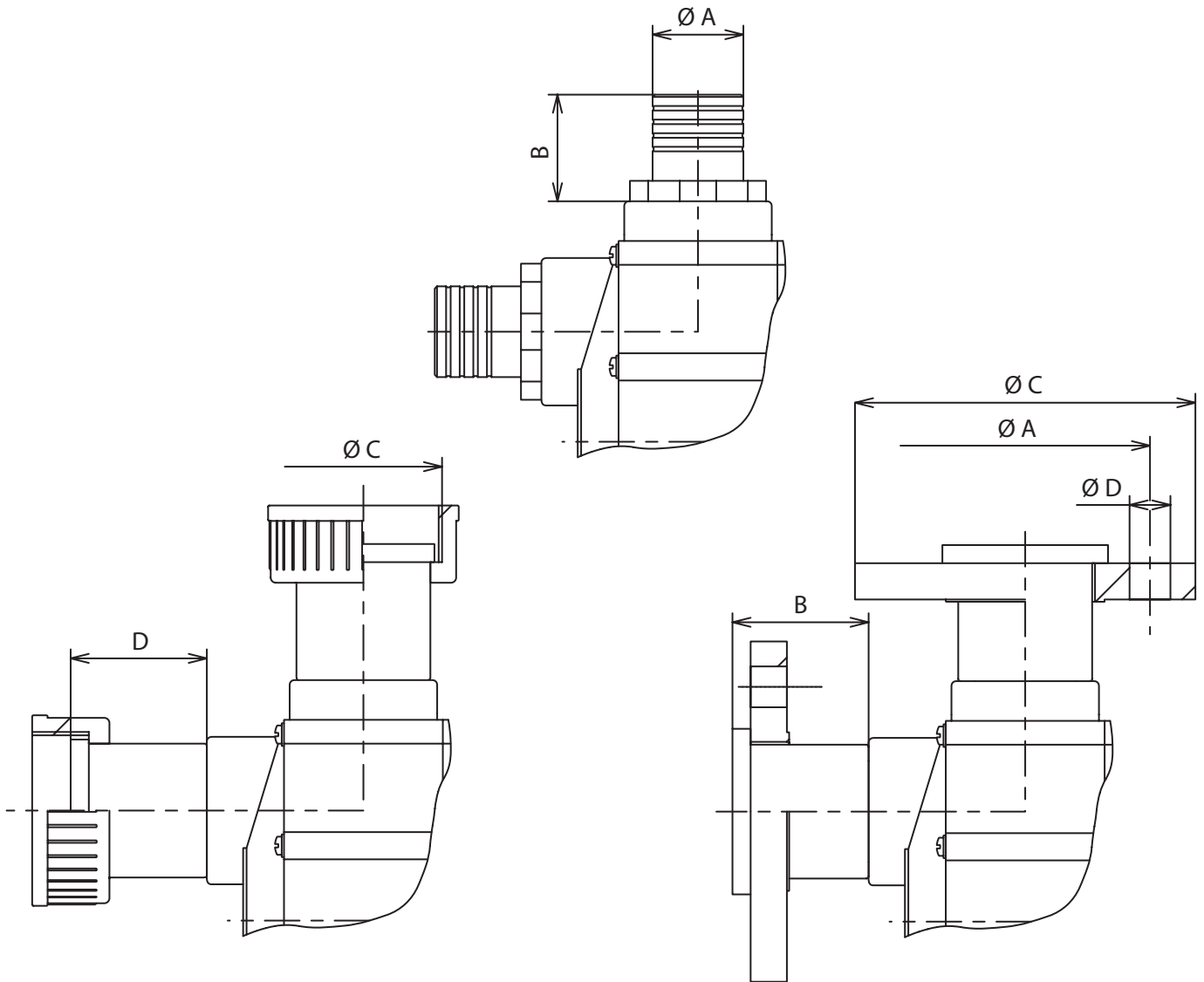
M250 pump



 **Connections**



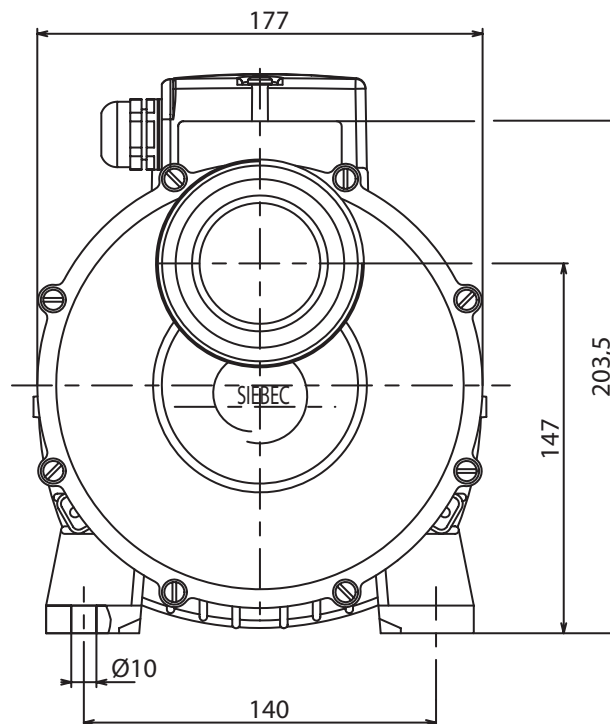
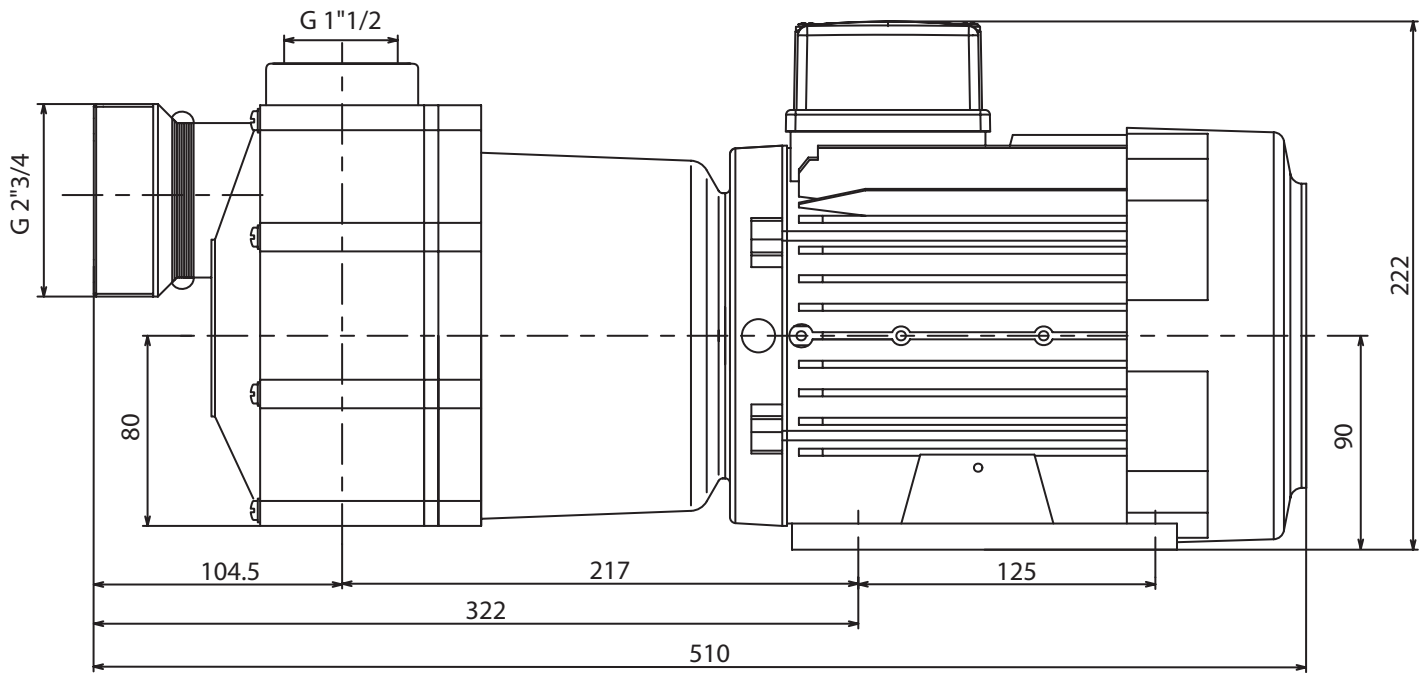
M250 pump connections



Model	Grooved nozzles ØA - B	Union nuts ØC (DN) - D	Flange fittings ØC - ØA - nxØD - B
M250	Inlet 50 - 55	G2"3/4 - DN50 - 60	165 - 125 - 4x18 - 60
	Outlet		



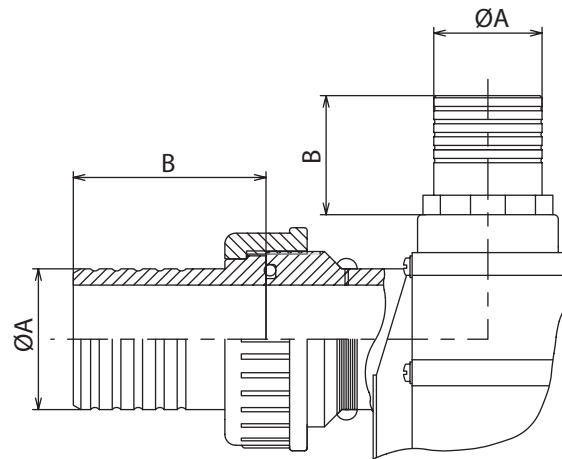
M290 pump



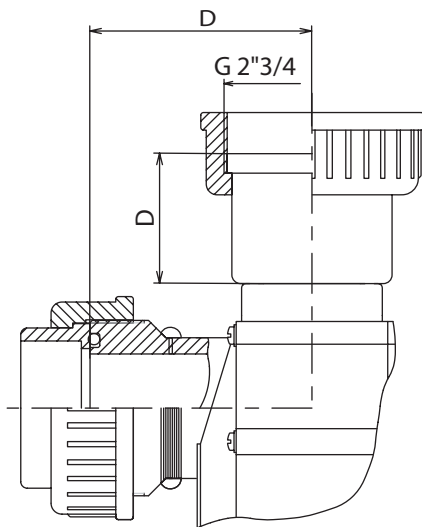
Connections



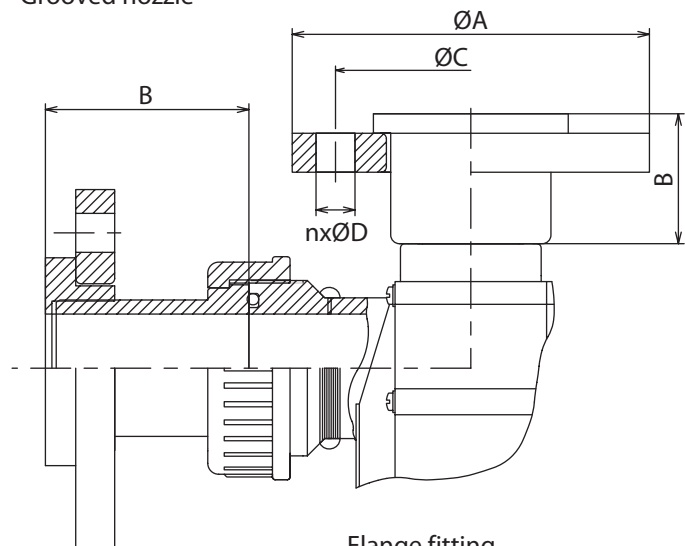
M290 pump connections



Grooved nozzle



Union nut

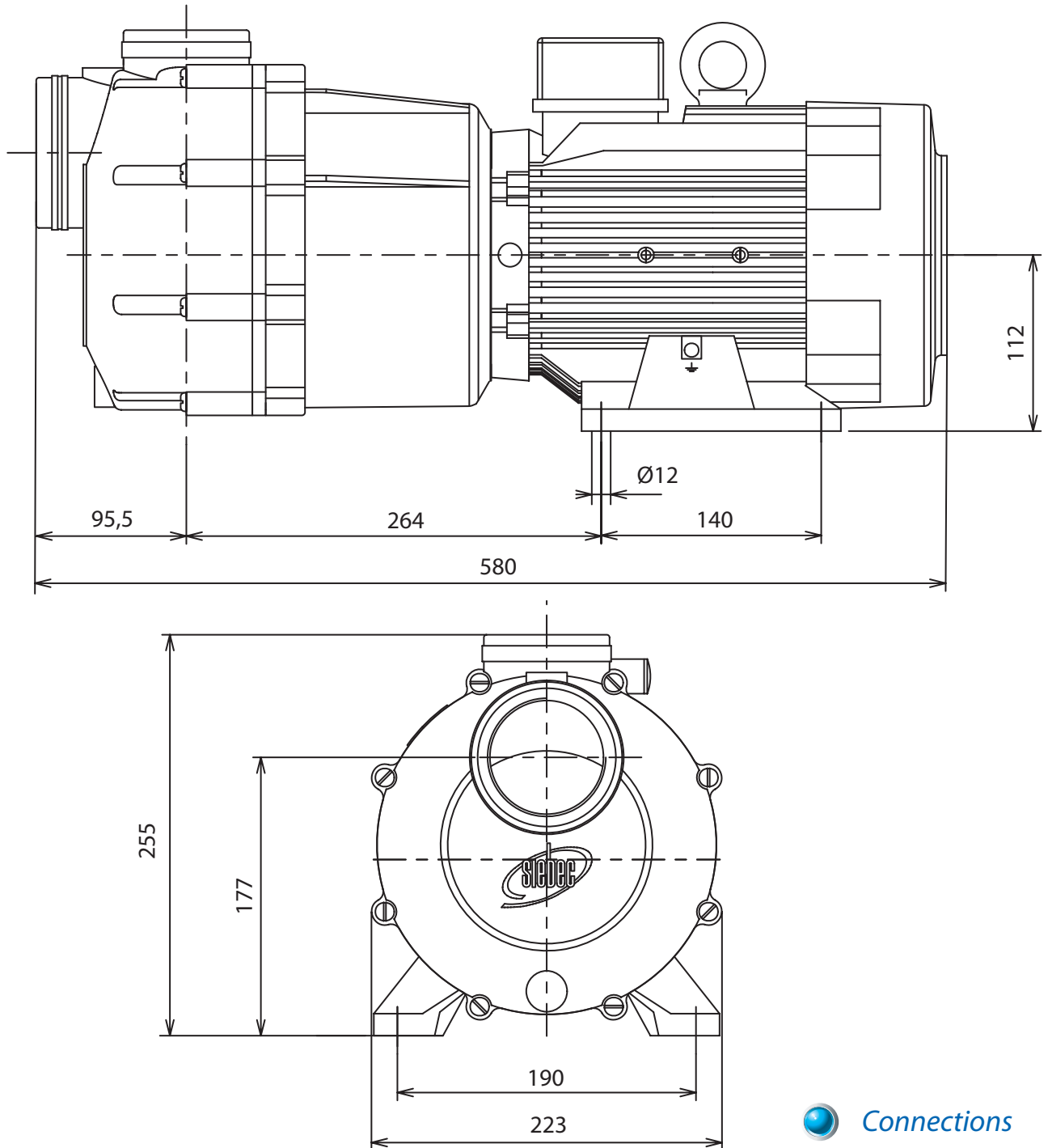


Flange fitting

Model		Grooved nozzles ØA - B	Union nuts ØC (DN) - D	Flange fittings ØA - ØC - nxØD - B
M290	Inlet	Ø65 - 89	G2"3/4 - DN50 - 102,5	Ø165 - Ø125 - 4x18 - 94
	Outlet	Ø50 - 55	G2"3/4 - DN50 - 60	Ø165 - Ø125 - 4x18 - 60



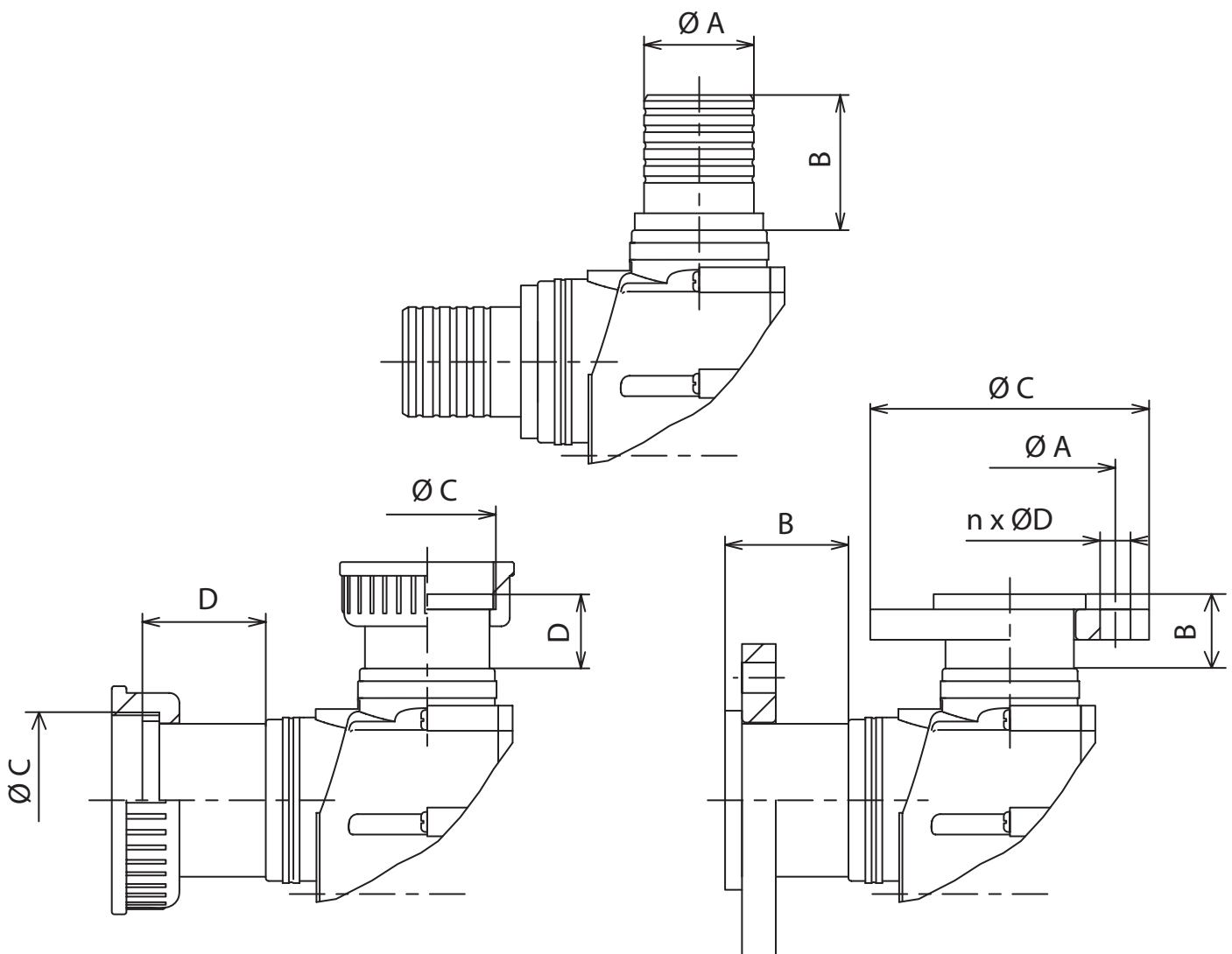
M400 pump



 **Connections**



M400 pump connections



Model		Grooved nozzles $\varnothing A - B$	Union nuts $\varnothing C$ (DN) - D	Flange fittings $\varnothing C - \varnothing A - n \times \varnothing D - B$
M400	Inlet	$\varnothing 65 - 80$	Tr108x5 - DN65 - 73	$\varnothing 185 - \varnothing 145 - 4 \times \varnothing 18 - 73$
	Outlet	$\varnothing 65 - 80$	G2"3/4 - DN50 - 44	$\varnothing 165 - \varnothing 125 - 4 \times \varnothing 18 - 44$