



T vertical pumps catalogue



- Presentation of the range
- Curves

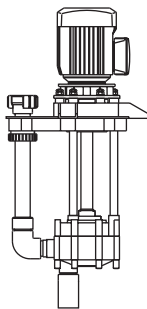
Applications : surface treatment, transfer, agitation of chemical tanks, cosmetics, metallurgy.

Features	Advantages
Pump body made of injected plastic (Polypropylene or PVDF)	Excellent resistance to acids and bases Max. fluid temperature 80°C (PP), 110°C (PVDF)
Closed centrifugal pump impeller with diffusion part	Very good efficiency Max. flow rate up to 22 m ³ /h Max. manometric head up to 18.5 m
Impeller driven by a cantilever shaft (T050-T200 & T072-T242)	No gaskets, no risks of leaks No wearing parts
Impeller driven by a long drive shaft with ceramic/ceramic bearing (T101-T201)	No gaskets, no risks of leaks Drive shaft height up to 730 mm
Version with back-impeller (T072-T242)	Can be operated out of the tank



T vertical pumps with cantilever shaft

- Immersed mounting imperative, self priming*
- 230/400 V 3 ph motor - 50Hz or 60 Hz upon request - 2,900 rpm*
- Serial-mounted strainer, external or built into the volute case according to models*
- Standard outlet tube with union nut*
- Optional outlet tube with grooved nozzle*
- Optional square fixation plate 302 mm wide*



T050 pump

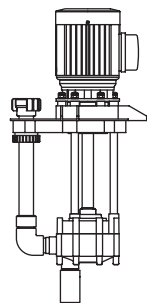
Technical features

- Motor power	0.25 kW	
- Max. output	5 m ³ /h	
- Max. head	6 m	
- Max. fluid temperature	PP body 80°C	PVDF body 110°C
- Gaskets	EPDM - FPM	FPM
- S.G.	< 1.3	

DIMENSIONS



CURVES



T070 pump

Technical features

- Motor power	0.55 kW	
- Max. output	7.2 m ³ /h	
- Max. head	9 m	
- Max. fluid temperature	PP body 80°C	PVDF body 110°C
- Gaskets	EPDM - FPM	FPM
- S.G.	< 1.3	

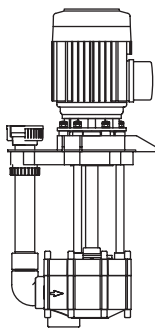
DIMENSIONS



CURVES



T vertical pumps with cantilever shaft



T100 pump

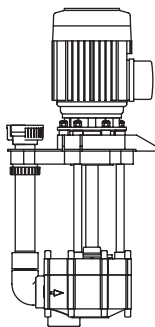
Technical features

- Motor power	0.75 kW	
- Max. output	10 m ³ /h	
- Max head	13 m	
- Max. fluid temperature	PP body 80°C	PVDF body 110°C
- Gaskets	EPDM - FPM	FPM
- S.G.	< 1.3	

DIMENSIONS



CURVES



T140 pump

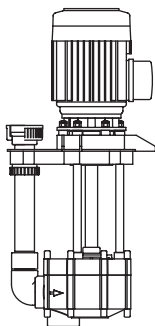
Technical features

- Motor power	1.1 kW	
- Max. output	14.5 m ³ /h	
- Max. head	14.3 m	
- Max. fluid temperature	PP body 80°C	PVDF body 110°C
- Gaskets	EPDM - FPM	FPM
- S.G.	< 1.3	

DIMENSIONS



CURVES



T200 pump

Technical features

- Motor power	1.1 kW	
- Max. output	18.5 m ³ /h	
- Max. head	15.5 m	
- Max. fluid temperature	PP body 80°C	PVDF body 110°C
- Gaskets	EPDM - FPM	FPM
- S.G.	< 1.3	

DIMENSIONS



CURVES



T vertical pumps with bottom bearing

Immersed mounting imperative, self priming

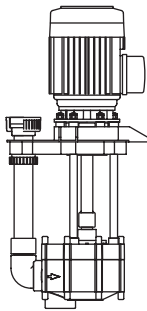
Moteur 230/400 V 3 ph - 50 Hz or 60 Hz upon request- 2,900 rpm

Serial-mounted strainer built into the volute case

Bottom bearing made of 99% alumina ceramic

Standard outlet tube with union nut, optional outlet tube with grooved nozzle with extra charge

Optional square fixation plate 302 mm wide

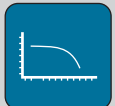


T101 pump

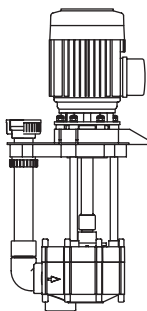
Technical features

- Motor power	0.75 kW	
- Max. output	10 m ³ /h	
- Max head	16 m	
- Max. fluid temperature	PP body 80° C	PVDF body 110° C
- Gaskets	EPDM - FPM	FPM
- S.G.	< 1.3	

DIMENSIONS



CURVES



T141 pump

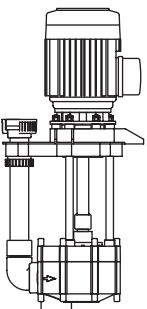
Technical features

- Motor power	1.1 kW	
- Max. output	14.5 m ³ /h	
- Max head	17 m	
- Max. fluid temperature	PP body 80° C	PVDF body 110° C
- Gaskets	EPDM - FPM	FPM
- S.G.	< 1.3	

DIMENSIONS



CURVES



T201 pump

Technical features

- Motor power	1.1 kW	
- Max. output	18.5 m ³ /h	
- Max head	18.5 m	
- Max. fluid temperature	PP body 80° C	PVDF body 110° C
- Gaskets	EPDM - FPM	FPM
- S.G.	< 1.3	

DIMENSIONS



CURVES



T vertical pumps with cantilever shaft and back-impeller

Immersed mounting or out of the tank, self priming

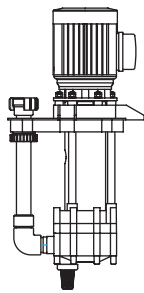
230/400 V 3 ph motor- 50 Hz or 60 Hz upon request - 2,900 rpm

Serial-mounted strainer built into the volute case (or external on T072 pump)

Versions with vertical outlet tube with union nut as standard, optional outlet tube with grooved nozzle

Versions with horizontal outlet with grooved nozzles as standard, optional flange fittings or union nuts

Optional square fixation plate 302 mm wide



T072 pump

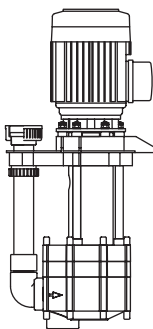
Technical features

- Motor power	0.75 kW	
- Max. output	7 m ³ /h	
- Max. head	10.8 m	
- Max. fluid temperature	PP body 80°C	PVDF body 110°C
- Gaskets	EPDM - FPM	FPM
- S.G.	< 1.4	

DIMENSIONS



CURVES



T102 pump

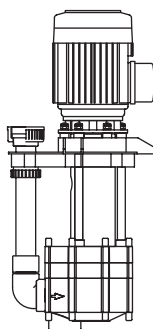
Technical features

- Motor power	1.1 kW	
- Max. output	11 m ³ /h	
- Max. head	14 m	
- Max. fluid temperature	PP body 80°C	PVDF body 110°C
- Gaskets	EPDM - FPM	FPM
- S.G.	< 1.4	

DIMENSIONS



CURVES



T142 pump

Technical features

- Motor power	1.1 kW	
- Max. output	14 m ³ /h	
- Max. head	14.5 m CE	
- Max. fluid temperature	PP body 80°C	PVDF body 110°C
- Gaskets	EPDM - FPM	FPM
- S.G.	< 1.2	

DIMENSIONS



CURVES



T vertical pumps with cantilever shaft and back-impeller

Immersed mounting or out of the tank, self priming

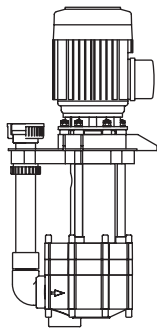
230/400 V 3 ph - 50 Hz or 60 Hz upon request - 2,900 rpm

Serial-mounted strainer built into the volute case

Versions with vertical outlet tube (except T242) with union nut as standard, optional outlet tube with grooved nozzle

On T242 : horizontal outlet only, with grooved nozzles as standard , optional union nuts or flange fittings

Optional square fixation plate 302 mm wide



T202 pump

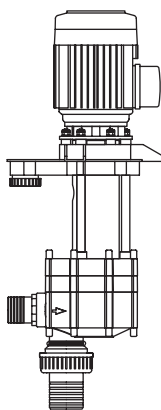
Technical features

- Motor power	1.5 kW	
- Max. output	20 m ³ /h	
- Max. head	17 m	
- Max fluid temperature	PP body 80°C	PVDF body 110°C
- Gaskets	EPDM - FPM	FPM
- S.G.	< 1,25	

DIMENSIONS



CURVES



T242 pump

Technical features

- Motor power	1.5 kW	
- Max. output	22.2 m ³ /h	
- Max. head	17 m	
- Max fluid temperature	PP body 80°C	PVDF body 110°C
- Gaskets	EPDM - FPM	FPM
- S.G.	< 1,3	

DIMENSIONS



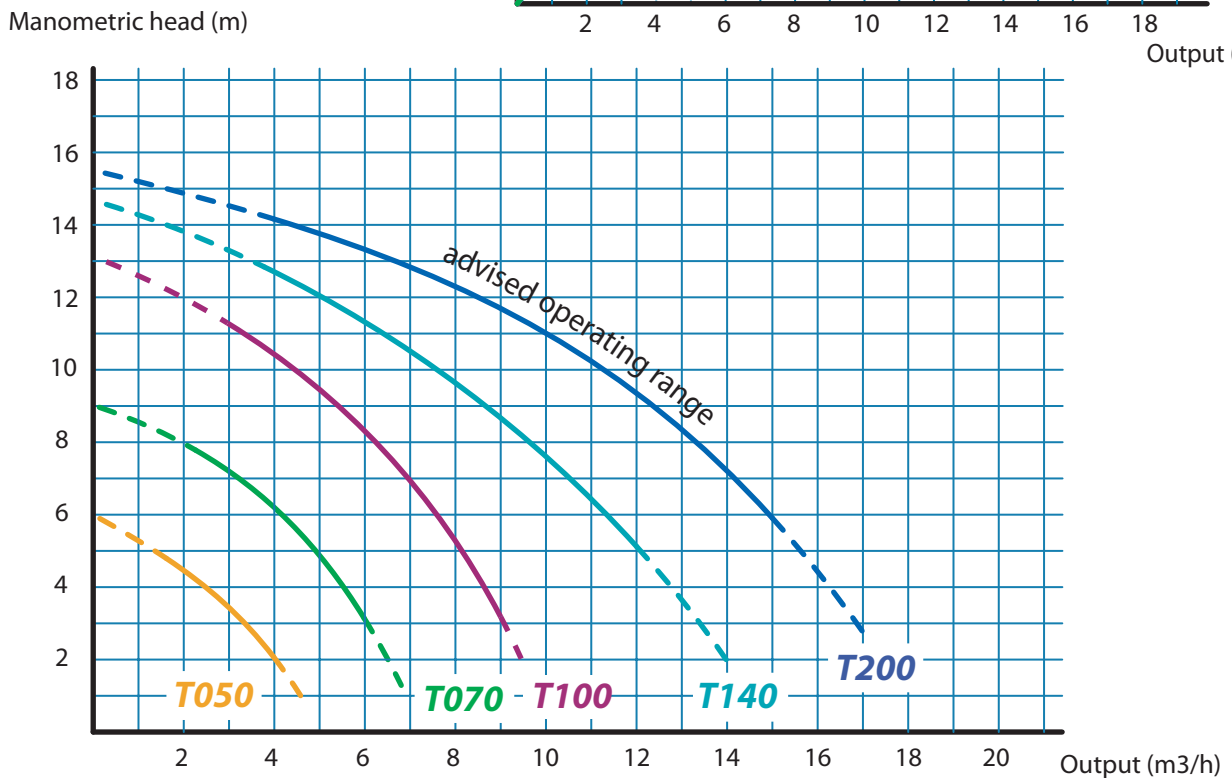
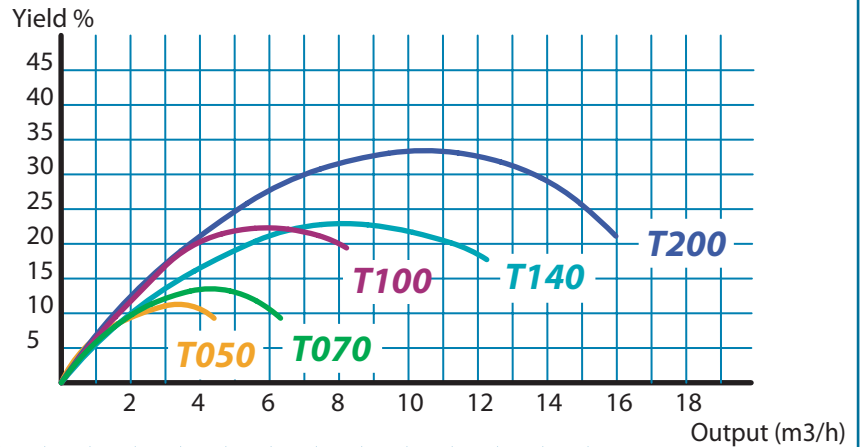
CURVES



T050 to T200 pumps

Vertical pumps with cantilever shaft

- Manometric head in meters
- Output in m³/h
- Yield in %

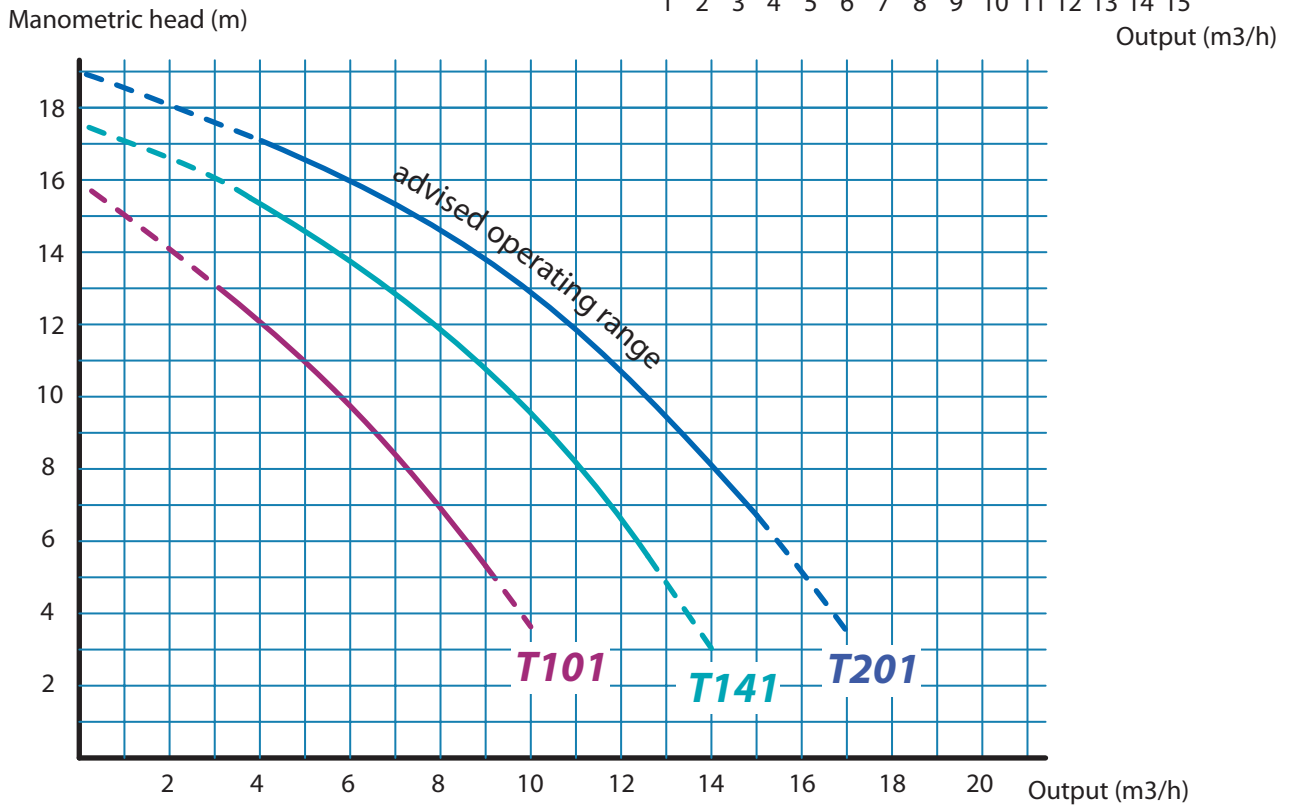
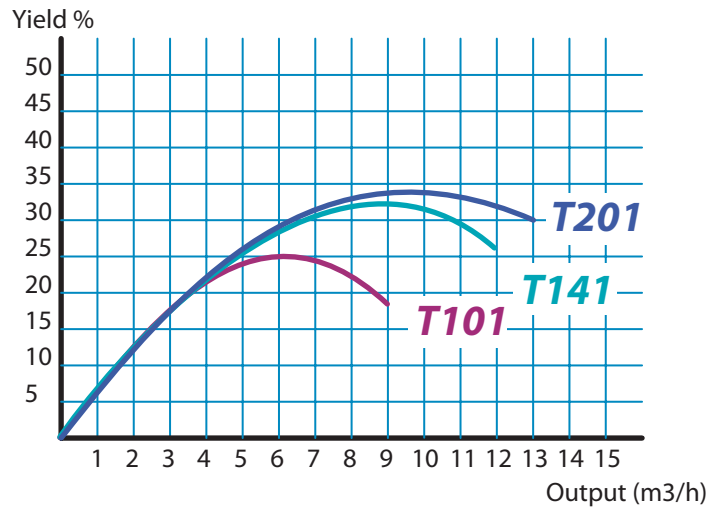




T101 to T201 pumps

Vertical pumps with bottom bearing

- Manometric head in meters
- Output en m³/h
- Yield in %

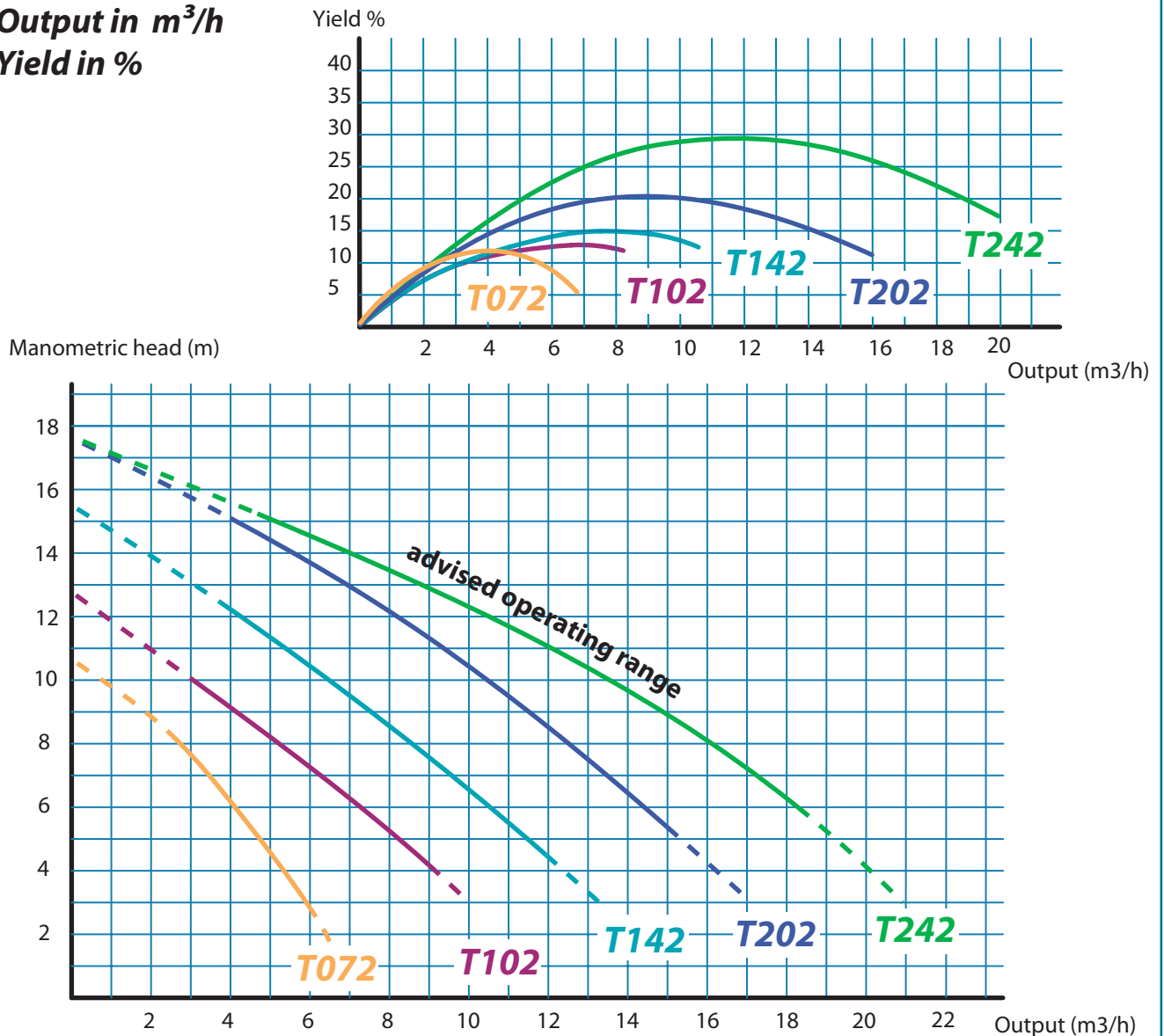




T072 to T242 pumps

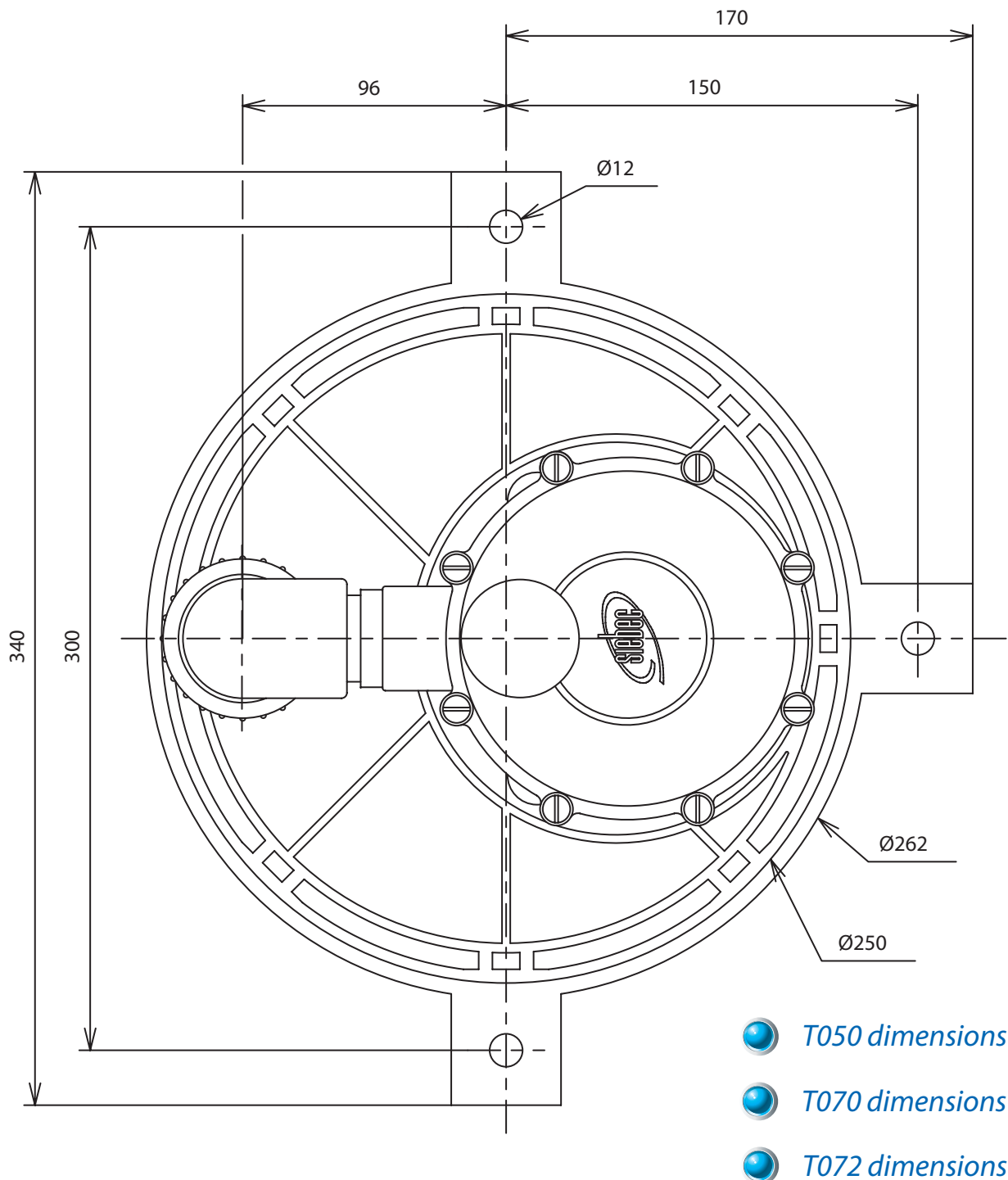
Vertical pumps with back-impeller

- Manometric head in meters
- Output in m³/h
- Yield in %



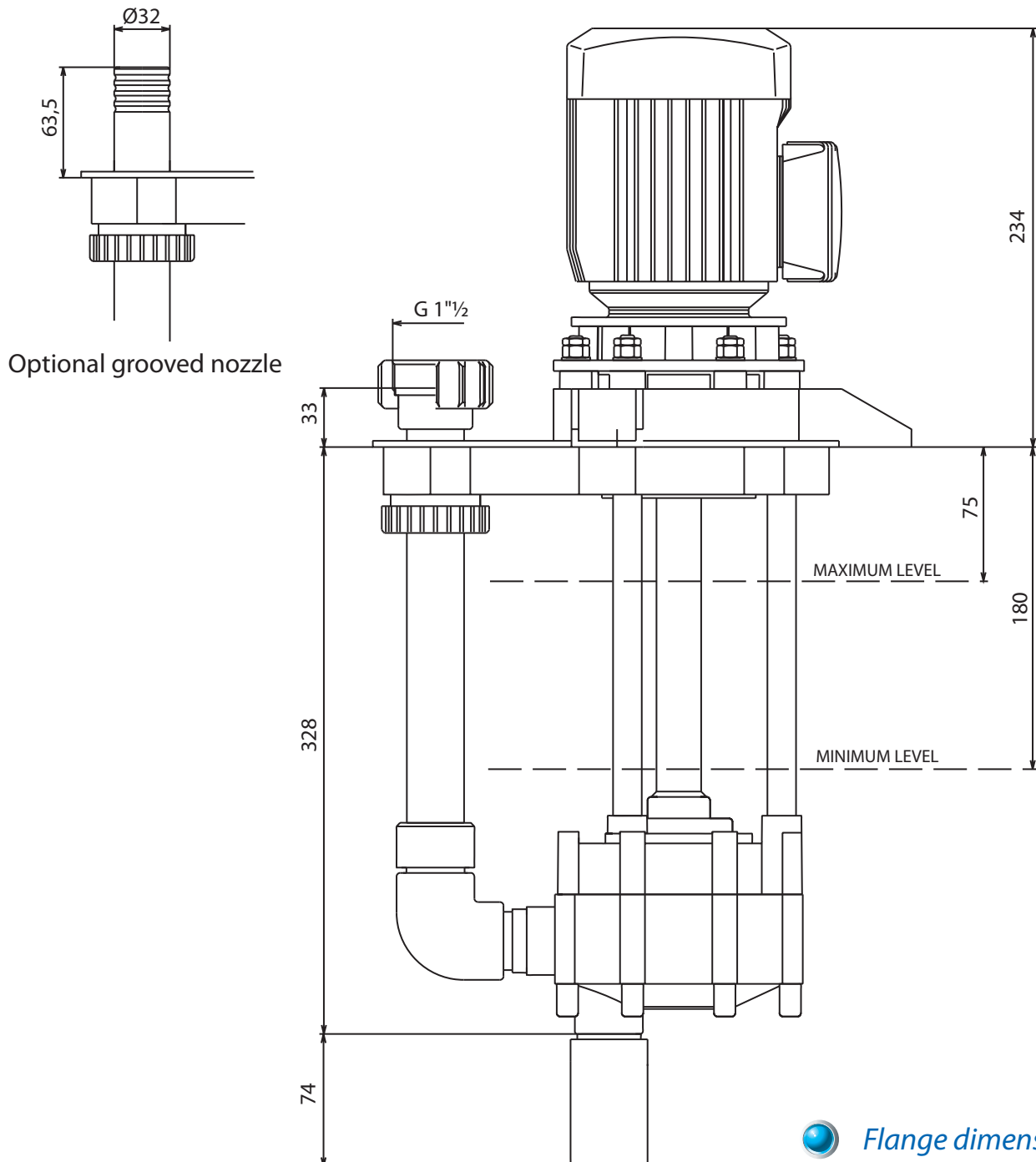


T050 - T070 - T072 pumps





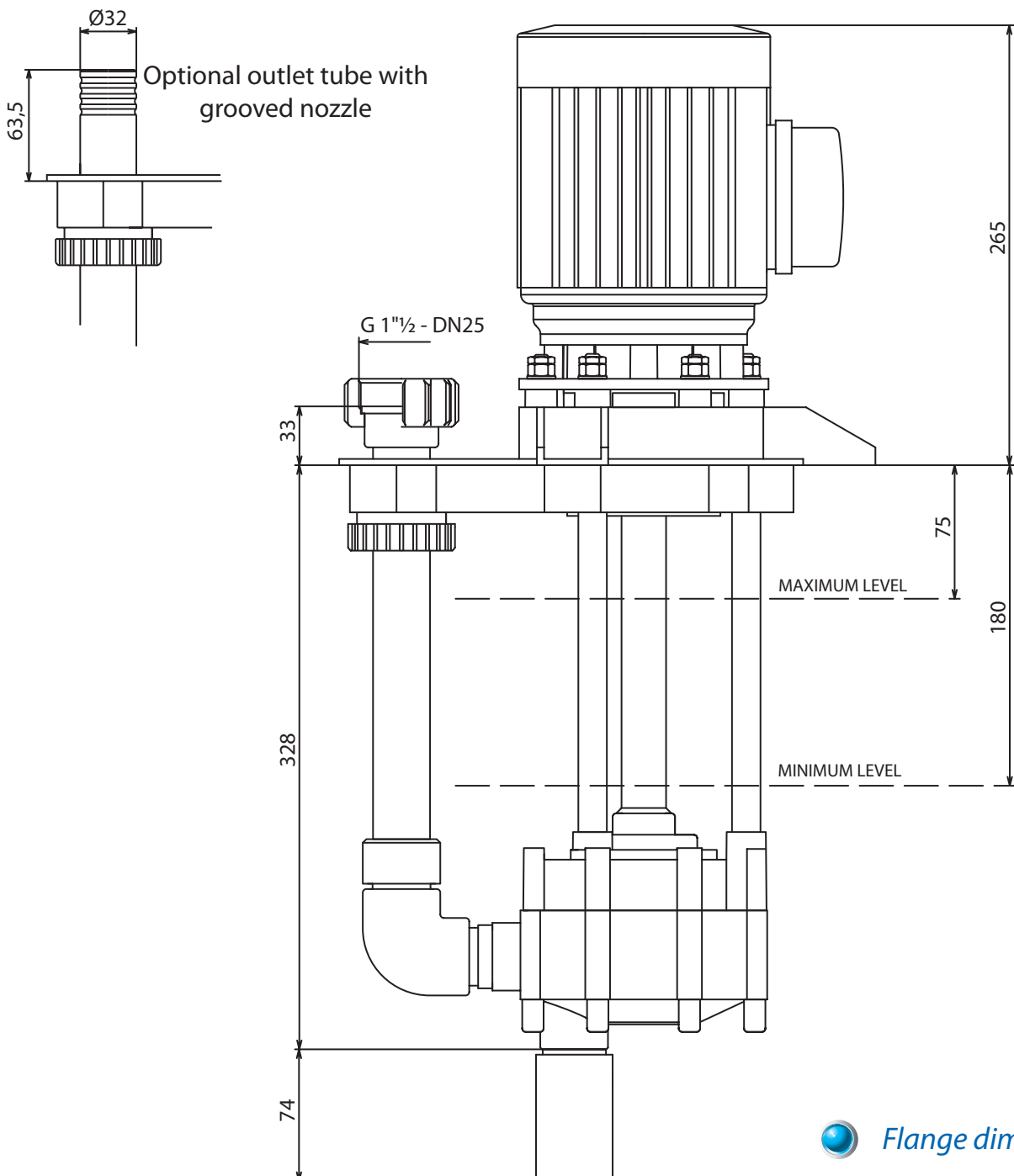
T050 pump



Flange dimensions



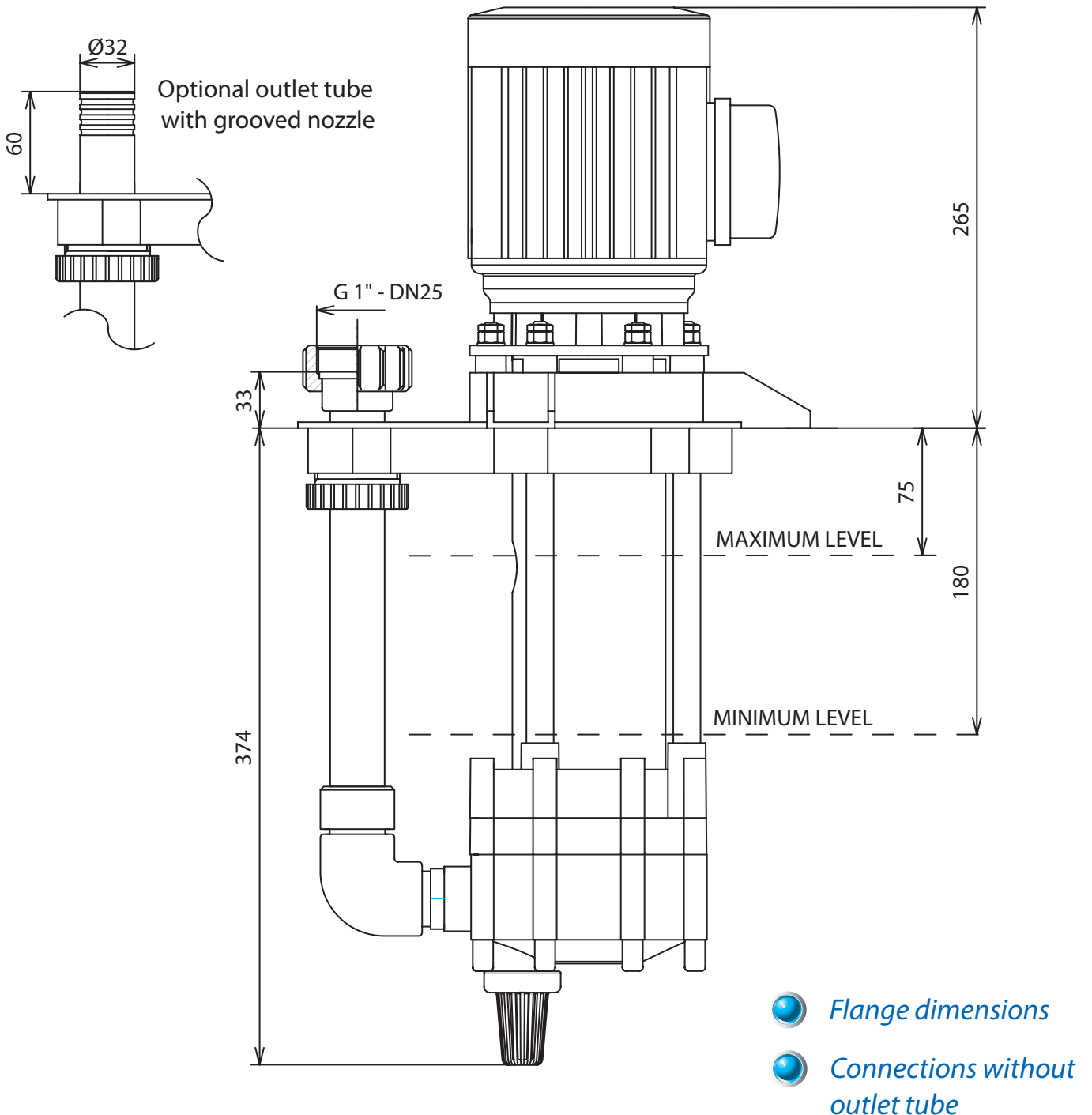
T070 pump



Flange dimensions

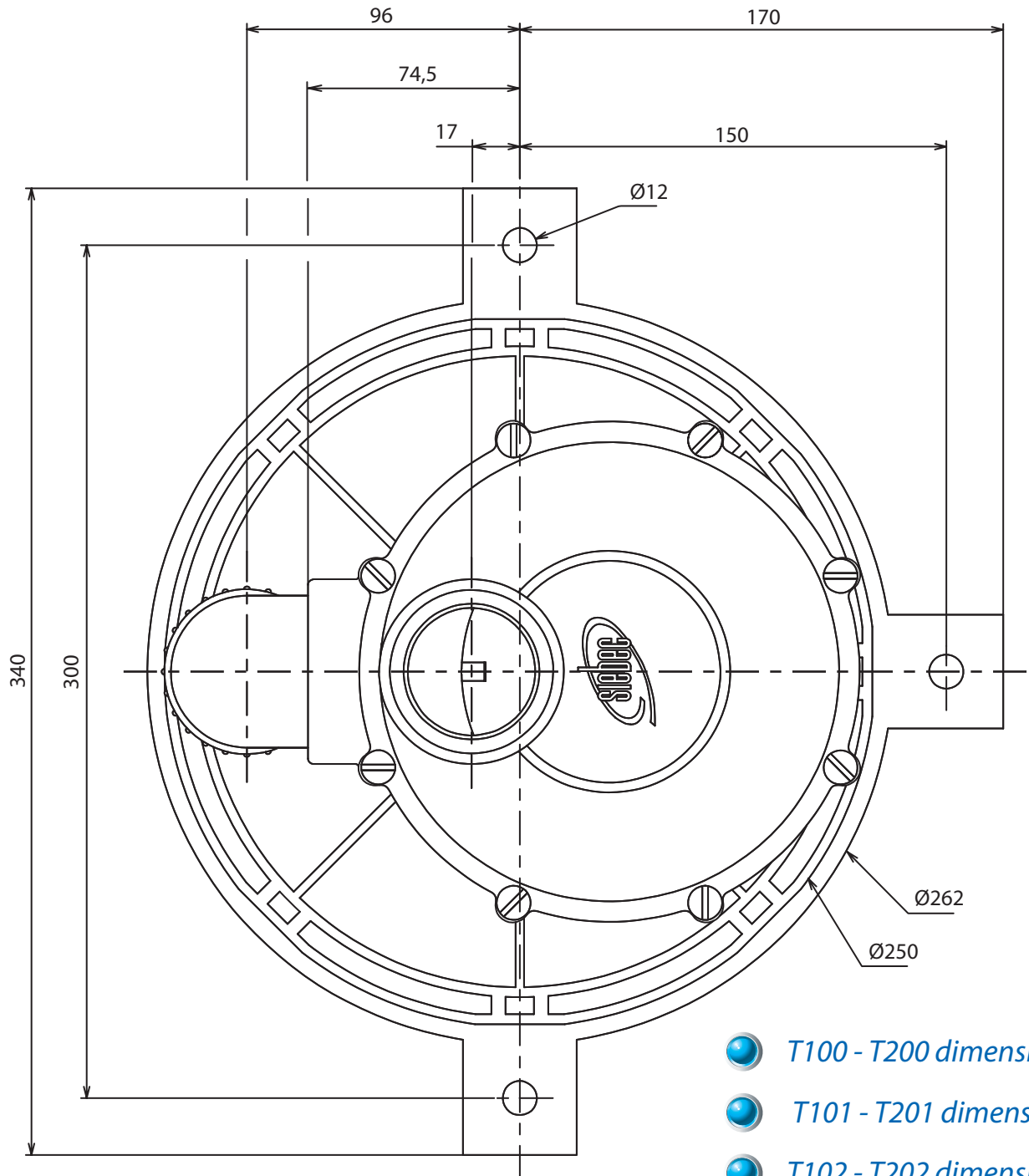






T072 pump





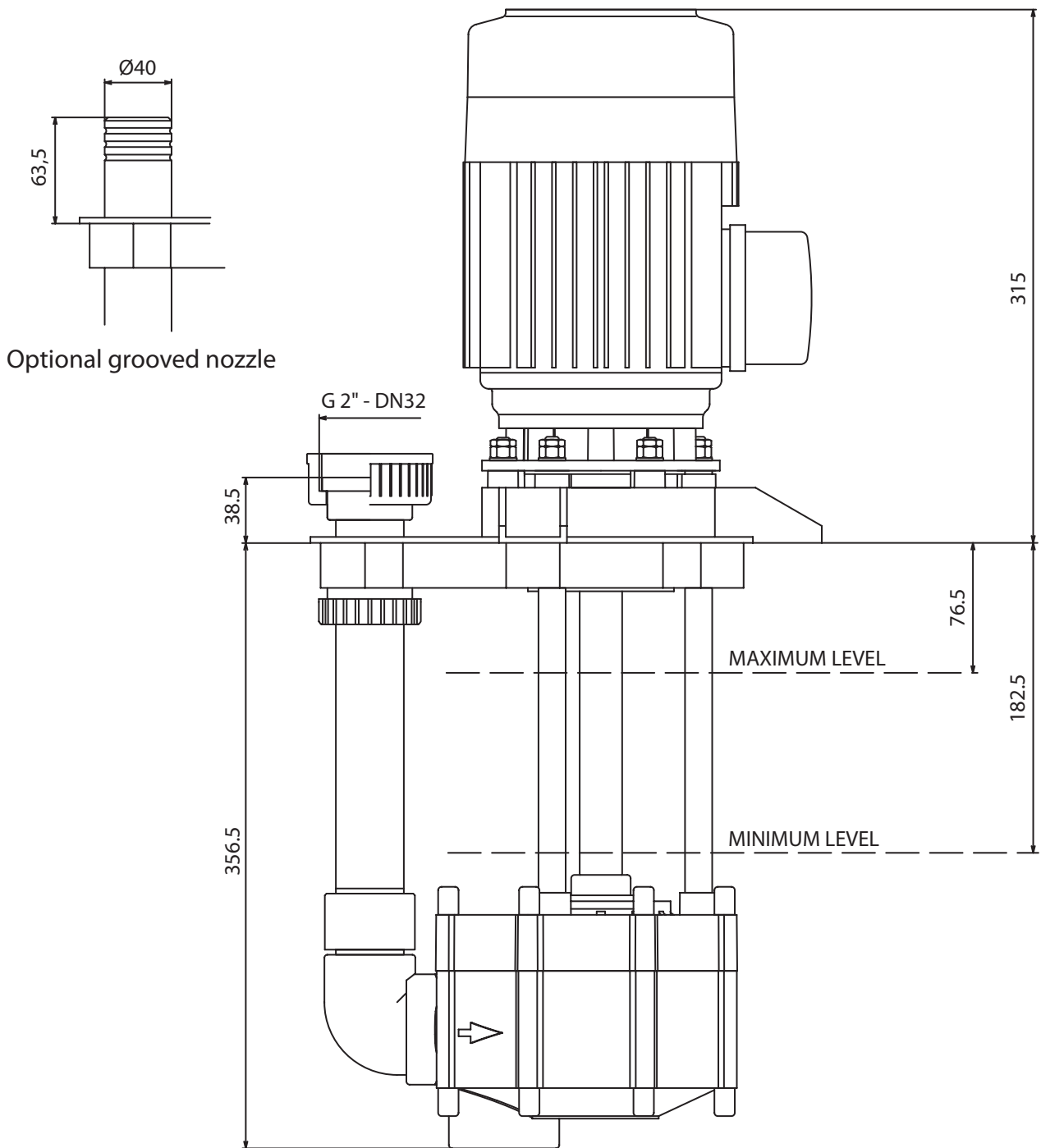
T100 to T242 pumps



-  T100 - T200 dimensions
-  T101 - T201 dimensions
-  T102 - T202 dimensions
-  T242 dimensions



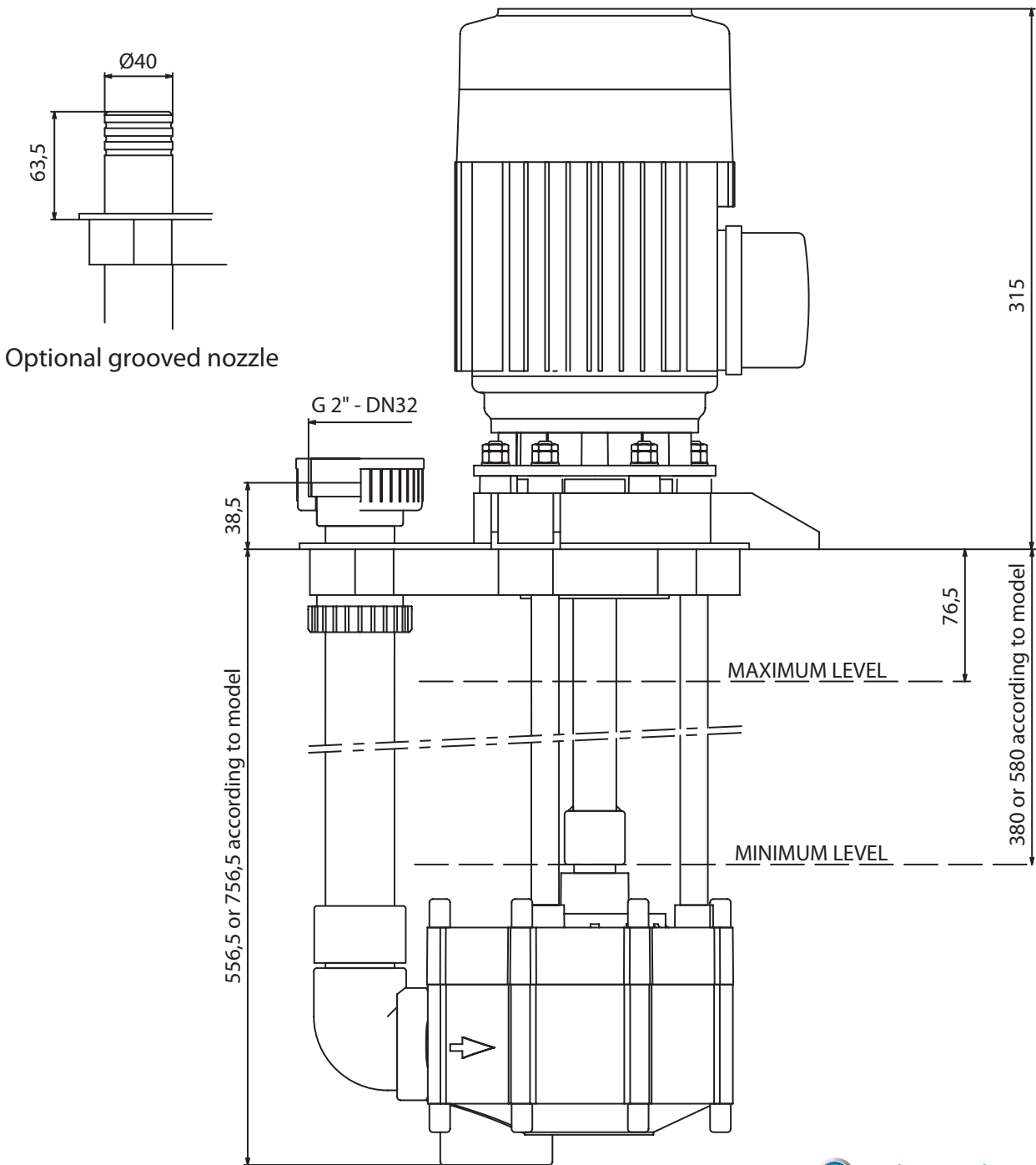
T100 to T200 pumps



Flange dimensions



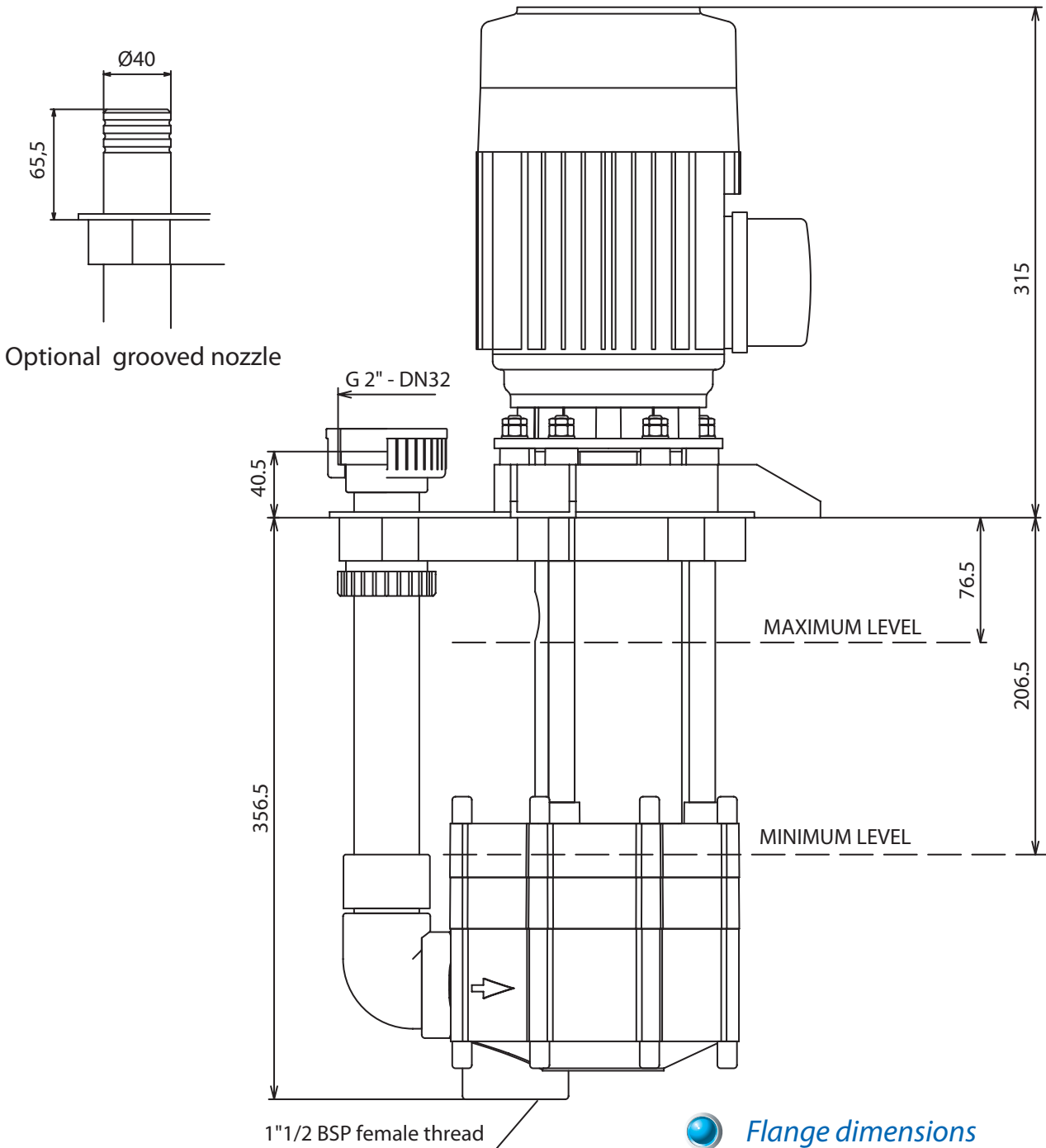
T101 to T201 pumps



Flange dimensions



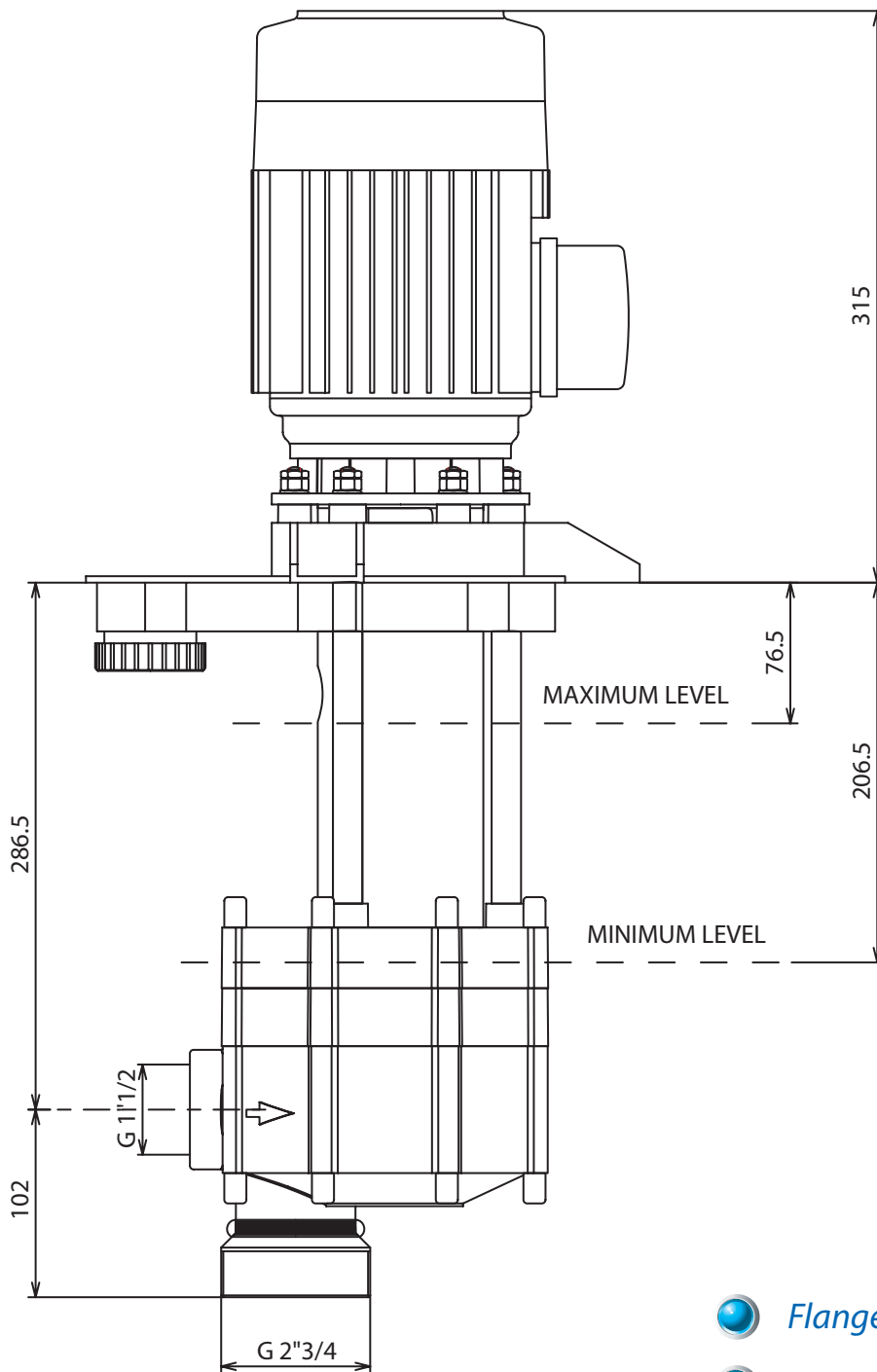
T102 to T202 pumps





- Flange dimensions
- Connections without outlet tube



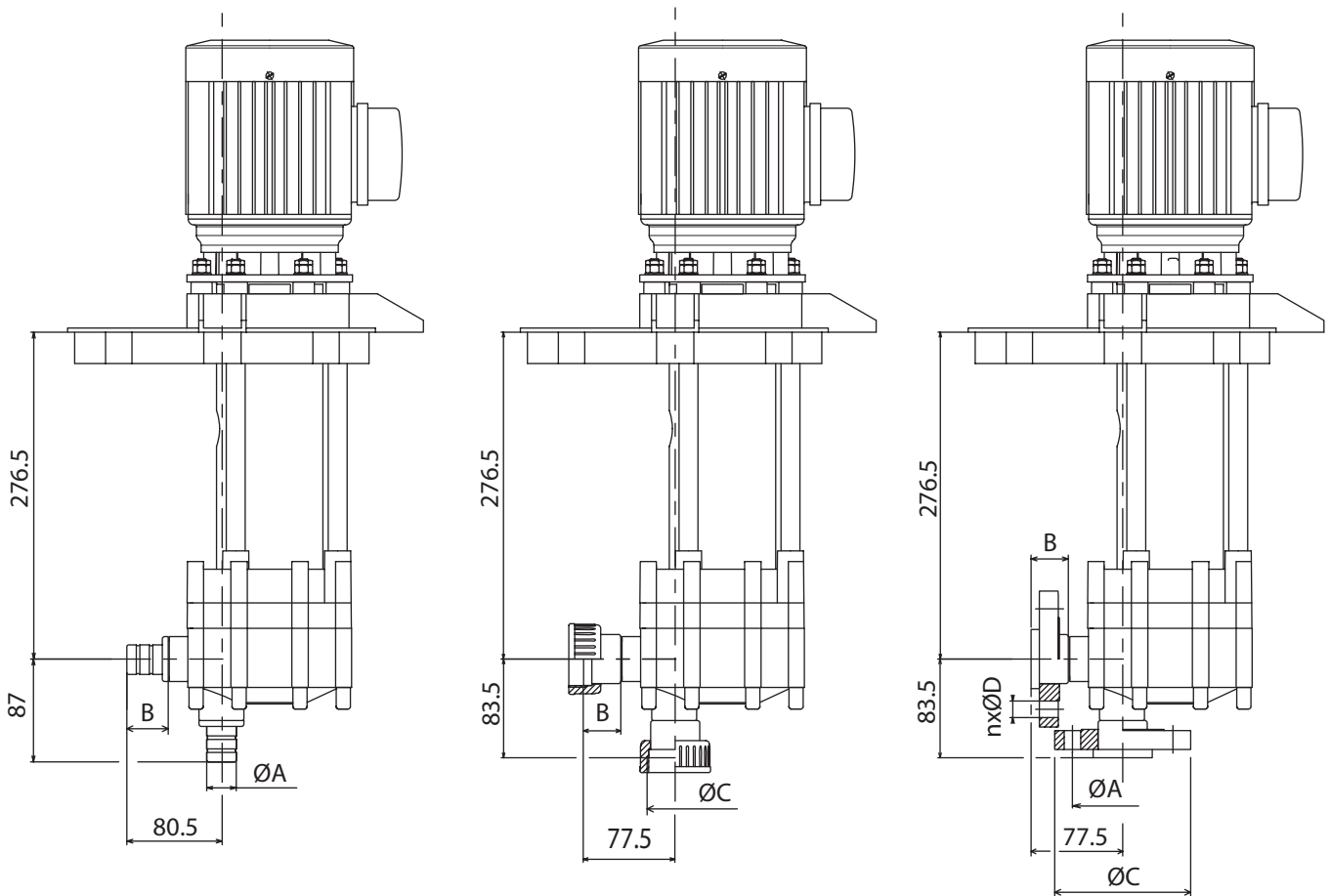
T242 pump



-  *Flange dimensions*
-  *Connections*



T072 pump connections without outlet tube

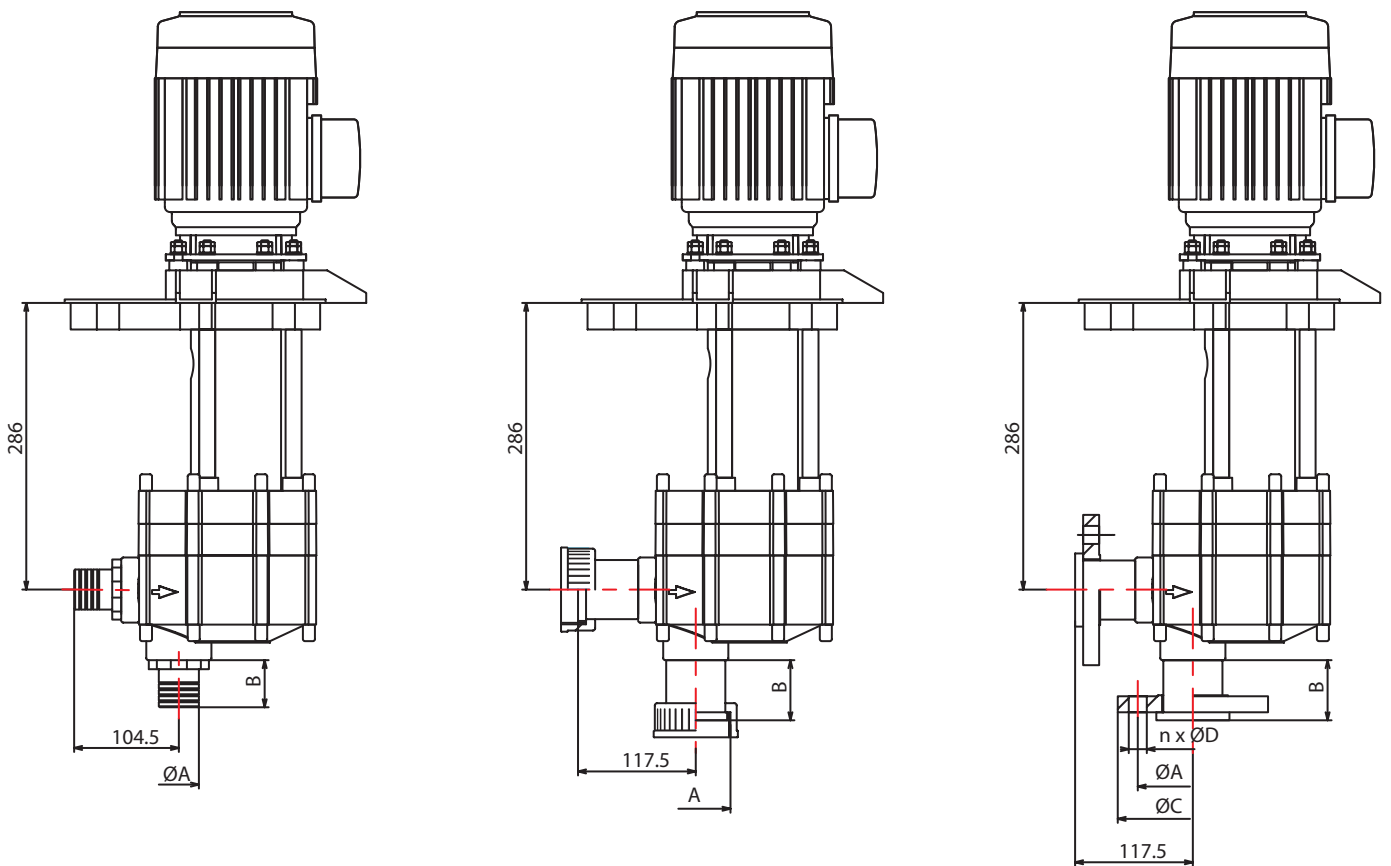


Pumps		Grooved nozzles ØA - B	Union nuts ØC (DN) - B	Flange fittings ØC - ØA - nxØD - B
T072	Inlet	Ø25 - 35	G1"1/2 - DN25 - 31,5	Ø115 - Ø85 - 4xØ14 - 31,5
	Outlet			

T072 pump



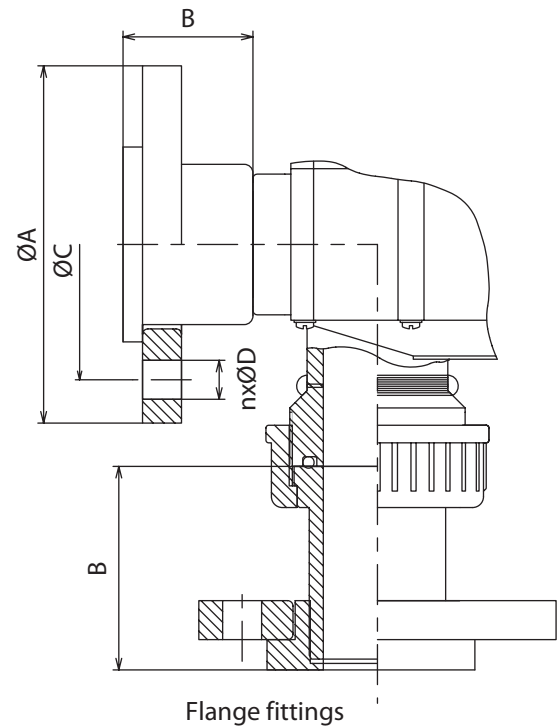
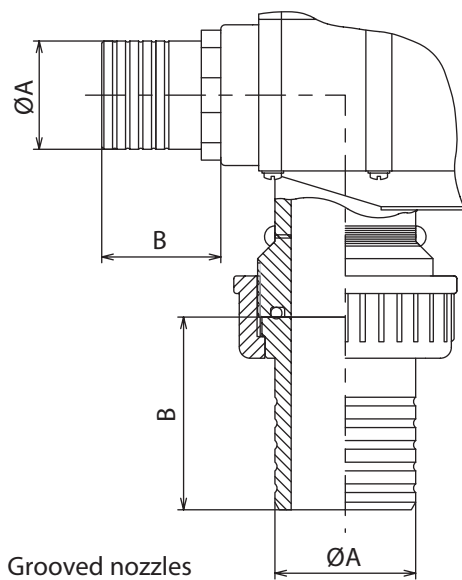
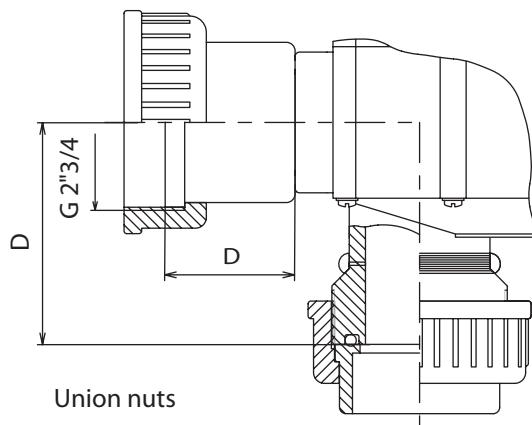
T102 to T202 pumps connections without outlet tube



Pumps		Grooved nozzles ØA - B	Union nuts ØC (DN) - D	Flange fittings ØC - ØA - nxØD - B
T102 - T142	Inlet	40 - 47	G2"1/4 - DN40 - 60	150 - 110 - 4x18 - 60
	Outlet			
T202	Inlet	50 - 55	G2"3/4 - DN50 - 60	165 - 125 - 4x18 - 60
	Outlet			



T242 pump connections



Pump		Grooved nozzles	Union nuts	Flange fittings
		ØA - B	ØC (DN) - D	ØA - ØC - nxØD - B
T242	Inlet	Ø65 - 89	G2"3/4 - DN50 - 102,5	Ø165 - Ø125 - 4x18 - 94
	Outlet	Ø50 - 55	G2"3/4 - DN50 - 60	Ø165 - Ø125 - 4x18 - 60

