

Generalities

Close coupled pumps **CHE-M** are intended for corrosive liquids pumping.

They profit of an optimized design to ensure very short intervention time and a maintenance even by non specialist personnel.

Model 63/80 - 80/110 – 90/125 - 90/130 for characteristics up to 60 m³/h 264 US gpm) and 25 mcl* (82 ft).

*For higher performances, see type 185.



Construction

Parts in contact with fluid pumped are realized of thick walled moulded polypropylene.

Sealing is made by mechanical seal with alumina stationary ring with high hardness.

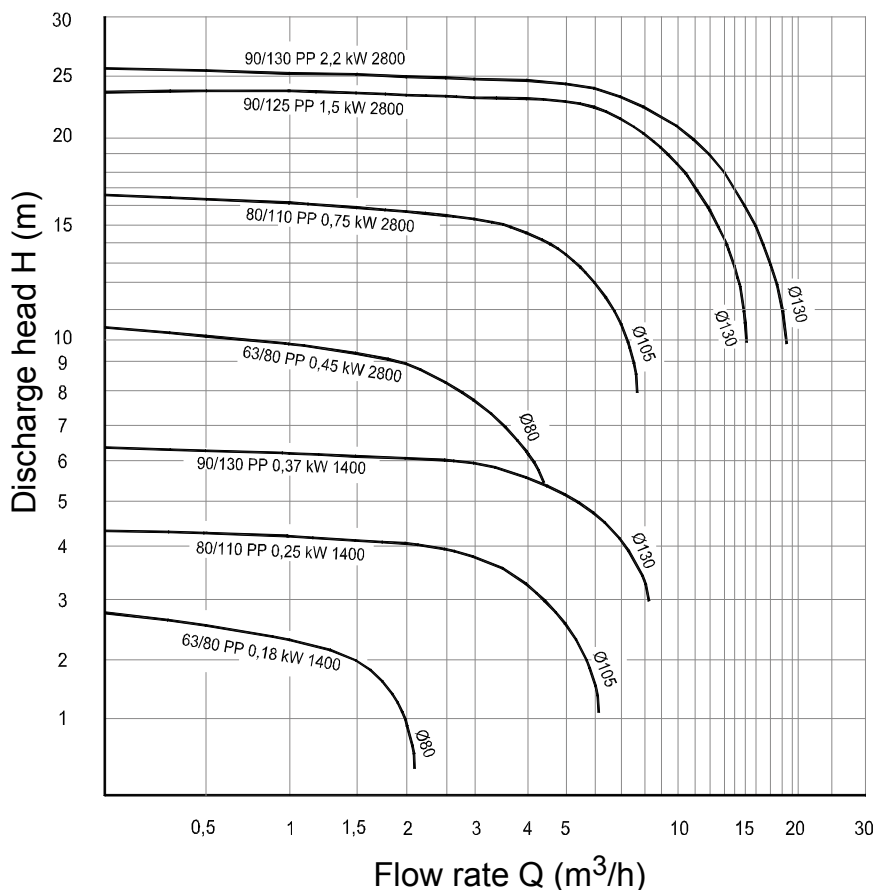
For pumping of charged or crystallizing fluids, the face of rotating seal is made of silicium carbide, carbon for others liquids.

The elastic diaphragm of the mechanical seal, and all O-rings are designed to resist to acid or made of special Viton B.

Main advantages

- **Single and robust sealing with anti acid O-rings.**
- **Reliability and robustness due to very thick injection plastic design.**
- **Staying with ribs to avoid any deformation.**
- **IEC normalized motors.**
- **Internal parts with steel core and polypropylene duplicate molding.**
- **Simplified maintenance.**

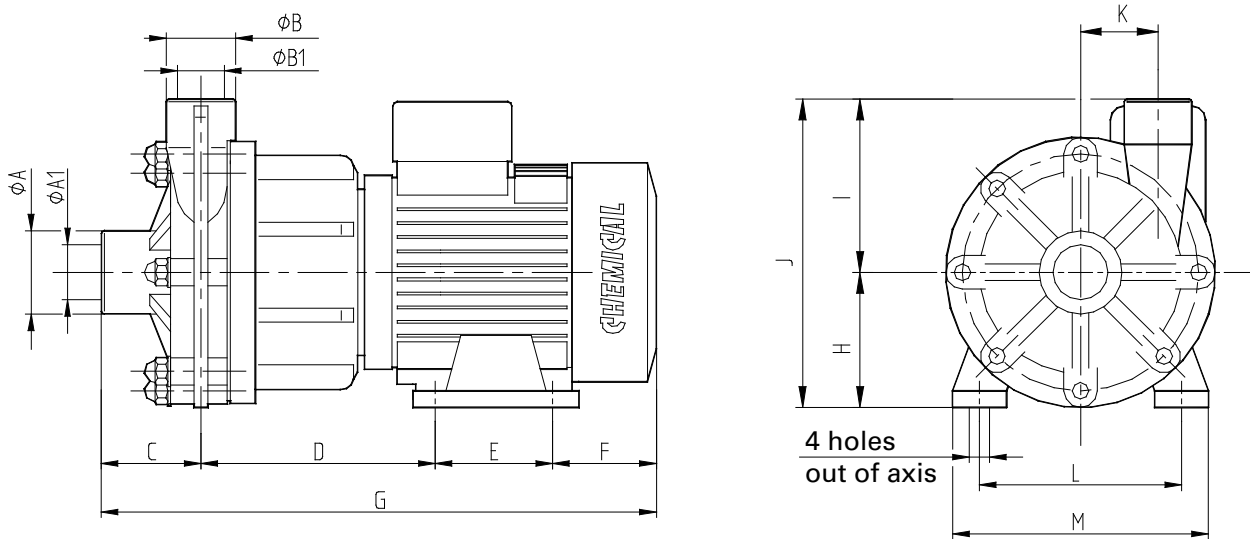
Diagram



Application fields

- **Clear and lightly charged fluids transfer.**
- **Effluents transfer.**
- **Scrubbers.**
- **Electroplating baths.**
- **Sea water, Aquariums.**

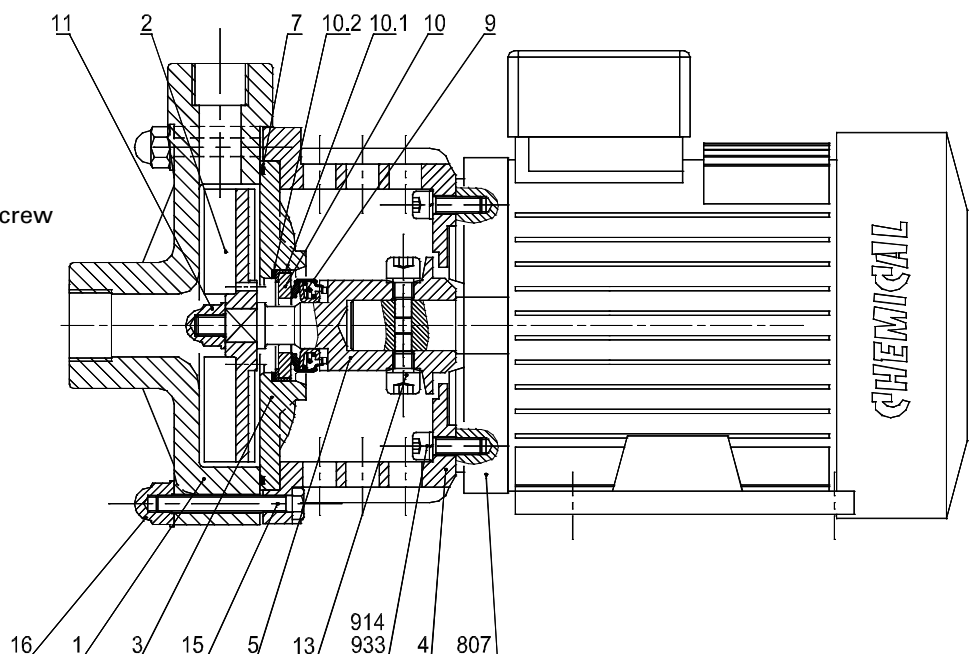
Dimensional drawing



Min-1	Type	ϕA	Diam.A1 threaded BSP	ϕB	Diam.B1 threaded BSP	C	D	E	ϕe	F	G	H	I	J	K	L	M
2800	63/80 0.45kW	45	20x27 3/4"	40	15x21 1/2"	67	138	90	7	59	354	71	100	171	36	112	126
2800	80/110 0.75kW	60	26x34 1"	50	20x27 3/4"	72	164	100	9	66	402	80	125	205	58	125	157
2800	90/125 1.5kW	60	26x34 1"	50	20x27 3/4"	72	170	100	10	61	403	90	125	215	58	140	172
2800	90/130 2.2kW	60	33x42 1 1/4"	50	26x34 1"	72	170	125	10	63	430	90	125	215	58	140	172
1400	63/80 0.18kW	45	20x27 3/4"	40	15x21 1/2"	67	138	90	7	51	346	71	100	171	36	112	126
1400	80/110 0.55kW	60	26x34 1"	50	20x27 3/4"	72	164	100	9	66	402	80	125	205	58	125	157
1400	90/130 0.55kW	60	33x42 1 1/4"	50	26x34 1"	72	164	100	9	66	402	80	125	205	58	125	157

Cross section drawing

- Rep.1 Volute casing
- Rep.2 Impeller with 4 vanes
- Rep.3 Reinforced rear casing
- Rep.4 Ribbed lantern
- Rep.5 Lined shaft
- Rep.7 O-ring volute casing
- Rep.9 Rotating seal
- Rep.10 Stationary ring +10.1/2
- Rep.11 Impeller nut
- Rep.13 Shaft locking screw
- Rep.15 Volute casing locking screw
- Rep.16 Volute casing cap nut



FP 30.01 EN