

Generalities

The horizontal single stage close couple pumps of the range ECO-I are intended for the pumping of fluids requiring stainless steel construction in the most various fields of industry. They complete the range HMI (more than 40 000 pumps delivered) and they profit by the know-how of SOMEFLU. The range of ECO-I pumps offers flow rates up to 100 m³/h (440 US gpm) and a discharge head up to 70 m (230 ft). For higher performances refer to the brochure HMI with chemical normalized hydraulics.



Construction

All components in contact with the pumped liquid are made of stainless steel.

- X2 Cr Ni Mo 17-12-2 (AISI 316L).

ATEX Conformity 

For the EC zone the ECO-I pumps are available certified as per ATEX 94/9/CE.

II 2/3 GcT4 (others on demand).

Voluntary certification INERIS 06 ATEX 3005X.

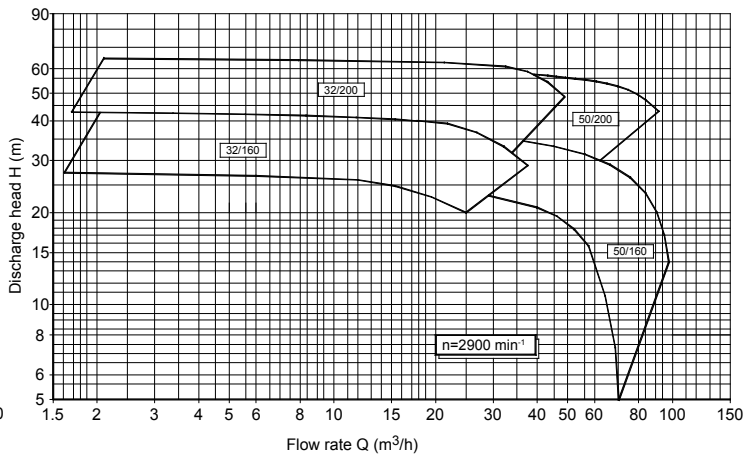
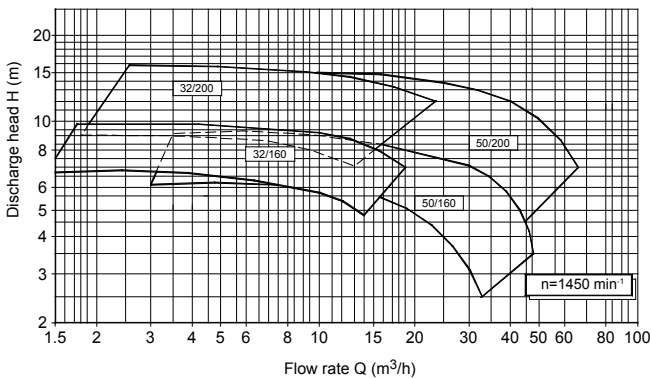
Sealing

The ECO-I pumps are equipped with a single acting mechanical seal.

- Running faces: Sic/Sic or Sic/C
- Gaskets : FPM or EPT

For applications with **magnetic drive** refer to the brochures IMA, HMI-M and NI-M.

General diagrams

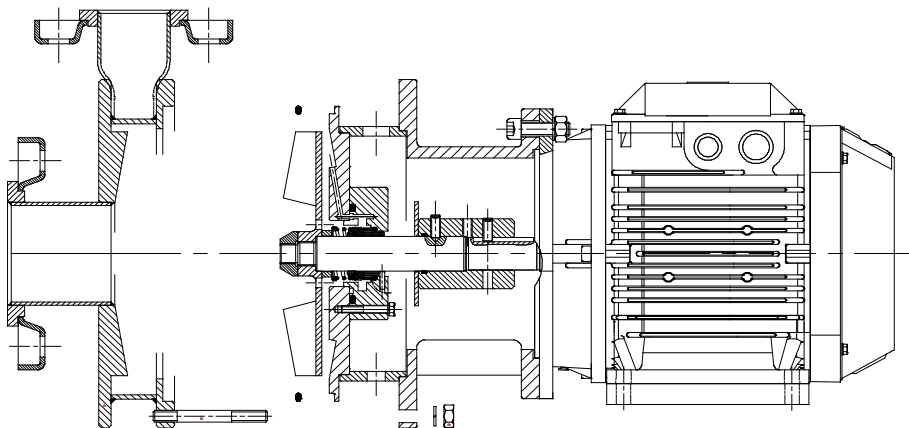


> SECURITY OF USE

Casted impeller, casing welded with thick waled components and parts machined from block.

> SIMPLIFIED MAINTENANCE

Limited number of components, Optimized design.

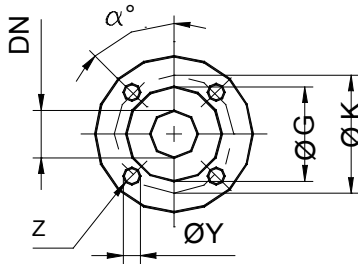
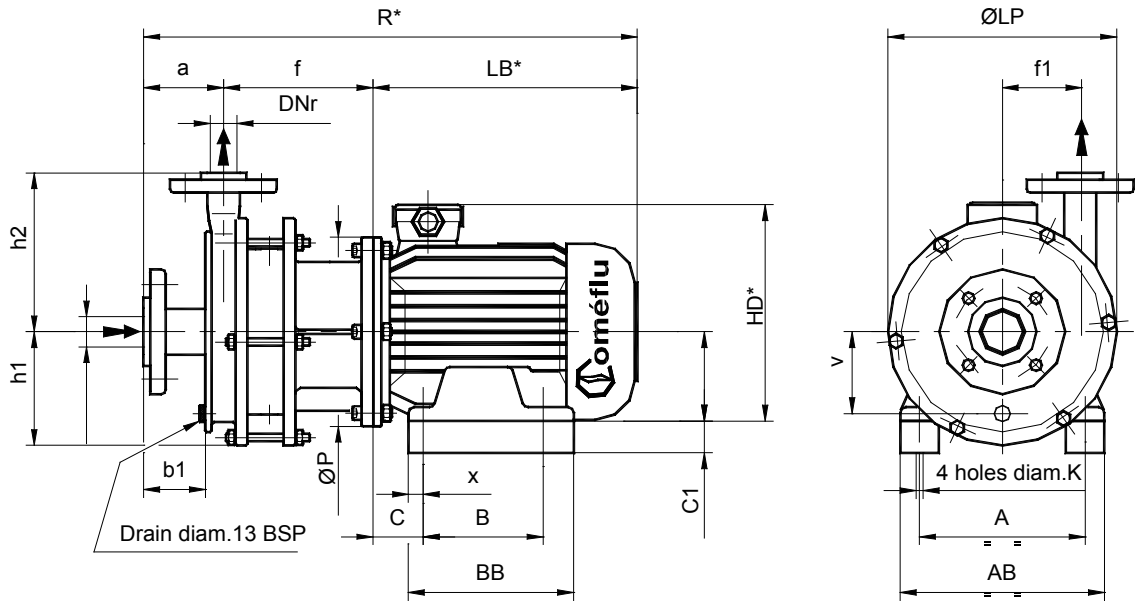


> EASY DISMANTLING

Dismantling of motor/pump without difficulties even after several years of operation in corrosive ambience.

> VERY ATTRACTIVE PRICES

Motors as per IEC standards - Manufacture highly automatized.



Flanges ISO PN16					
DN	K	Y	Z	G	α°
32	100	18	4	60	45°
50	125	18	4	90	45°
80	160	18	8	125	22°30'

ECO-I	Motors		Flanges		PUMP DIMENSIONS											MOTOR DIMENSIONS										
	Type	P (Kw)			DNa	DNr	H	a	f	f1	h1	h2	b1	LP	V	C1	A	AB	B	BB	C	HD	K	LB	P	R
		2900	1450																							
32/160	100 L	3	2,2/3	50	32	100	105	196	81	135	195	81	270	88	60	160	196	140	165	63	238	12	290	250	591	12
	112 M	4				112	105	196	81	135	195	81	270	88	48	190	220	140	165	70	250	12	290	250	591	12
	132 S	5,5/7,5				132	105	216	81	135	195	81	270	88	28	216	250	140	170	89	280	12	350	300	671	16
32/200	100 L	3	2,2/3	50	32	100	105	196	102	150	210	81	300	108	60	160	196	140	165	63	238	12	290	250	591	12
	112 M	4	4			112	105	196	102	150	210	81	300	108	48	190	220	140	165	70	250	12	290	250	591	12
	132 S	5,5/7,5				132	105	216	102	150	210	81	300	108	28	216	250	140	170	89	280	12	350	300	671	16
	132 M	9/11				132	105	216	102	150	210	81	300	108	28	216	250	178	208	89	307	12	387	300	708	16
	160 MP	15				160	105	246	102	150	210	81	300	108	20	254	294	210	294	108	368	14	468	350	819	20
50/160	100 L	3	2,2/3	80	50	100	115	199	81	135	195	88	270	93	60	160	196	140	165	63	238	12	290	250	604	12
	112 M	4	4			112	115	199	81	135	195	88	270	93	48	190	220	140	165	70	250	12	290	250	604	12
	132 S	5,5/7,5				132	115	219	81	135	195	88	270	93	28	216	250	140	170	89	280	12	350	300	711	16
	132 M	9/11				132	115	219	81	135	195	88	270	93	28	216	250	178	208	89	307	12	387	300	748	16
	160 MP	15				160	115	249	81	135	195	88	270	93	20	254	294	210	294	108	368	14	468	350	859	20
50/200	100 L	3	2,2/3	80	50	100	105	199	102	150	210	76	300	115	60	160	196	140	165	63	238	12	290	250	594	12
	112 M	4	4			112	105	199	102	150	210	76	300	115	48	190	220	140	165	70	250	12	290	250	594	12
	132 S	5,5/7,5	5,5			132	105	219	102	150	210	76	300	115	28	216	250	140	170	89	280	12	350	300	674	16
	132 M	9/11				132	105	219	102	150	210	76	300	115	28	216	250	178	208	89	307	12	387	300	711	16
	160 MP	15				160	105	249	102	150	210	76	300	115	20	254	294	210	294	108	368	14	468	350	822	20
	160 L	18,5				160	105	249	102	150	210	76	300	115	20	254	294	254	294	108	395	14	495	350	849	20

Dimensions in mm (subject to change)

*ATTENTION: subject to change depending on manufacturers