

### Generalities

The horizontal single stage close coupled pumps of the range HMI-MT are intended for the pumping of hot fluids requiring stainless steel construction in the most various field of industrial activities.

The range of HMI- MT offers flow rates up to 60 m<sup>3</sup>/h (264 US gpm) and a discharge head up to 30 mcl (98 ft)

Maximum service temperature : 200°C



### Construction

All components in contact with the pumped liquid are made of stainless steel.

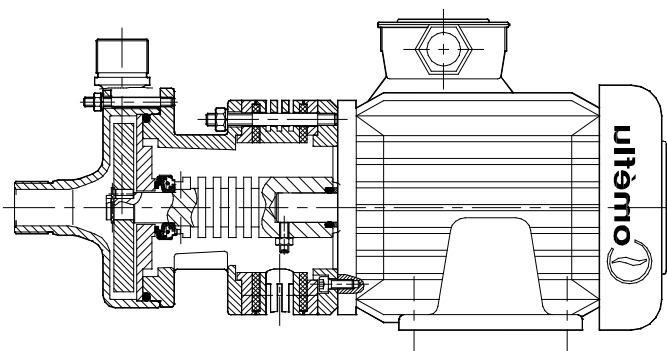
- X2 Cr Ni Mo 17-12-2. (AISI 316 L)

### Thermal barrier

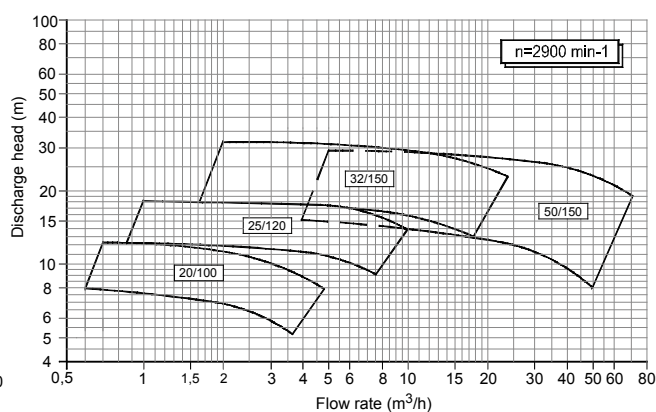
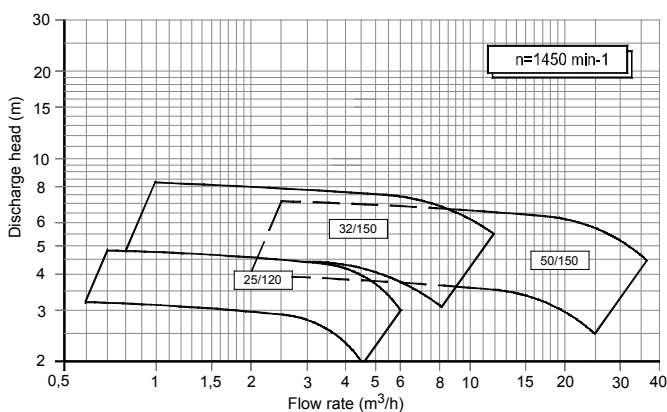
The motor is isolated from hot part of the pump with a thermal barrier that allows standard construction without any external cooling system.

### Sealing

The HMI-MT pumps can be equipped with different mechanical seals accordingly to the pumped fluid.



### General diagrams



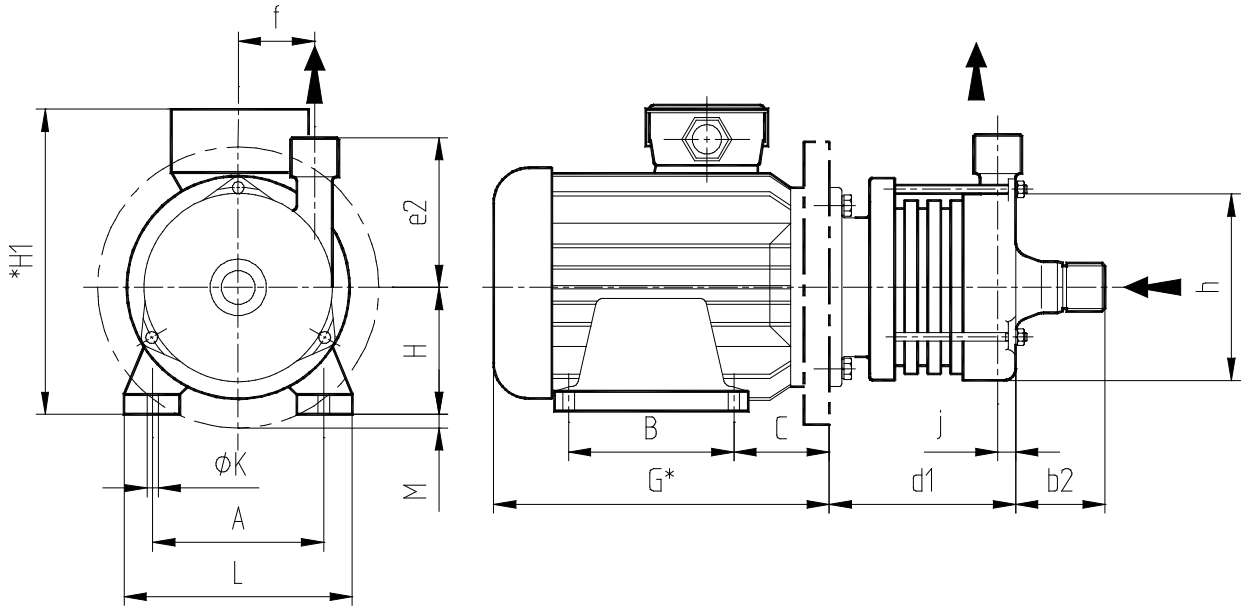
### Application fields

- Food and pharmaceutical industry, nuclear industry.
- Hot liquids (>180°C with thermal barrier).
- Frying oil.

### Main advantages

- Reliability and robustness due to a moulded construction.
- Open impeller for slightly charged liquids.
- Closed impeller for hot liquids.
- Simplified maintenance.
- Dismantling without special tools.

**STAINLESS STEEL CLOSE COUPLED PUMPS**  
**HMI-MT FOR MEDIUM TEMPERATURE**



Types	Flanges		Moteur TRI-IP55													Motor dimensions											
	DNA	DNR	2900	1450											Weight												
			kW	kW	A	B	C	G*	H	H1*	K	L	FT	M		kg	b1	b2	b3	e1	e2	e3	f	j	h	d1*	
20/100	25	20	0,45		100	80	32	185	63	145	7	127	85	0	6,5	62	48	48	99	90	90	43	11	110	125		
	"	"	0,75		125	100	50	215	80	203	9	157	115	0	8	"	"	"	"	"	"	"	"	"	135		
	"	"	1,1		"	"	"	"	"	"	"	"	"	0	10	"	"	"	"	"	"	"	"	"	"	"	
25/120	32	25	1,1	0,75	125	100	50	216	80	203	9	157	115	0	8	77	58	58	119	110	110	50	12,5	131	145		
			2,2		140	125	56	245	90	223	10	172	"	0	16	"	"	"	"	"	"	"	"	"	"	155	
32/150	40	32	2,2	1,1	140	100	56	245	90	223	10	172	115	0	16	83	65	65	138	130	130	63	16,5	160	180		
			3		160	140	63	290	100	238	12	196	130	0	20	"	"	"	"	"	"	"	"	"	"	170	
			4		190	"	70	"	112	250	"	220	"	0	22	"	"	"	"	"	"	"	"	"	"	"	180
			5,5		216	"	89	350	132	280	"	250	265	18	33	"	"	"	"	"	"	"	"	"	"	"	200
50/150	65	50	3	2,2	160	140	63	290	100	238	12	196	130	0	18	65			133			55	26	"	190		
			4		190	"	70	"	112	250	"	220	"	0	22	"	"	"	"	"	"	"	"	"	"	"	
			5,5		216	"	89	350	132	280	"	250	265	18	33	"	"	"	"	"	"	"	"	"	"	"	220
			7,5		"	"	"	"	"	"	"	"	"	"	18	29	"	"	"	"	"	"	"	"	"	"	"
			11**		"	178	"	387	"	307	"	"	"	"	18	54	"	"	"	"	"	"	"	"	"	"	"

G\* and H\* subject to change depending on motors manufacturers

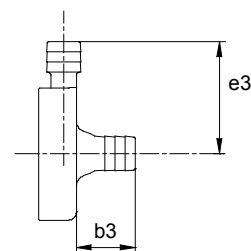
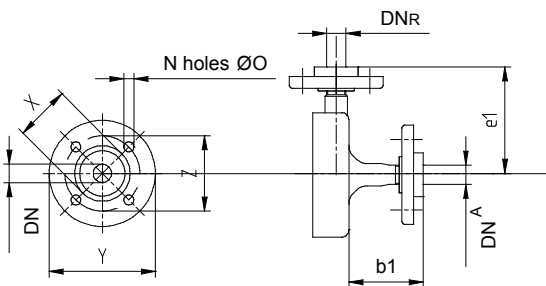
11\*\* : 132 size

d1\* : Subject to change depending on type of mechanical seal

Dimensions in mm ( subject to change )

Flanges - ISO PN16					
DN	Z	Y	O	N	X
10	60	90	14	4	
15	65	95			
20	75	105			
25	85	115			
32	100	140	18		40
40	110	150			50
50	125	165			60
65	145	185			73
					90
					106

FLUTED OR THREADED CONNECTIONS		
Type of pumps	Threaded BSP Suction & Discharge	Fluted for soft hose Suction & Discharge
10/75	Ø 1/4"	Ø 13
20/100	Ø 3/4"	Ø 27
25/120	Ø 1"	Ø 34
32/150	Ø 1 1/4"	Ø 42



FP 02.04 EN

