

### Generalities

The horizontal single stage close coupled pumps of the range HMP-N/S are intended for the pumping of clear or lightly charged corrosive liquid in the most various fields of industrial activities.

The range of HMP-N/S pumps offers flow rates up to 80 m<sup>3</sup>/h (352 US gpm) and a discharge head up to 80 mcl (262 ft).

### Construction

The hydraulic part is manufactured of thick-walled plastic material.

None metal component is in contact with the pumped liquid.

### Sealing

HMP-N/S pumps can be equipped with different mechanical seals accordingly to pumped fluid:

- **Single acting mechanical seal.**
- **Double acting mechanical seal.**



### Construction

- > Polypropylene PP or PP-EL
- > Polyethylene PE-HD or PE-EL
- > PVC
- > PVDF or PVDF-EL
- > PTFE or PTFE-EL
- > PFA or PFA-EL

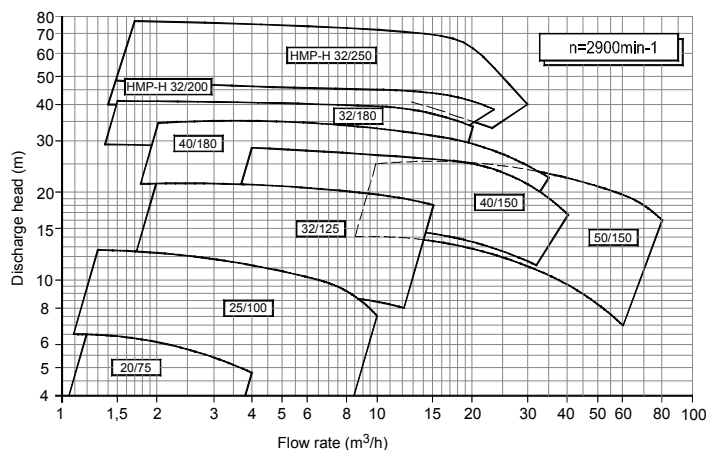
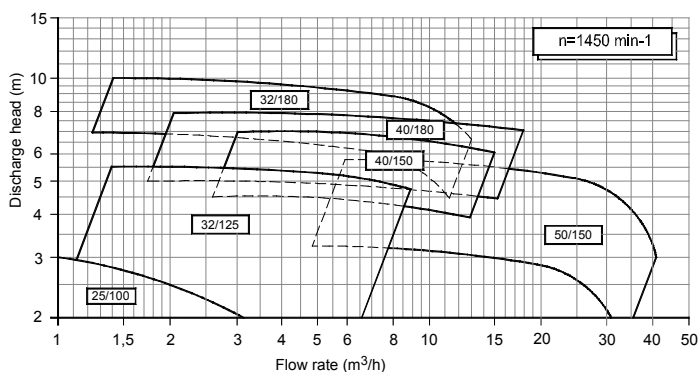
### ATEX conformity



For the EC zone the HMP-N/S pumps are available certified as per ATEX 94/9/CE.

**Voluntary certification INERIS 04 ATEX 3008X.**

### Diagrams

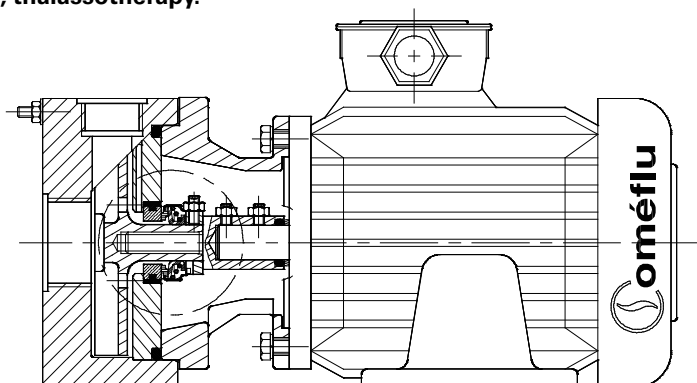


### Application fields

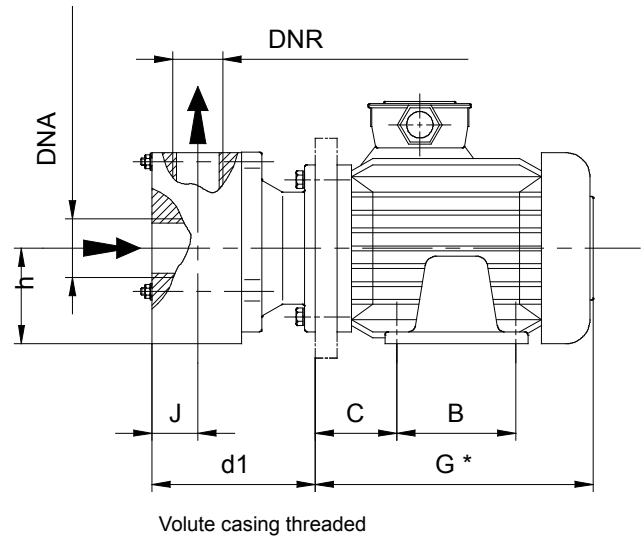
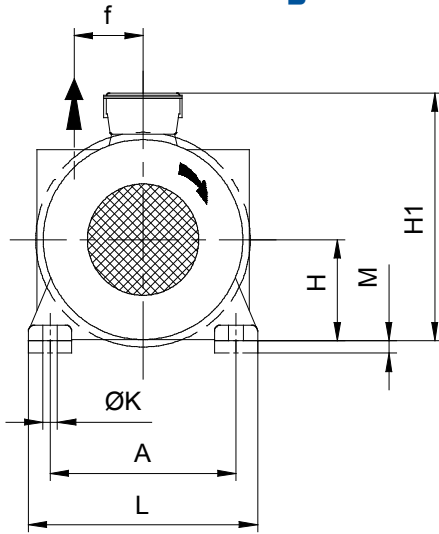
- Transfer of clear corrosive liquid or lightly charged.
- Effluents transfer.
- Scrubbers.
- Electroplating bath.
- Sea water, aquariums, thalassotherapy.

### Main advantages

- Reliability and robustness due to the design with massive machined parts.
- Motors normalized as per IEC standards.
- Simplified maintenance..



**Dimensional drawing**

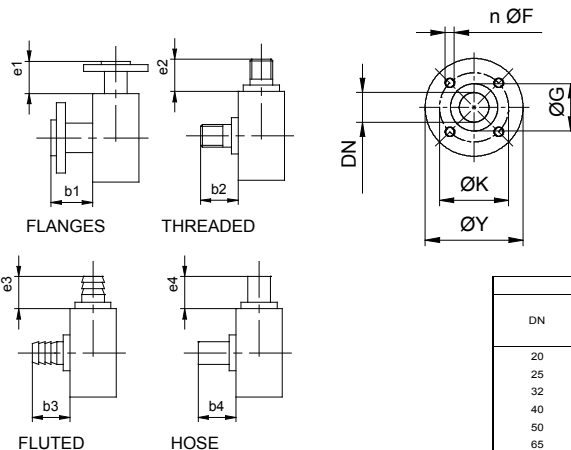


Pump installation is made by the motor's fastening  
 Attention: If  $h < H$ , install shims under motor foot

Types	Flanges		2900 kW	1450 kW	Motors 3 phases - IP55										Pump and motor weight	Motors dimensions										MS E3**	MS E8**		
	DN A	DN R			A	B	C	G*	H	H1*	K	L	M	b1		b2	b3	b4	e1	e2	e3	e4	f	j	h			d1	d1
	20/75	25			20	0,45		100	80	40	183	63	170	7		115	10	8	50	40	50	34	45	35	45			30	26
25/100	32	25	0,45		100	80	40	172	63	154	7	115	10	8	55	45	55	34	50	40	50	34	40	41	68	127,5	169		
	-	-	1,1		125	100	50	215	80	203	9	157	0	12	-	-	-	-	-	-	-	-	-	-	-	137,5	169		
32/125	40	32	1,1	0,75	125	100	50	215	80	203	9	157	0	16	60	50	60	40	55	45	55	34	52	38,5	80	137	169,5		
	-	-	2,2		140	125	56	245	90	223	10	172	0	20	-	-	-	-	-	-	-	-	-	-	-	152	184,5		
32/180	40	32	2,2		140	125	56	245	90	223	10	172	25	28	60	50	60	40	55	45	55	34	80	48	115	192	225		
	-	-	3		160	140	63	290	100	238	12	196	15	30	-	-	-	-	-	-	-	-	-	-	-	182	215		
	-	-	4		190	-	70	-	112	250	-	220	5	37	-	-	-	-	-	-	-	-	-	-	-	-	-		
40/150	50	40	2,2	1,1	140	125	56	245	90	223	10	172	10	19	60	60	100	47	60	50	60	40	60	39	97,5	183	216		
	-	-	3		160	140	63	290	100	238	12	196	0	22	-	-	-	-	-	-	-	-	-	-	-	173	206		
	-	-	4		190	-	70	-	112	250	-	220	0	29	-	-	-	-	-	-	-	-	-	-	-	-	-		
	-	-	5,5		216	-	89	350	132	280	-	250	20	40	-	-	-	-	-	-	-	-	-	-	-	201	234		
40/180	65	40	3	1,1	140	100	56	218	90	223	10	172	0	65	65				60							77	45		
	-	-	4		160	140	63	290	100	238	12	196	35	38	-	-	-	-	-	-	-	-	-	-	-	135	196,5		
	-	-	5,5		190	-	70	-	112	250	-	220	25	45	-	-	-	-	-	-	-	-	-	-	-	-	-		
	-	-	7,5		216	-	89	350	132	280	-	250	20	56	-	-	-	-	-	-	-	-	-	-	-	224,5	224,5		
	-	-	7,5		216	-	89	350	132	280	-	250	20	67	-	-	-	-	-	-	-	-	-	-	-	-	-		
50/150	65	50	3	2,2	160	140	63	290	100	238	12	196	0	37	100				60							55	50		
	-	-	4		190	-	70	-	112	250	-	220	0	44	-	-	-	-	-	-	-	-	-	-	-	-	193		
	-	-	5,5		216	-	89	350	132	280	-	250	20	55	-	-	-	-	-	-	-	-	-	-	-	-	221		
	-	-	7,5		216	-	89	350	132	280	-	250	20	66	-	-	-	-	-	-	-	-	-	-	-	-	254		
32/200***	40	32	2,2		140	125	56	245	90	223	10	172	30	36	83	83	93	73	55	45	55	34	88	52	120	146	146		
	-	-	3		160	140	63	290	100	238	12	196	20	40	-	-	-	-	-	-	-	-	-	-	-	-	136		
	-	-	4		190	-	70	-	112	250	-	220	10	42	-	-	-	-	-	-	-	-	-	-	-	-	136		
	-	-	5,5		216	-	89	350	132	280	-	250	20	52,5	-	-	-	-	-	-	-	-	-	-	-	-	164		
	-	-	7,5		216	-	89	350	132	280	-	250	20	59	-	-	-	-	-	-	-	-	-	-	-	-	164		
32/250***	40	32	3		160	140	63	290	100	238	12	196	50	45	60	50	60	40	55	45	55	34	113	52	150	136	136		
	-	-	4		190	-	70	-	112	250	-	220	40	47	-	-	-	-	-	-	-	-	-	-	-	-	-		
	-	-	5,5		216	-	89	350	132	280	-	250	20	57,5	-	-	-	-	-	-	-	-	-	-	-	-	164		
	-	-	7,5		216	-	89	350	132	280	-	250	20	64	-	-	-	-	-	-	-	-	-	-	-	-	164		

\*\*MS: sealing mechanical seal  
 \*\*\*Types HMP-H  
 \*ATTENTION: subject to change depending on manufacturers. Weight pump+motor

**Connections**



Pump	Volute casing threaded		Threaded connections	
	Suction	Discharge	Suction	Discharge
20/75	3/4"	3/4"	1"	3/4"
25/100	1"	3/4"	1 1/4"	1"
32/125	1 1/2"	1"	1 1/2"	1 1/4"
32/180	1 1/2"	1"	1 1/2"	1 1/4"
40/150	2"	1 1/2"	2"	1 1/2"
40/180	2 1/2"	1 1/2"	2 1/2"	1 1/2"
50/150	3"	2"	2 1/2"	2"
32/200	1 1/2"	1 1/4"	1 1/2"	1 1/4"
32/250	1 1/2"	1 1/4"	1 1/2"	1 1/4"

DN	Flanges ISO PN16			Connections		
	nØF	ØK	ØY	BSP threaded	Fluted diameter for soft pipes	Hose diameters for PVC pipes
20	4014	75	105	3/4"	20	25
25	4014	85	115	1"	25	32
32	4014	100	140	1 1/4"	30	40
40	4018	110	150	1 1/2"	-	50
50	4018	125	165	2"	-	63
65	4018	145	185	2 1/2"	-	75

FP 13.02 EN