

Generalities

HMP-TS close coupled pumps come from HMP-N/S range, and use their hydraulic parts.

2 models are proposed:

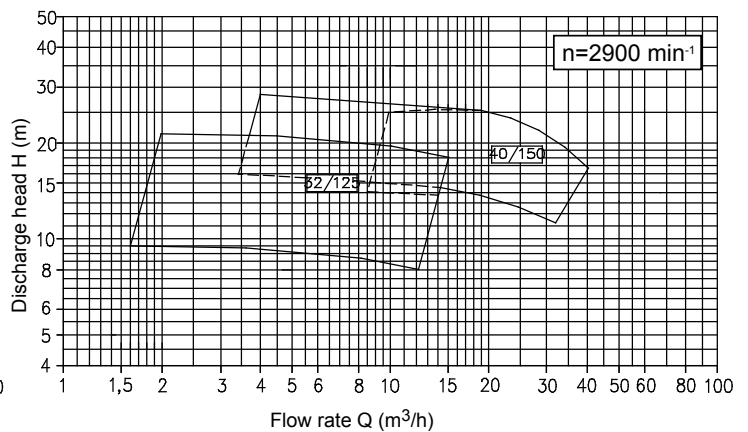
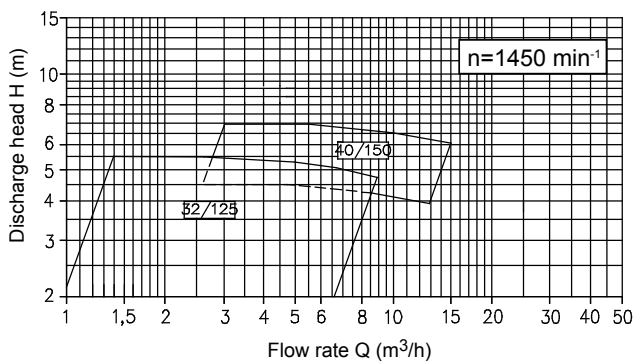
- HMP-TS 32/125
- HMP-TS 40/150

Construction

The hydraulic part is entirely realized of thick walled plastic materials.



Diagrams

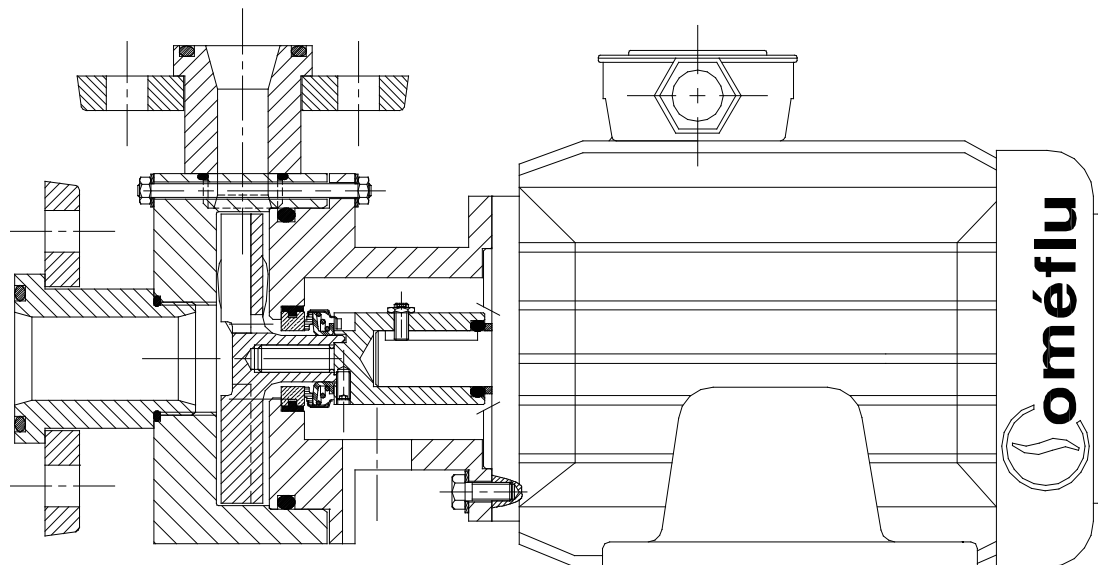


Application fields

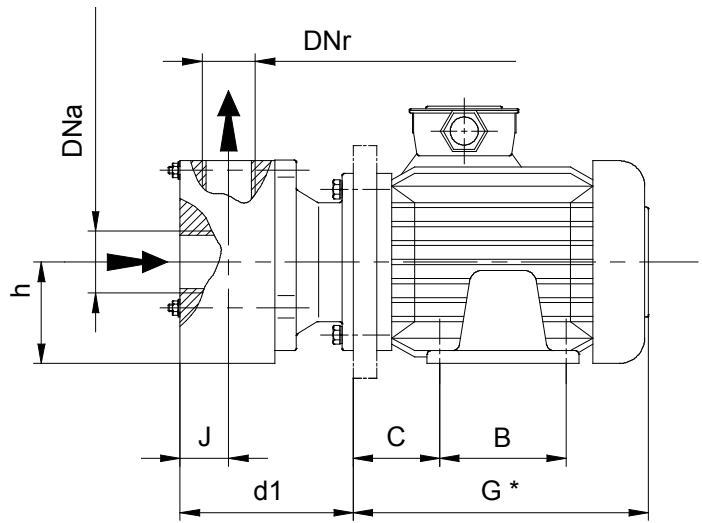
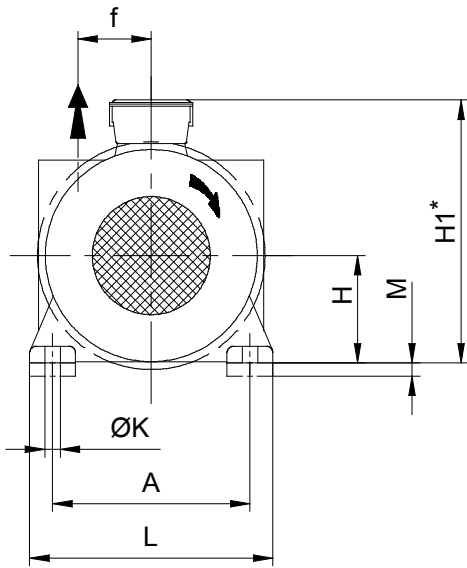
- Transfert of clear or lightly charged corrosive liquid.
- Effluents transfert.
- Scrubbers.
- Electroplating baths.
- Sea water, aquariums, thalassotherapy.

Main advantages

- Reliability and robustness due to the design with massive machined parts.
- Motors normalized as per IEC standards.
- Simplified maintenance.
- Very attractive price of pumps.



Dimensional drawing



Casing drillings

Pump installation is made by the motor's fastening
 Attention: If $h < H$, install shims under motor foot

| Pump | Suction | | Discharge | |
|--------|---------|----------|-----------|----------|
| | 32/125 | 1" 1/2 | (49) BSP | 1" |
| 40/150 | 2" | (60) BSP | 1" 1/2 | (49) BSP |

$n = 2900 \text{ min}^{-1}$

| Types | Flanges | | P kW | Motors 3 phases - IP55 | | | | | | | | | Pump weight | Pumps dimensions | | | | | | | | | | | MS E3** | |
|--------|---------|------|---------|------------------------|-----|----|-----|-----|-----|----|-----|---|-------------|------------------|----|-----|----|----|----|----|----|----|------|------|---------|-----|
| | DN A | DN R | | Motors dimensions | | | | | | | | | | b1 | b2 | b3 | b4 | e1 | e2 | e3 | e4 | f | j | h | d1 | |
| | | | | A | B | C | G* | H | H1* | K | L | M | | | | | | | | | | | | | | |
| 32/125 | 40 | 32 | 1,1 | 125 | 100 | 50 | 215 | 80 | 203 | 9 | 157 | 0 | 16 | 60 | 50 | 60 | 40 | 55 | 45 | 55 | 34 | 52 | 38,5 | 80 | 131 | |
| | " | " | 2,2 | 140 | 125 | 56 | 245 | 90 | 223 | 10 | 172 | " | 20 | " | " | " | " | " | " | " | " | " | " | " | " | 146 |
| 40/150 | 50 | 40 | 2,2 | " | " | " | " | " | " | " | " | " | 19 | 60 | 60 | 100 | 47 | 60 | 50 | 60 | 40 | 60 | 39 | 97,5 | 146 | |
| | " | " | 4 | 160 | 140 | 63 | 290 | 100 | 238 | 12 | 196 | " | 22 | " | " | " | " | " | " | " | " | " | " | " | " | 156 |
| | | | | 190 | | 70 | | 112 | | | 220 | " | 29 | | | | | | | | | | | | | |

**MS: sealing mechanical seal

$n = 1450 \text{ min}^{-1}$

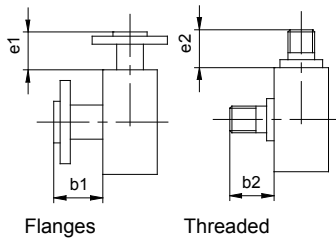
| Types | Flanges | | P kW | Motors 3 phases - IP55 | | | | | | | | | Pump weight | Pumps dimensions | | | | | | | | | | | MS E3** | |
|--------|---------|------|---------|------------------------|-----|----|-----|----|-----|----|-----|---|-------------|------------------|----|-----|----|----|----|----|----|----|------|------|---------|--|
| | DN A | DN R | | Motors dimensions | | | | | | | | | | b1 | b2 | b3 | b4 | e1 | e2 | e3 | e4 | f | j | h | d1 | |
| | | | | A | B | C | G* | H | H1* | K | L | M | | | | | | | | | | | | | | |
| 32/125 | 40 | 32 | 0,75 | 125 | 100 | 50 | 215 | 80 | 203 | 9 | 157 | 0 | 16 | 60 | 50 | 60 | 40 | 55 | 45 | 55 | 34 | 52 | 38,5 | 80 | 131 | |
| 40/150 | 50 | 40 | 1,1 | 140 | " | 56 | 218 | 90 | 223 | 10 | 172 | 0 | 19 | 60 | 60 | 100 | 47 | 60 | 50 | 60 | 40 | 60 | 39 | 97,5 | 146 | |

**MS: sealing mechanical seal

Dimensions in mm (subject to change)

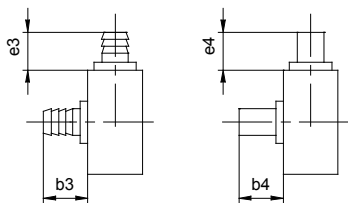
*ATTENTION: subject to change depending on manufacturers. Weight pump+motor

Connections



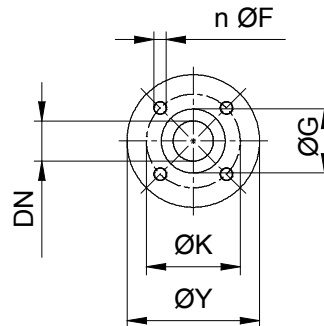
Flanges

Threaded



Fluted

Hose



| DN | Flanges ISO PN16 | | | Connections | | |
|----|------------------|-----|-----|--------------|--------------------------------|------------------------------|
| | nØF | ØK | ØY | BSP threaded | Fluted diameter for soft pipes | Hose diameters for PVC pipes |
| 32 | 4Ø14 | 100 | 140 | 1" 1/4 | 30 | 40 |
| 40 | 4Ø18 | 110 | 150 | 1" 1/2 | - | 50 |
| 50 | 4Ø18 | 125 | 165 | 2" | - | 63 |

FP 13.11 EN