

**Generalities**

The vertical, single stage centrifugal pumps of VCP-M, VLP-M and VLP-A range are intended for the pumping of clear or lightly charged liquids in the most various industrial applications.

Depending of installation required, vertical SOMEFLU pumps will fit your needs:

VCP-M lenght under base plate 400 mm.

VLP-M lenght under base plate 500 to 700 mm depending on model.

VLP-A lenght under base plate 500 to 700 mm depending on model.

VCP-M VLP-M VLP-A pumps offer flow rates up to 60 m<sup>3</sup>/h (264 US gpm) and discharge head up to 45 mcl (147 ft).

For flows up to 250 m<sup>3</sup>/h (1100 US gpm) and 2 m lenght under base plate, see our VP range.

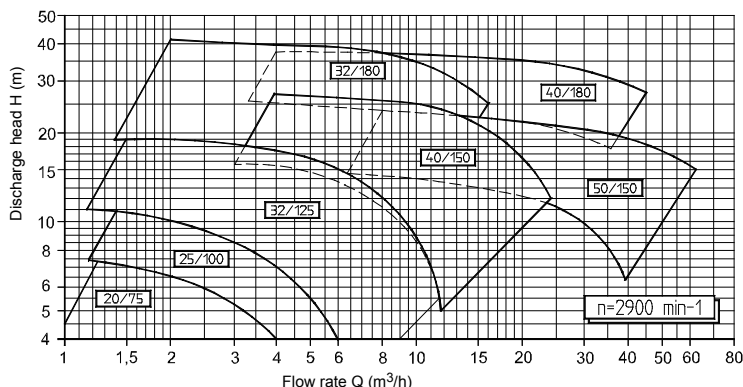
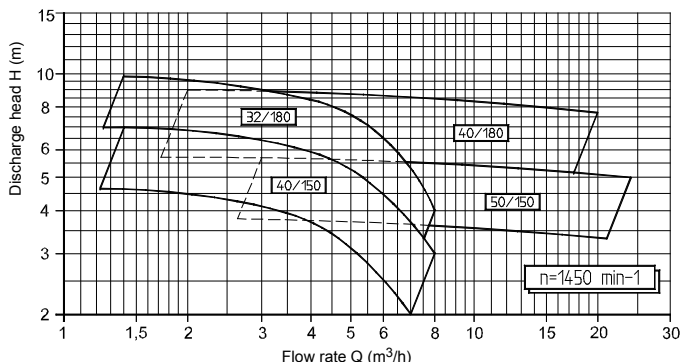


**ATEX Conformity** 

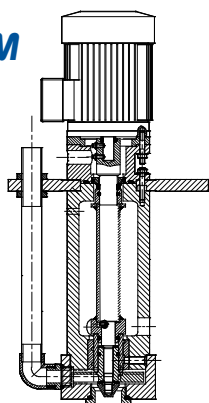
For the EC zone, all our ranges are available in ATEX.

**Voluntary certification INERIS 06 ATEX 3008X.**

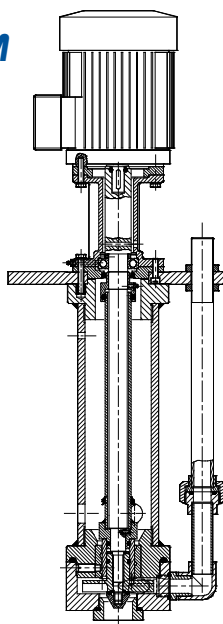
**Diagrams**



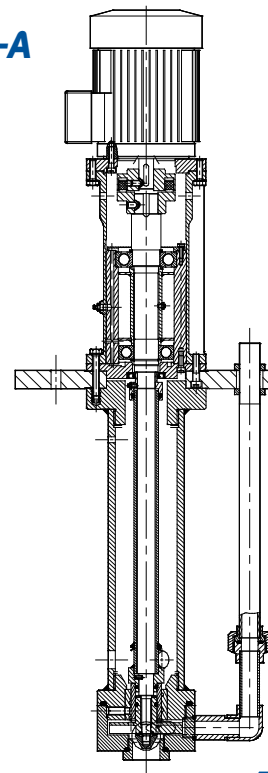
**VCP-M**



**VLP-M**



**VLP-A**



**Construction**

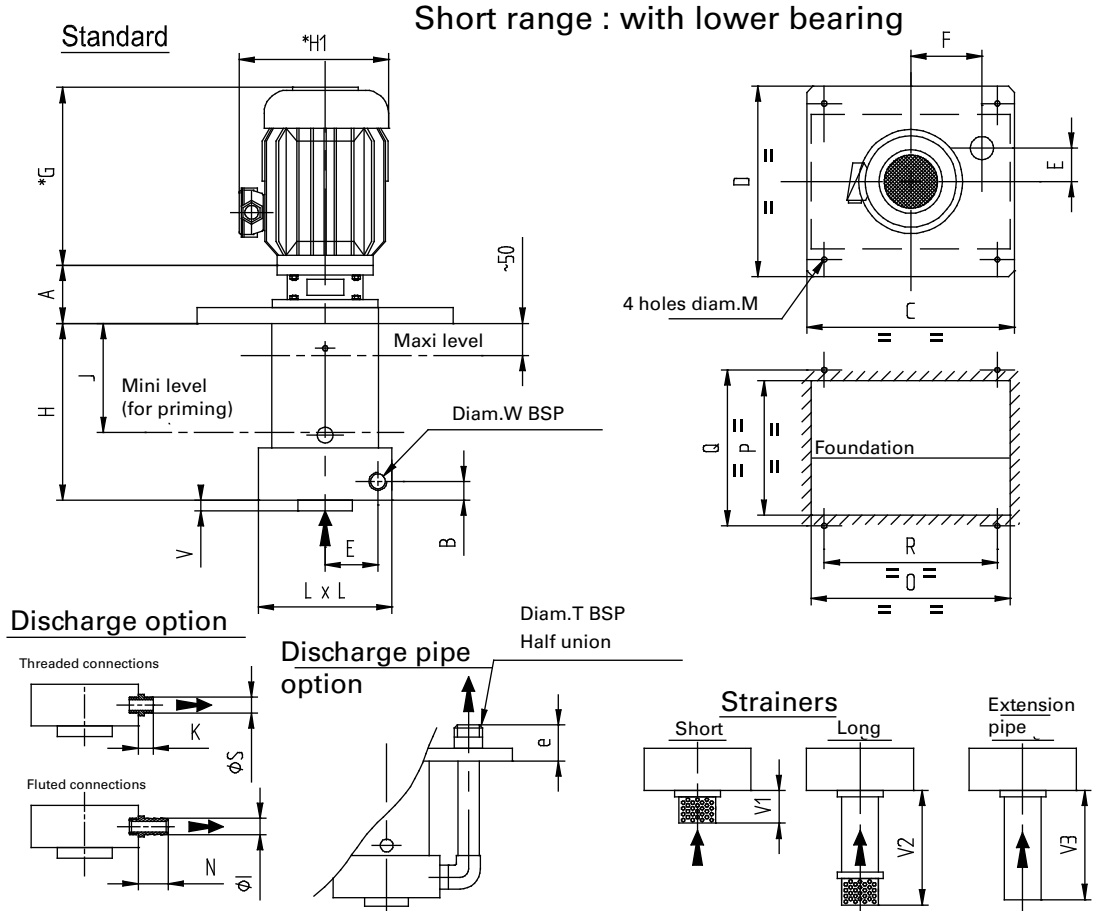
The hydraulic part is entirely realized of thick walled machined plastic material.

There is no metallic component in contact with the liquid pumped.

> PP or PP-EL

> PVDF or PVDF-EL

**VCP-M**



| Types                          | P<br>in<br>Kw | Motors 3 phases IP55 |     | Weight in kg |     | Motors 3 phases ATEX |       | Weight in kg |      | Pumps dimensions |     |      |     |     |     |     |    |    |    |     |     |     | Weight in kg Pump | Foundation |    |    |    | Options |    |   |  |  |
|--------------------------------|---------------|----------------------|-----|--------------|-----|----------------------|-------|--------------|------|------------------|-----|------|-----|-----|-----|-----|----|----|----|-----|-----|-----|-------------------|------------|----|----|----|---------|----|---|--|--|
|                                |               | *G                   | *H1 | Motor        | *G  | *H1                  | Motor | A            | B    | C                | D   | E    | F   | H   | J   | L   | M  | V  | W  | O   | P   | Q   |                   | R          | I  | N  | S  | K       | T  | e |  |  |
|                                |               |                      |     |              |     |                      |       |              |      |                  |     |      |     |     |     |     |    |    |    |     |     |     |                   |            |    |    |    |         |    |   |  |  |
| 25/100                         | 0,45          | 172                  | 156 | 6            | 217 | 157                  | 16    | 75           | 34,5 | 300              | 300 | 40   | 112 | 400 | 280 | 136 | 12 | 10 | 27 | 280 | 200 | 233 | 233               | 27         | 50 | 27 | 25 | 1"1/4   | 28 |   |  |  |
|                                | 1,1           | 215                  | 208 | 9,7          | 273 | 256                  | 24    | 92           | 37   | 330              | 330 | 52,5 | 130 | 400 | 280 | 160 | 12 | 15 | 34 | 320 | 250 | 283 | 283               | 34         | 55 | 34 | 25 | 1"1/2   | 30 |   |  |  |
|                                | 2,2           | 245                  | 228 | 16           | 314 | 269                  | 35    | "            | "    | "                | "   | "    | "   | "   | "   | "   | "  | "  | "  | "   | "   | "   | "                 | "          | "  | "  | "  | "       | "  | " |  |  |
| 32/125                         | 3             | 290                  | 238 | 20           | 355 | 298                  | 45    | "            | "    | "                | "   | "    | "   | "   | "   | "   | "  | "  | "  | "   | "   | "   | "                 | "          | "  | "  | "  | "       | "  | " |  |  |
|                                | 4             | 290                  | 238 | 22           | 363 | 308                  | 53    | 97           | 45,5 | 480              | 400 | 80   | 170 | 400 | 260 | 225 | 16 | 15 | 34 | 400 | 280 | 320 | 400               |            |    | 34 | 25 | 1"1/2   | 30 |   |  |  |
| 32/180                         | 5,5           | 350                  | 265 | 32,5         | 549 | 411                  | 95    | 115          | "    | "                | "   | "    | "   | "   | "   | "   | "  | "  | "  | 400 | 280 | 320 | 400               |            |    |    |    |         |    |   |  |  |
|                                | 4             | 290                  | 238 | 20           | 355 | 298                  | 45    | 97           | 35   | 390              | 390 | 60   | 155 | 400 | 260 | 195 | 16 | 15 | 42 | 380 | 265 | 297 | 297               |            |    | 42 | 28 | 2"      | 34 |   |  |  |
| 40/150                         | 3             | 290                  | 238 | 20           | 355 | 298                  | 45    | 97           | 35   | 390              | 390 | 60   | 155 | 400 | 260 | 195 | 16 | 15 | 42 | 380 | 265 | 297 | 297               |            |    | 42 | 28 | 2"      | 34 |   |  |  |
|                                | 4             | 290                  | 238 | 20           | 355 | 298                  | 45    | 97           | 35   | 390              | 390 | 60   | 155 | 400 | 260 | 195 | 16 | 15 | 42 | 380 | 265 | 297 | 297               |            |    | 42 | 28 | 2"      | 34 |   |  |  |
| 40/180                         | 5,5           | 350                  | 265 | 32,5         | 549 | 411                  | 95    | 125          | 47,5 | 480              | 440 | 77   | 192 | 400 | 260 | 250 | 16 | 18 | 49 | 460 | 310 | 360 | 400               |            |    | 49 | 28 | 1"1/2   | 30 |   |  |  |
|                                | 7,5           | "                    | "   | 39           | "   | "                    | 100   | "            | "    | "                | "   | "    | "   | "   | "   | "   | "  | "  | "  | 460 | 310 | 360 | 400               |            |    | 49 | 28 | 1"1/2   | 30 |   |  |  |
| 50/150                         | 5,5           | 350                  | 265 | 32,5         | 549 | 411                  | 95    | 115          | 47,5 | 480              | 400 | 57,5 | 192 | 422 | 260 | 220 | 16 | 18 | 60 | 470 | 280 | 320 | "                 |            |    | 60 | 40 | 2"3/4   | 47 |   |  |  |
|                                | 7,5           | "                    | 39  | "            | "   | "                    | 100   | "            | "    | "                | "   | "    | "   | "   | "   | "   | "  | "  | "  | 470 | 280 | 320 | "                 |            |    | 60 | 40 | 2"3/4   | 47 |   |  |  |
| <b>n=1450 min<sup>-1</sup></b> |               |                      |     |              |     |                      |       |              |      |                  |     |      |     |     |     |     |    |    |    |     |     |     |                   |            |    |    |    |         |    |   |  |  |
| 32/180                         | 1,1           | 245                  | 228 | 16           | 314 | 269                  | 35    | 97           | 45,5 | 480              | 400 | 80   | 170 | 400 | 260 | 225 | 16 | 15 | 34 | 400 | 280 | 320 | 400               |            |    | 34 | 25 | 1"1/2   | 30 |   |  |  |
|                                | 2,2           | 290                  | 238 | 20           | 355 | 298                  | 45    | "            | "    | "                | "   | "    | "   | "   | "   | "   | "  | "  | "  | 400 | 280 | 320 | 400               |            |    |    |    |         |    |   |  |  |
| 40/150                         | 2,2           | 290                  | 238 | 20           | 355 | 298                  | 45    | 97           | 35   | 390              | 390 | 60   | 155 | 400 | 260 | 195 | 16 | 15 | 42 | 380 | 265 | 297 | 297               |            |    | 42 | 28 | 2"      | 34 |   |  |  |
|                                | 3             | 290                  | 238 | 20           | 355 | 298                  | 45    | 125          | 47,5 | 480              | 440 | 77   | 192 | 400 | 260 | 250 | 16 | 18 | 49 | 460 | 310 | 360 | 400               |            |    | 49 | 28 | 1"1/2   | 30 |   |  |  |
| 50/150                         | 3             | 290                  | 238 | 20           | 355 | 298                  | 45    | 97           | 47,5 | 480              | 400 | 57,5 | 192 | 422 | 260 | 220 | 16 | 18 | 60 | 470 | 280 | 320 | "                 |            |    | 60 | 40 | 2"3/4   | 47 |   |  |  |
|                                | 3             | 290                  | 238 | 20           | 355 | 298                  | 45    | 97           | 47,5 | 480              | 400 | 57,5 | 192 | 422 | 260 | 220 | 16 | 18 | 60 | 470 | 280 | 320 | "                 |            |    | 60 | 40 | 2"3/4   | 47 |   |  |  |

\*G and H subject to change depending on manufacturers  
 \*\*Lenght on demand

Dimensions in mm (subject to change)

**Application fields**

- Surface treatment baths.
- Pickling baths recycling.
- Cleaning machines.
- Effluents pumping.
- Chemical cleaning.
- Scrubbers.

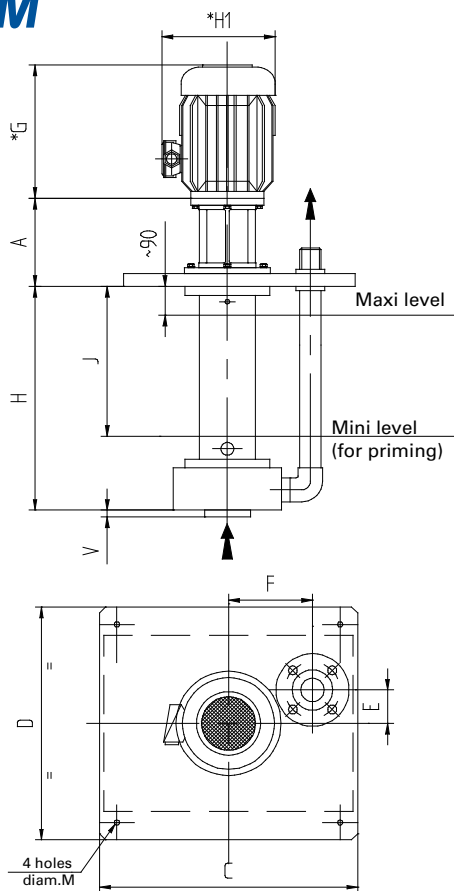
**Main advantages**

- Economical.
- Open impeller.
- Reduced dimensions.
- Motors normalized as per IEC standards.
- Delivered with base plate.

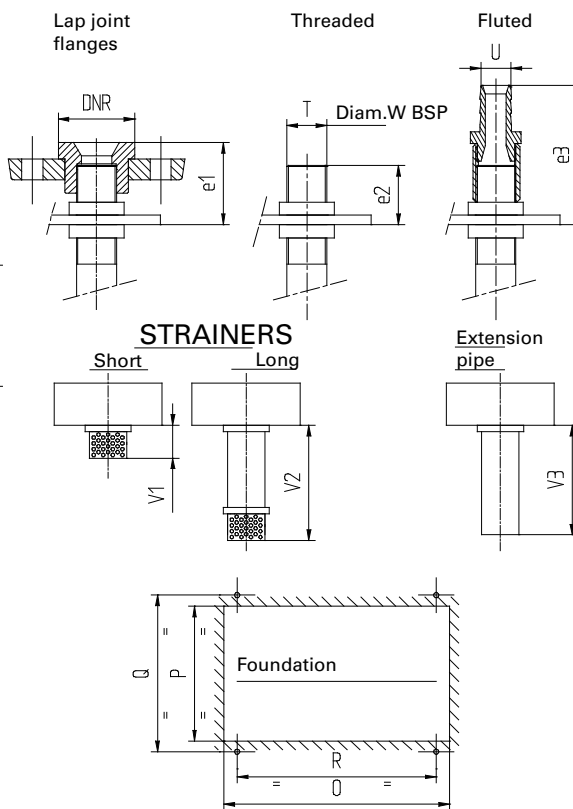
**Options :**

- Discharge pipe up to base plate.
- Strainer.
- Mounting on float.
- External mounting.

## VLP-M



### CONNECTIONS



n=2900 min<sup>-1</sup>

| Types  | P in Kw         | Threaded connections |    | Motors 3 phases IP55 |     | Weight in kg Motor | Motors 3 phases ATEX |     | Weight in kg Motor | Pumps dimensions |     |     |      |     |     |     |    |    |   | Weight in kg Pump | Foundation |     |     |     | Options |    |     |     |    |    |
|--------|-----------------|----------------------|----|----------------------|-----|--------------------|----------------------|-----|--------------------|------------------|-----|-----|------|-----|-----|-----|----|----|---|-------------------|------------|-----|-----|-----|---------|----|-----|-----|----|----|
|        |                 | T                    | e2 | *G                   | *H1 |                    | *G                   | *H1 |                    | A                | C   | D   | E    | F   | H   | J   | M  | V  | O |                   | P          | Q   | R   | DNR | e1      | U  | e3  | V1  | V2 | V3 |
| 25/75  | 0,45            | 3/4"                 | 64 | 172                  | 156 | 6                  | 217                  | 157 | 16                 | 145              | 300 | 300 | 40   | 112 | 505 | 380 | 12 | 10 |   | 280               | 200        | 233 | 233 | 25  | 73      | 21 | 132 | 40  | ** | ** |
| 25/100 | 0,45<br>1,1     | "                    | "  | "                    | "   | "                  | "                    | "   | "                  | "                | "   | "   | "    | "   | "   | "   | "  | "  | " | "                 | "          | "   | "   | "   | 78      | 27 | 137 | "   | ** | ** |
| 32/125 | 1,1<br>2,2<br>3 | 1"                   | 66 | "                    | "   | "                  | "                    | "   | "                  | 182              | 330 | 330 | 52,5 | 130 | 605 | 480 | "  | 15 |   | 320               | 250        | 283 | 283 | 32  | 84      | 32 | 145 | 50  | ** | ** |
| 32/180 | 4<br>5,5        | "                    | 68 | "                    | "   | 22                 | 363                  | 308 | 53                 | 196              | 480 | 400 | 80   | 160 | 711 | 570 | 16 | "  |   | 380               | 280        | 320 | 400 | "   | 87      | 32 | 147 | 70  | ** | ** |
| 40/150 | 3<br>4          | 1 1/4"               | "  | 290                  | 238 | 20                 | 314                  | 269 | 35                 | 196              | 390 | 390 | 60   | 155 | 700 | 570 | 16 | "  |   | "                 | 265        | 297 | 297 | 40  | 86      | 42 | 154 | 70  | ** | ** |
| 40/180 | 5,5<br>7,5      | 1 1/2"               | 92 | 350                  | 265 | 32,5               | 549                  | 411 | 95                 | 242              | 480 | 440 | 77   | 192 | 697 | 540 | 16 | 18 |   | 460               | 310        | 360 | 400 | "   | 110     |    |     | 150 | ** | ** |
| 50/150 | 5,5<br>7,5      | 2"                   | 90 | "                    | "   | 32,5               | "                    | "   | 95                 | 205              | "   | 400 | 57,5 | 192 | 723 | 570 | "  | "  |   | 470               | 280        | 320 | "   | 50  | 107     |    |     | "   | ** | ** |

n=1450 min<sup>-1</sup>

|        |            |        |    |            |            |          |            |            |          |     |     |     |      |     |     |     |    |    |  |     |     |     |     |    |     |    |     |     |    |    |
|--------|------------|--------|----|------------|------------|----------|------------|------------|----------|-----|-----|-----|------|-----|-----|-----|----|----|--|-----|-----|-----|-----|----|-----|----|-----|-----|----|----|
| 32/180 | 1,1<br>2,2 | 1"     | 68 | 245<br>290 | 228<br>238 | 16<br>20 | 314<br>355 | 269<br>298 | 35<br>45 | 196 | 480 | 400 | 80   | 160 | 711 | 570 | 16 | "  |  | 380 | 280 | 320 | 400 | 32 | 84  | 32 | 145 | 50  | ** | ** |
| 40/150 | 2,2        | 1 1/4" | "  | "          | "          | "        | "          | "          | "        | 196 | 390 | 390 | 60   | 155 | 700 | 570 | 16 | "  |  | "   | 265 | 297 | 297 | 40 | 86  | 42 | 154 | 70  | ** | ** |
| 40/180 | 3          | 1 1/2" | 92 | "          | "          | "        | "          | "          | "        | 242 | 480 | 440 | 77   | 192 | 697 | 540 | 16 | 18 |  | 460 | 310 | 360 | 400 | "  | 110 |    |     | 150 | ** | ** |
| 50/150 | 3          | 2"     | 90 | "          | "          | "        | "          | "          | "        | 205 | "   | 400 | 57,5 | 190 | 723 | 570 | "  | "  |  | 470 | 280 | 320 | "   | 50 | 107 |    |     | "   | ** | ** |

\*G and H subject to change depending on manufacturers  
 \*\*Length on demand

Dimensions in mm (subject to change)

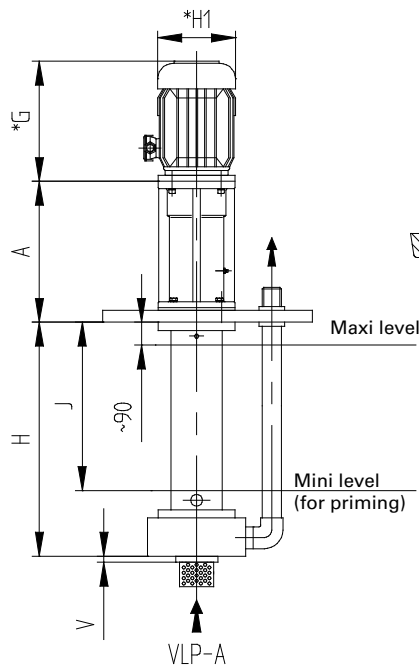
### Application fields

- Surface treatment baths.
- Pickling bath recycling.
- Cleaning machines.
- Effluents pumping.
- Chemical cleaning.
- Scrubbers.
- Pit or sump draining.

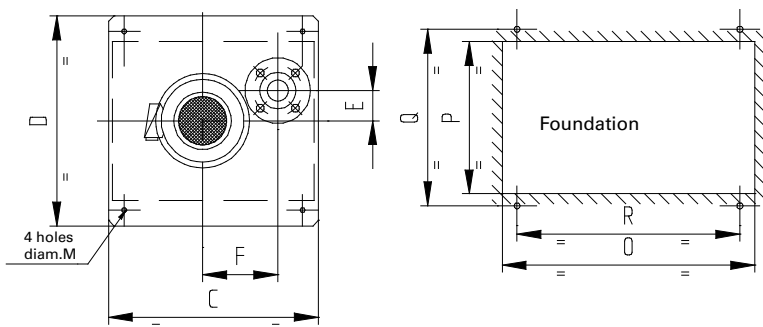
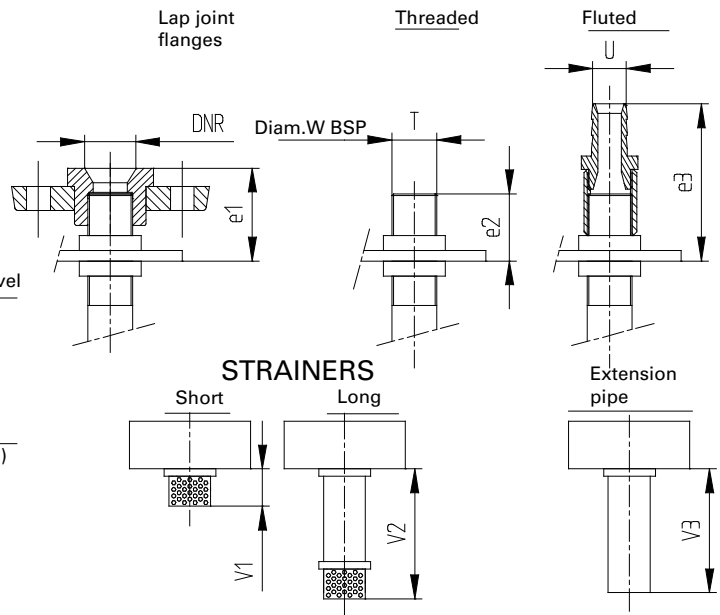
### Main advantages

- Open impeller for light charged liquids (pits).
- Motors normalized as per IEC standards.
- Ball bearing to take over axial efforts.
- Delivered with base plate, discharge pipe and strainer.

**VLP-A**



**CONNECTIONS**



n=2900 min<sup>-1</sup>

| Types  | P in Kw | Threaded connections |     | Motors 3 phases IP55 |     | Weight in kg Motor | Motors 3 phases ADF |     | Weight in kg Motor | Pumps dimensions |     |     |      |     |     |     |    |    |     | Weight in kg Pump | Foundation |     |     |     | Options |     |     |  |
|--------|---------|----------------------|-----|----------------------|-----|--------------------|---------------------|-----|--------------------|------------------|-----|-----|------|-----|-----|-----|----|----|-----|-------------------|------------|-----|-----|-----|---------|-----|-----|--|
|        |         | T                    | e2  | *G                   | *H1 |                    | *G                  | *H1 |                    | A                | C   | D   | E    | F   | H   | J   | M  | V  | O   |                   | P          | Q   | R   | DNR | e1      | U   | e3  |  |
| 32/125 | 1,1     | 1"                   | 74  | 245                  | 228 | 16                 | 314                 | 269 | 35                 | 369              | 430 | 390 | 52,5 | 170 | 596 | 470 | 16 | 15 |     | 420               | 265        | 297 | 297 | 32  | 93      | 32  | 153 |  |
|        | 2,2     | "                    | "   | 290                  | 238 | 20                 | 355                 | 298 | 45                 | 374              | 480 | 400 | 80   | 160 | 700 | 550 | "  | "  |     | 380               | 280        | 320 | 400 | "   | 98      | 32  | 158 |  |
|        | 3       | "                    | "   | 290                  | 238 | 20                 | 355                 | 298 | 45                 | 374              | 480 | 400 | 80   | 160 | 700 | 550 | "  | "  |     | 380               | 280        | 320 | 400 | "   | 98      | 32  | 158 |  |
| 32/180 | 4       | "                    | 79  | 350                  | 265 | 22                 | 363                 | 308 | 53                 | 374              | 480 | 400 | 80   | 160 | 700 | 550 | "  | "  |     | 380               | 280        | 320 | 400 | "   | 98      | 32  | 158 |  |
|        | 5,5     | "                    | "   | 350                  | 265 | 22                 | 363                 | 308 | 53                 | 374              | 480 | 400 | 80   | 160 | 700 | 550 | "  | "  |     | 380               | 280        | 320 | 400 | "   | 98      | 32  | 158 |  |
| 40/150 | 3       | 1"1/4                | 82  | 290                  | 238 | 20                 | 355                 | 298 | 45                 | 372              | 430 | 390 | 60   | 170 | 687 | "   | "  | "  | 420 | 265               | 297        | 297 | 40  | 100 | 42      | 168 |     |  |
|        | 4       | "                    | "   | 290                  | 238 | 20                 | 355                 | 298 | 45                 | 372              | 430 | 390 | 60   | 170 | 687 | "   | "  | "  | 420 | 265               | 297        | 297 | 40  | 100 | 42      | 168 |     |  |
| 40/180 | 5,5     | 1"1/2                | 90  | 350                  | 265 | 32,5               | 549                 | 411 | 95                 | 393              | 480 | 440 | 77   | 192 | 698 | 550 | "  | 18 | 460 | 310               | 360        | 400 | "   | 108 |         |     |     |  |
|        | 7,5     | "                    | "   | 350                  | 265 | 39                 | 549                 | 411 | 95                 | 393              | 480 | 440 | 77   | 192 | 698 | 550 | "  | 18 | 460 | 310               | 360        | 400 | "   | 108 |         |     |     |  |
| 50/150 | 5,5     | 2"                   | 120 | "                    | "   | 32,5               | "                   | "   | 95                 | 393              | "   | 400 | 57,5 | 192 | 710 | 550 | "  | "  | 470 | 280               | 320        | 400 | 50  | 120 |         |     |     |  |
|        | 7,5     | "                    | "   | "                    | "   | 39                 | "                   | "   | 100                | 393              | "   | 400 | 57,5 | 192 | 710 | 550 | "  | "  | 470 | 280               | 320        | 400 | 50  | 120 |         |     |     |  |

n=1450 min<sup>-1</sup>

|        |     |       |     |     |     |      |     |     |    |     |     |     |      |     |     |     |    |    |     |     |     |     |     |     |    |     |     |
|--------|-----|-------|-----|-----|-----|------|-----|-----|----|-----|-----|-----|------|-----|-----|-----|----|----|-----|-----|-----|-----|-----|-----|----|-----|-----|
| 32/180 | 1,1 | 1"    | 74  | 245 | 228 | 16   | 314 | 269 | 35 | 369 | 430 | 390 | 80   | 160 | 596 | 470 | 16 | 15 |     | 420 | 265 | 297 | 297 | 32  | 93 | 32  | 153 |
|        | 2,2 | "     | "   | 290 | 238 | 20   | 355 | 298 | 45 | 374 | 480 | 400 | 80   | 160 | 700 | 550 | "  | "  |     | 380 | 280 | 320 | 400 | "   | 98 | 32  | 158 |
| 40/150 | 2,2 | 1"1/4 | 82  | 290 | 238 | 20   | 355 | 298 | 45 | 372 | 430 | 390 | 60   | 170 | 687 | "   | "  | "  | 420 | 265 | 297 | 297 | 40  | 100 | 42 | 168 |     |
|        | 3   | 1"1/2 | 90  | 350 | 265 | 32,5 | 549 | 411 | 95 | 393 | 480 | 440 | 77   | 192 | 698 | 550 | "  | 18 | 460 | 310 | 360 | 400 | "   | 108 |    |     |     |
| 50/150 | 3   | 2"    | 120 | "   | "   | 32,5 | "   | "   | 95 | 393 | "   | 400 | 57,5 | 192 | 710 | 550 | "  | "  | 470 | 280 | 320 | 400 | 50  | 120 |    |     |     |
|        | 4   | "     | "   | 290 | 238 | 20   | 355 | 298 | 45 | 372 | 430 | 390 | 60   | 170 | 687 | "   | "  | "  | 420 | 265 | 297 | 297 | 40  | 100 | 42 | 168 |     |

\*G and H subject to change depending on manufacturers  
 \*\*Lenght on demand

Dimensions in mm (subject to change)

**Application Fields**

- Treatment surface baths.
- Pickling baths recycling.
- Cleaning machines.
- Effluents pumping.
- Chemical cleaning.
- Scrubbers.
- Pit or sump draining.

**Main advantages**

- Identical to VLP-M pump with possibility of dismantling the motor without dismantling the pump.
- Intensive utilisation.
- Open impeller for light charged fluid (pits)
- Motors normalized as per, IEC standards.
- Delivered with base plate, discharge pipe and strainer.

FP 18.01 EN