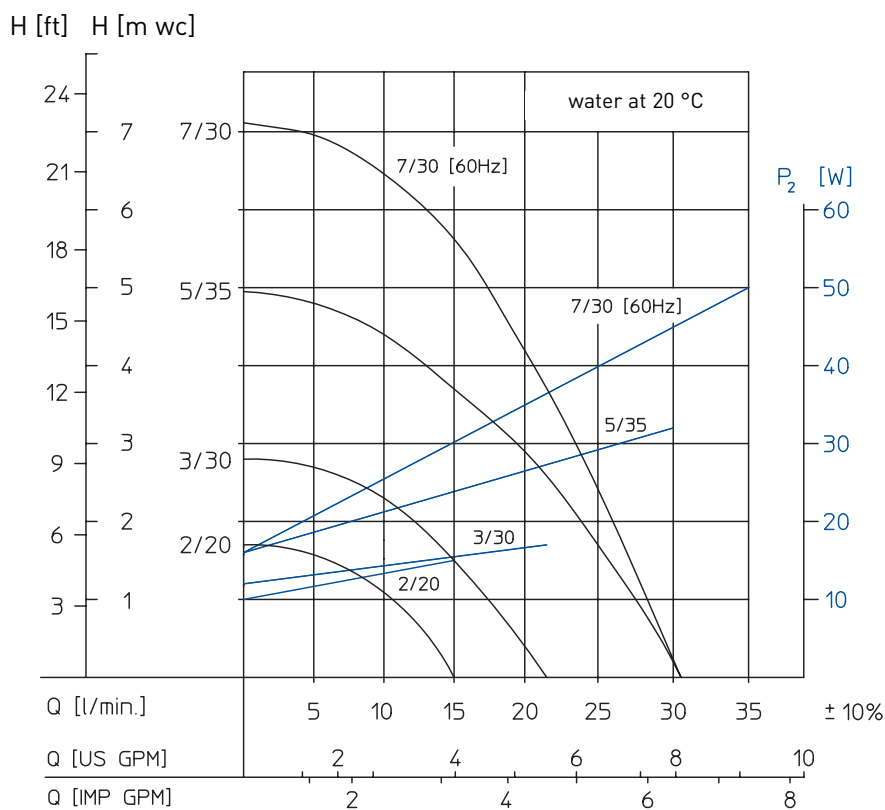




- Delivery rate up to 30 l/min
- Delivery head up to 7 m wc
- No shaft seal required
- For aggressive and neutral liquids
- Made of PP, PVDF and stainless steel
- Protection class IP 55
- ATEX design available

Magnetically coupled centrifugal pumps of type 1 are non-self-priming pumps that operate in horizontal position and are made in monobloc design. A magnetic coupling connects the pump to the motor and transmits the power of the motor to the impeller.

PERFORMANCE CHARTS:



STANDARD DESIGN:

Housing, impeller and impeller magnet coating are made of glass-fibre reinforced PP plastic or PVDF or stainless steel. Sleeve bearings, starting rings and centering shaft are made of 99.7% pure oxide ceramic, and the O-ring sealing of the housing is made of either FKM or EPDM. (See table on page 7 for other materials.)

Speed at 50 Hz = 2850 min⁻¹
 Speed at 60 Hz = 3420 min⁻¹

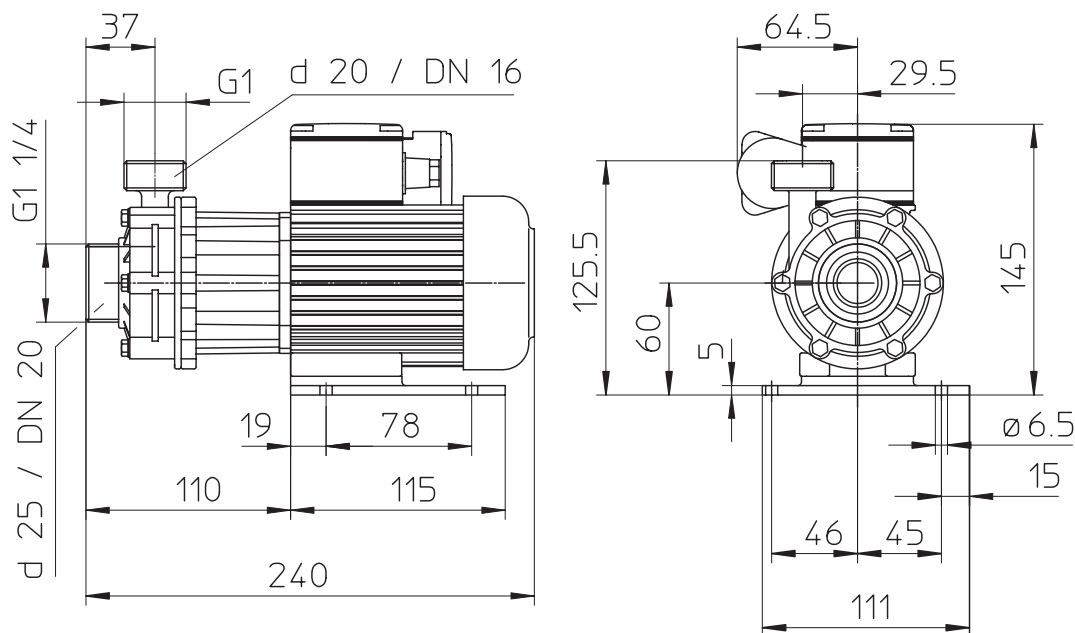
Please indicate the voltage and frequency desired when placing your order.



TECHNICAL DATA				
Size	2/20	3/30	5/35	7/30
Maximum delivery rate [l/min]	15	20	30	30
Maximum delivery head [m wc]	1.7	2.8	4.9	7.1
Maximum density [g/cm ³]*	1.85	1.5	1.3	1.25
Motor capacity P2 at 50 Hz [kW]	0.060	0.060	0.060	-
Motor capacity P2 at 60 Hz [kW]	0.072	0.072	0.072	0.072
Voltage**	230 V ac or 230/400 V three-phase current			
Current rating	0.7 A with alternating current or 0.5/0.29 A with three-phase current			
Protection class	hose-proof according to IP 55			
Ports	suction side G 1 1/4		discharge side G 1	
Recommended maximum flow rate	suction side 1 m/s		discharge side 3 m/s	
Material	PP	PVDF	stainless steel	
Maximum temperature	80 °C	95 °C	95 °C	
Maximum system pressure at 20 °C	1.0 bar	2.0 bar	8.0 bar	
Weight	2.7 kg	3.2 kg	3.4 kg	

* To deliver liquids with a higher relative density, we also offer all our pumps with smaller impeller diameters which, however, reduce delivery rates and heads of the pumps. If in doubt, please consult us.

**Other voltages or ATEX design available upon request.



Position of the terminal box: standard position is on top (if you need it mounted on the right or the left, please indicate when placing your order).

Position of the discharge port: vertical position is standard (differing positions at 12 x 30° are possible, please indicate when placing your order).