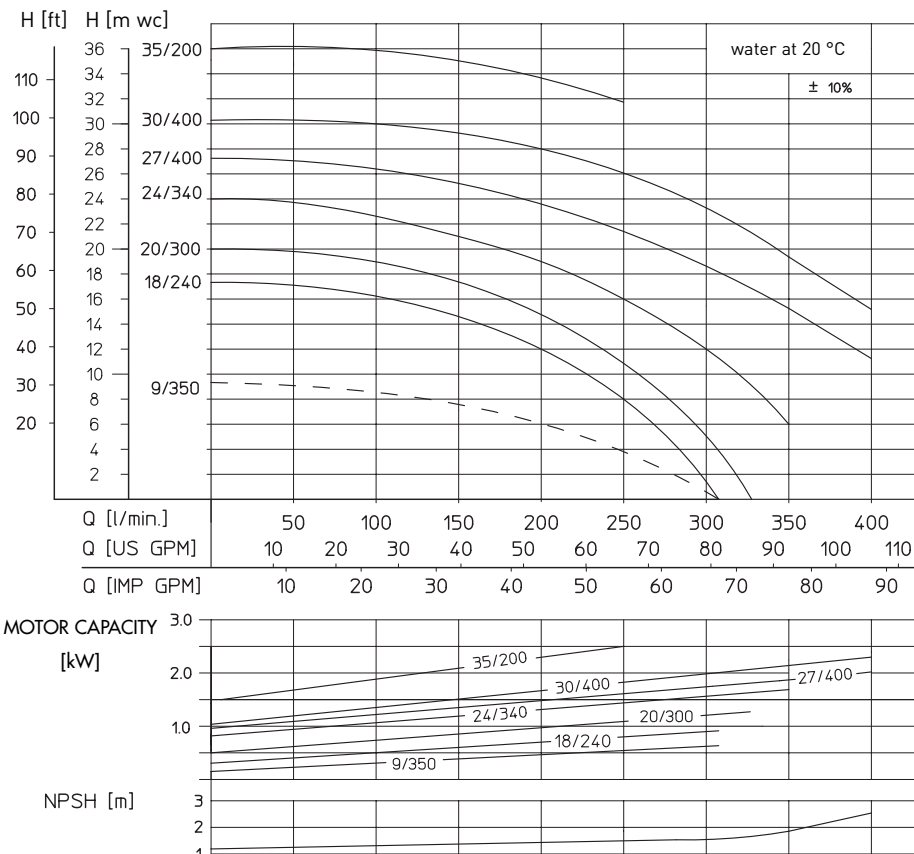




- Delivery rate up to 400 l/min
- Delivery head up to 36 m wc
- No shaft seal required
- For aggressive and neutral liquids
- Made of PP, PVDF and stainless steel
- Protection class IP 55
- ATEX design available

Magnetically coupled centrifugal pumps of type 4 are non-self-priming pumps that operate in horizontal position and are made in monobloc design. A magnetic coupling connects the pump to the motor and transmits the power of the motor to the impeller.

PERFORMANCE CHARTS:



STANDARD DESIGN:

Housing, impeller and impeller magnet coating are made of glass-fibre reinforced PP plastic or PVDF or stainless steel. Sleeve bearings, starting rings and centering shaft are made of 99.7 % pure oxide ceramic, and the O-ring sealing of the housing is made of either FKM or EPDM.

(See table on page 7 for other materials.)



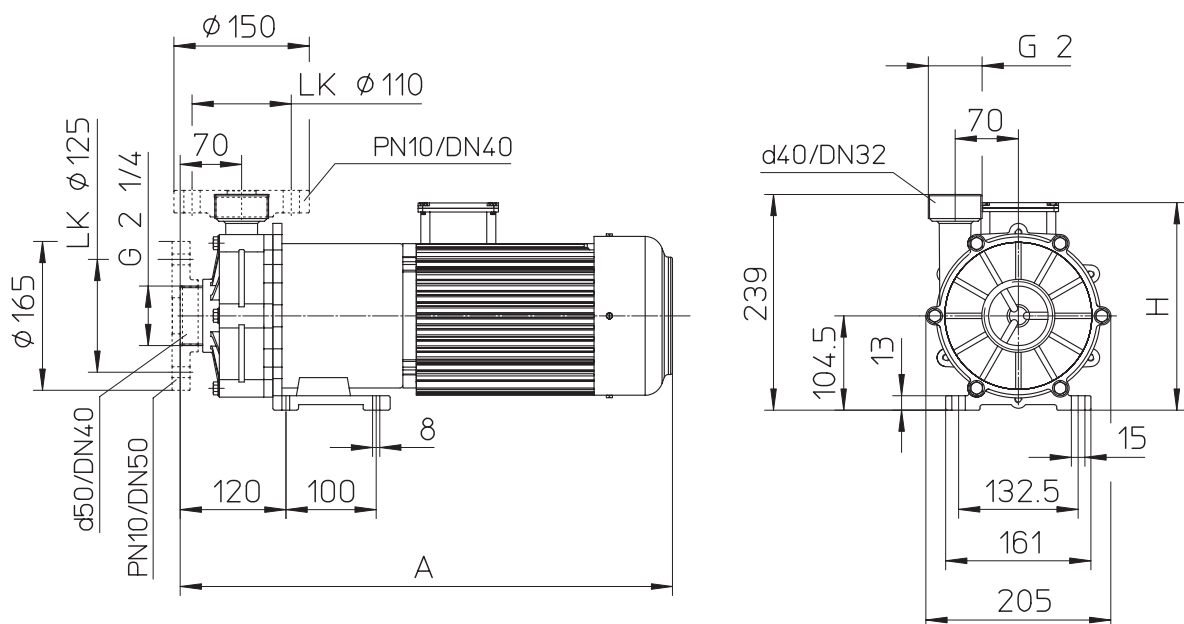
TECHNICAL DATA

Size	9/350	18/240		20/300		24/340		27/400			30/400		35/200		
Maximum delivery rate [l/min]	305	220	310	310	325		350		400			400		250	
Maximum delivery head [m wc]	9.0	17.5		20		24.0		27			30		36		
Maximum density [g/cm ³]*	1.4	1.0	1.3	1.5	1.0	1.3	1.0	1.4	1.1	1.5	1.8	1.15	1.85	1.1	1.5
Motor capacity P2 at 50 Hz [kW]	0.75	0.75	1.1	1.5	1.1	1.5	1.5	2.2	2.2	3.0	4.0	3.0	4.0	3.0	4.0
Motor capacity P2 at 60 Hz [kW]	0.9	0.9	1.32	1.8	1.32	1.8	1.8	2.64	2.64	3.6	4.8	3.6	4.8	3.6	4.8
Current rating (400 V) [A]	2.1	2.2	2.8	3.25	2.8	3.25	3.25	4.75	4.75	6.2	8.1	6.2	8.1	6.2	8.1
Rated speed at 50 Hz [min ⁻¹]	1450	2900		2900		2900		2900			2900		2900		
Rated speed at 60 Hz [min ⁻¹]	1750	3440		3440		3440		3440			3440		3440		
Dimension A [mm]	430	400	457	474	457	474	474	530	530	580	580	580	580	580	600
Dimension H [mm]	227	220	220	220	220	220	220	230	230	258	258	258	258	258	258
Weight (PP/PVDF approx.) [kg]	17.0	13.0	15.5	18.0	15.5	18.0	18.0	20.5	20.5	29.0	38.0	29.0	38.0	29.0	38.0

Voltage**	230 V ac or 230/400 V three-phase current		
Protection class	hose-proof according to IP 55		
Ports	suction side G 2 1/4		discharge side G 2
Recommended maximum flow rate	suction side 1 m/s		discharge side 3 m/s
Material	PP	PVDF	stainless steel
Maximum temperature	80 °C	95 °C	100 °C
Maximum system pressure at 20 °C	5.0 bar	6.0 bar	10.0 bar

* To deliver liquids with a higher relative density, we also offer all our pumps with smaller impeller diameters which, however, reduce delivery rates and heads of the pumps.

**Other voltages available upon request.



Position of the terminal box: standard position is on top (if you need it mounted on the right or the left, please indicate when placing your order).

Position of the discharge port: vertical position is standard (differing positions at 12 x 30° are possible, please indicate when placing your order).