

1/6 HP OIL-FREE SUBMERSIBLE THERMOPLASTIC UTILITY PUMP

blueangel[™] PUMPS

The Professional's Line



1
YEAR
Warranty

- **50 GPM @ 0'**
- **Corrosion-Resistant, Reinforced Thermoplastic Motor Housing, Volute and Impeller**
- **High Efficiency Oil-Free Motor**
- **1 - 1/4" NPS Discharge Connects to Flexible Discharge Hose for High Volume Water Removal**
- **3/4" Discharge Adapter Connects to Standard Garden Hose**
- **Bottom Suction Design Removes Water Down to 3/8" of Surface**
- **Easy-Access Handle for Complete Portability**
- **Designed to Perform in Applications Such as Draining Flooded Basements, Emptying Water Filled Boats and Removing Water from Sinks, Tubs, Stock Tanks, and Flat Roofs**

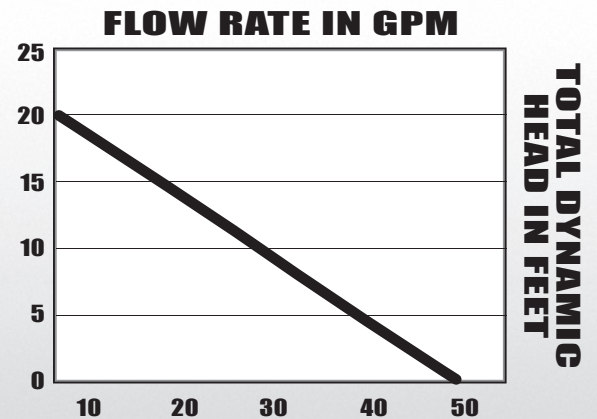
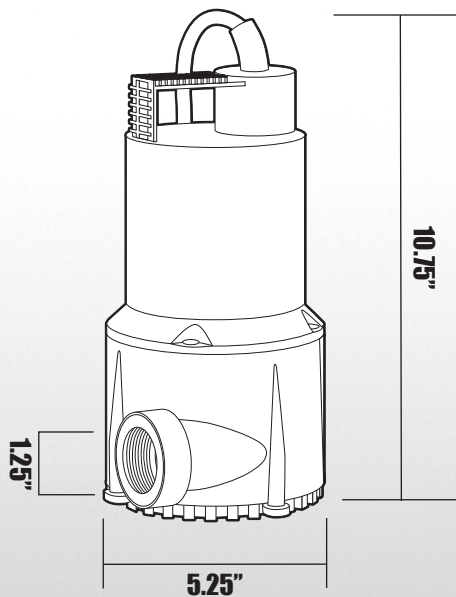
www.blueangelpumps.com

1/6 HP OIL-FREE SUBMERSIBLE THERMOPLASTIC UTILITY PUMP



BRUP160

- 9', SJTW Power Cord
- Non-Automatic
- Shipping Weight, 8 lbs
- 1 Year Warranty



MOTOR SPECIFICATIONS

MOTOR	RPM	VOLTS	AMPS	Hz
PSC	3000	120	2.5	60

PERFORMANCE

DISCHARGE HEAD	0'	5'	10'	15'
Gallons/Minute	50	43	31	15

FOR PUMP AND SYSTEM ACCESSORIES SEE ACCESSORIES SECTION
 BLUE ANGEL™ PUMPS • 101 Production Drive • Harrison, OH 45030 • 1-888-636-6628

© 2008 Blue Angel Pumps All Rights Reserved

